



Chipsmall Limited consists of a professional team with an average of over 10 year of expertise in the distribution of electronic components. Based in Hongkong, we have already established firm and mutual-benefit business relationships with customers from,Europe,America and south Asia,supplying obsolete and hard-to-find components to meet their specific needs.

With the principle of “Quality Parts,Customers Priority,Honest Operation,and Considerate Service”,our business mainly focus on the distribution of electronic components. Line cards we deal with include Microchip,ALPS,ROHM,Xilinx,Pulse,ON,Everlight and Freescale. Main products comprise IC,Modules,Potentiometer,IC Socket,Relay,Connector.Our parts cover such applications as commercial,industrial, and automotives areas.

We are looking forward to setting up business relationship with you and hope to provide you with the best service and solution. Let us make a better world for our industry!



## Contact us

Tel: +86-755-8981 8866 Fax: +86-755-8427 6832

Email & Skype: info@chipsmall.com Web: www.chipsmall.com

Address: A1208, Overseas Decoration Building, #122 Zhenhua RD., Futian, Shenzhen, China



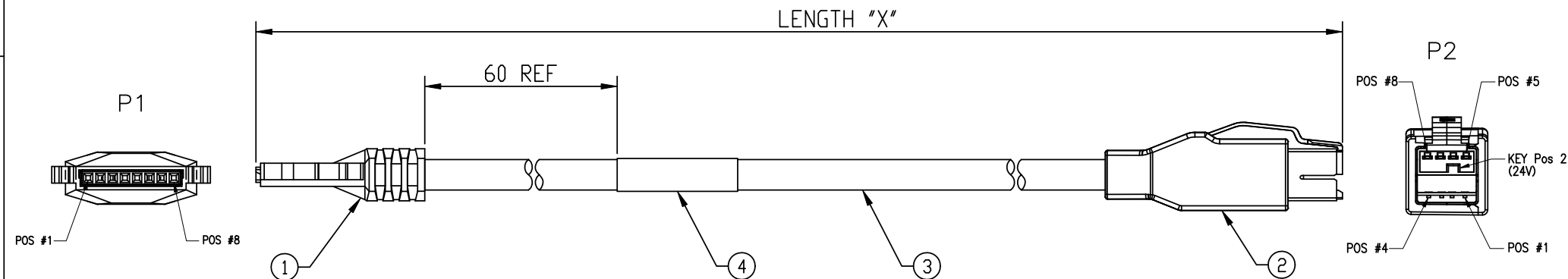
1

2

3

4

| FCI PART NO.       | POWER TYPE | LENGTH "X" |
|--------------------|------------|------------|
| 10083511-Z0050YYLF | 24V        | 500+25/-0  |
| 10083511-Z0100YYLF | 24V        | 1000±15    |
| 10083511-Z0300YYLF | 24V        | 3000±25    |
| 10083511-Z0500YYLF | 24V        | 5000±25    |



## PIN ASSIGNMENT

| P1    | SIGNAL NAME | WIRE COLOR | WIRE AWG | P2    |
|-------|-------------|------------|----------|-------|
| 6     | VBUS (+5V)  | RED        | 20       | 1     |
| 5     | DATA -      | WHITE      | 28       | 2     |
| 4     | DATA +      | GREEN      | 28       | 3     |
| 3     | GND         | BLACK      | 20       | 4     |
| 1     | 24V RETURN  | BLUE       | 20       | 5     |
| 2     | +24V        | BROWN      | 20       | 6     |
| 7     | +24V        | ORANGE     | 20       | 7     |
| 8     | 24V RETURN  | YELLOW     | 20       | 8     |
| SHELL | FRAME GND   | BRAID      |          | SHELL |

Mark with  
10075076001  
REV. proi\_revision  
in area indicated  
by X....

| rev | ecn no   | dr | date      |
|-----|----------|----|-----------|
| A   | N08-0120 | ST | 6/18/2008 |

TOLERANCES UNLESS OTHERWISE SPECIFIED

| LINEAR  |    |     |  |
|---------|----|-----|--|
| ANGULAR | 0° | ±2° |  |

| Material       | Spec ref          | spec_ref   | projection     | MM          |
|----------------|-------------------|--|----------------|-------------|
| Mat code       | surface           | tolerance  |                |             |
| Heattreat      | ISO 1302          | ISO 406<br>ISO 1101                                |                |             |
| Plating/Finish | Dr Sunny Tsai     | 11/7/2007  | size           | Scale       |
|                | Eng Sunny Tsai    | 11/7/2007  | A3             | -           |
|                | Chr Jackson Wang  | 11/7/2007  | Product family | CABLE ASS'Y |
|                | Appr Jackson Wang | 11/7/2007  | Model Name     | ECN         |
|                |                   |  | Model Revision | REL Level   |
| FCI            | title             | CABLE: USB+POWER(24V)<br>TO 1X8 LATCH-N-LOK (ROHS) |                | Rev.<br>A   |
| Pro/E file     | catalog no        | dwg no   | 10083511       |             |
|                |                   | CUSTOMER DWG                                       | sheet 1 of 2   |             |

REV F - 2006-04-17

2

3 PDM: Rev:A

STATUS Released

Printed: Jul 10, 2009

FCI CONFIDENTIAL



This document is the property of and embodies CONFIDENTIAL and PROPRIETARY information of FCI. No part of the information shown on this document may be used in any way or disclosed to others without the written consent of FCI. Copyright FCI.

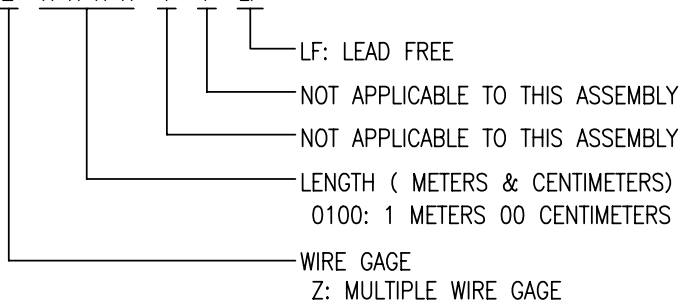
FCI PART NO. SEE SHEET 1

NOTES:

- 1. USB+POWER MATES WITH FCI PART NUMBER: 55917-6XXLF.  
1x8 LATCH-N-LOK MATES WITH FCI PART NUMBER: 69913-XXXLF.
- 2. UNLESS OTHERWISE SPECIFIED ASSEMBLED LENGTH TOLERANCE:  
=< 1 METER= ±15.0mm  
> 1 METER TO 10 METER= ±2% OF L1 OR L2  
> 10 METER= +0%/-4% OF L1 OR L2

3. PART NUMBER SCHEME FOR CABLE ASSEMBLY:

10083511 - Z X X X X Y Y LF



- 4. UNLESS OTHERWISE SPECIFIED LABEL POSITION SHALL BE APPROXIMATELY 60mm FROM REAR OF CONNECTOR.
- 5. UNLESS OTHERWISE SPECIFIED STANDARD LABEL SHALL BE BRADY LABEL P/N THT-10-427-30.

LABEL DETAILS:

|                    |     |                           |
|--------------------|-----|---------------------------|
| FCI                | --- | MANUFACTURER CODE OR NAME |
| 10083511-ZXXXXYYLF | --- | FCI P/N                   |
| REV.A              | --- | REVISION                  |
| WWYY               | --- | DATE CODE WWYY FORMAT     |
| MADE IN CHINA      | --- | COUNTRY ORIGIN            |

- 6. ALL CABLE ASSEMBLIES SHALL BE TESTED 100% FOR CONTINUITY AS DEFINED IN WIRING LIST.
- 7. UNLESS OTHERWISE SPECIFIED ALL CABLE ASSEMBLIES SHALL BE 100% HI-POT TESTED: DC 300V/10ms

8. OTHER ELECTRICAL SPECIFICATIONS:

- DIELECTRIC RESISTANCE: 50M Ohms MIN.
- CONNECTION RESISTANCE: 0.8 Ohms MAX. (-Z0050YYLF, 0.5MR LENGTH)  
1.2 Ohms MAX. (-Z0100YYLF, 1.0MR LENGTH)  
1.5 Ohms MAX. (-Z0300YYLF, 3.0MR LENGTH)  
1.8 Ohms MAX. (-Z0500YYLF, 5.0MR LENGTH)

- 9. THIS DIMENSION IS A FINISHED PRODUCT LENGTH.
- 10. LEAD FREE PRODUCTS MEET EUROPEAN UNION DIRECTIVES AND OTHER COUNTRY REGULATIONS AS DESCRIBED IN GS-22-008.
- 11. CONNECTOR ASSEMBLIES SHOWN ARE FOR REFERENCE ONLY AND MAY NOT SHOWN ALL PART DETAIL, REFERENCE CONNECTOR ASSEMBLY DRAWINGS FOR COMPLETE DETAILS.
- 12. PACKAGE: EACH CABLE ASSEMBLY IN CLEAR ZIP-LOCK BPLY BAG, THEN BULK PACKED IN A BOX.
- 13. MATERIAL:

| 4    | 1    | EA   | ADHESIVE LABEL.   |
|------|------|------|---|
| 3    | AR   | MM   | USB+POWER CABLE: 28AWG*1P+20AWG*6C+SHIELD.  |
| 2    | 1    | EA   | USB+POWER PLUG KIT (24V) TYPE A, KEY POSITION 2,<br>FCI P/N: 74233-202LF.               |
| 1    | 1    | EA   | 1X8 LATCH-N-LOK 360° SHIELDED PLUG CONNECTOR KIT,<br>PEBBLE GRAY, FCI P/N: 74903-709LF. |
| ITEM | Q'TY | UNIT | DESCRIPTION   |

Mark with 10075076001 REV. prai\_revision in area indicated by X....

| rev | ecn no      | dr | date |
|-----|-------------|----|------|
| -   | See sheet 1 | -  | -    |
| -   | -           | -  | -    |
| -   | -           | -  | -    |
| -   | -           | -  | -    |
| -   | -           | -  | -    |
| -   | -           | -  | -    |

| Material       | Spec ref   | spec_ref            | projection   | MM    |
|----------------|--|---------------------|--------------|-------|
| Mat code       | surface  | tolerance           |              | MM    |
| Heat treat     | ISO 1302   | ISO 406<br>ISO 1101 |              |       |
| Plating/Finish | Dr Sunny Tsai 11/7/2007                            | Product family      | size         | Scale |
|                | Eng Sunny Tsai 11/7/2007                           | CABLE ASS'Y         | A3           | -     |
|                | Chr Jackson Wang 11/7/2007                         | Model Name          | ECN          |       |
|                | Appr Jackson Wang 11/7/2007                        | Model Revision      | REL Level    |       |
| FCI            | title  | cu dwg              | Rev.         |       |
| Pro/E file     | CABLE :USB+POWER(24V)<br>TO 1X8 LATCH-N-LOK (ROHS) | 10083511            | A            |       |
|                | catalog no   | CUSTOMER DWG        | sheet 2 of 2 |       |

| TOLERANCES UNLESS OTHERWISE SPECIFIED |    |     |  |
|---------------------------------------|----|-----|--|
| LINEAR                                |    |     |  |
|                                       |    |     |  |
|                                       |    |     |  |
| ANGULAR                               | 0° | ±2° |  |
|                                       |    |     |  |

FCI CONFIDENTIAL



This document is the property of and embodies CONFIDENTIAL and PROPRIETARY information of FCI. No part of the information shown on this document may be used in any way or disclosed to others without the written consent of FCI. Copyright FCI.