



Chipsmall Limited consists of a professional team with an average of over 10 year of expertise in the distribution of electronic components. Based in Hongkong, we have already established firm and mutual-benefit business relationships with customers from,Europe,America and south Asia,supplying obsolete and hard-to-find components to meet their specific needs.

With the principle of “Quality Parts,Customers Priority,Honest Operation,and Considerate Service”,our business mainly focus on the distribution of electronic components. Line cards we deal with include Microchip,ALPS,ROHM,Xilinx,Pulse,ON,Everlight and Freescale. Main products comprise IC,Modules,Potentiometer,IC Socket,Relay,Connector.Our parts cover such applications as commercial,industrial, and automotives areas.

We are looking forward to setting up business relationship with you and hope to provide you with the best service and solution. Let us make a better world for our industry!



Contact us

Tel: +86-755-8981 8866 Fax: +86-755-8427 6832

Email & Skype: info@chipsmall.com Web: www.chipsmall.com

Address: A1208, Overseas Decoration Building, #122 Zhenhua RD., Futian, Shenzhen, China



A

B

C

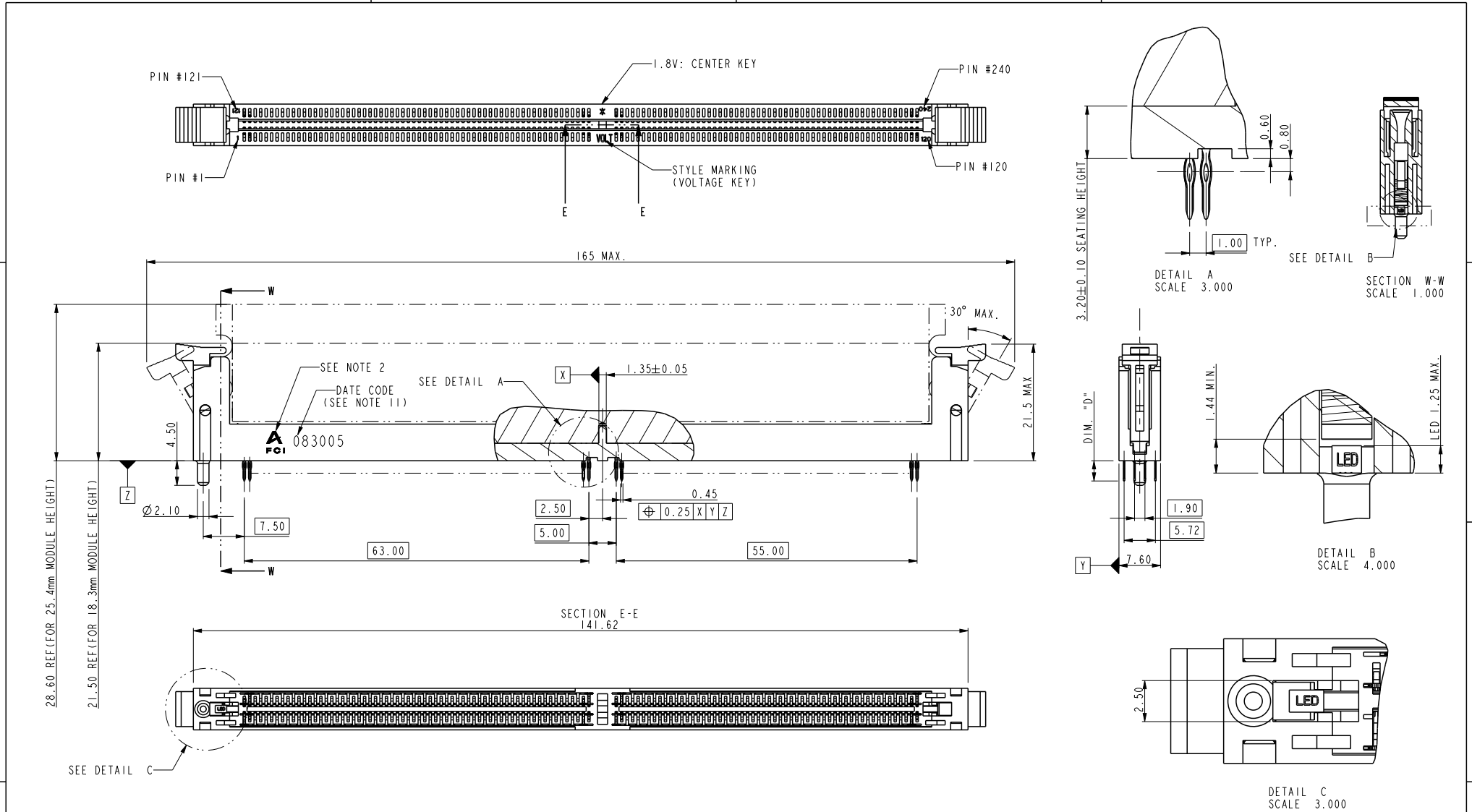
D

A

B

C

D



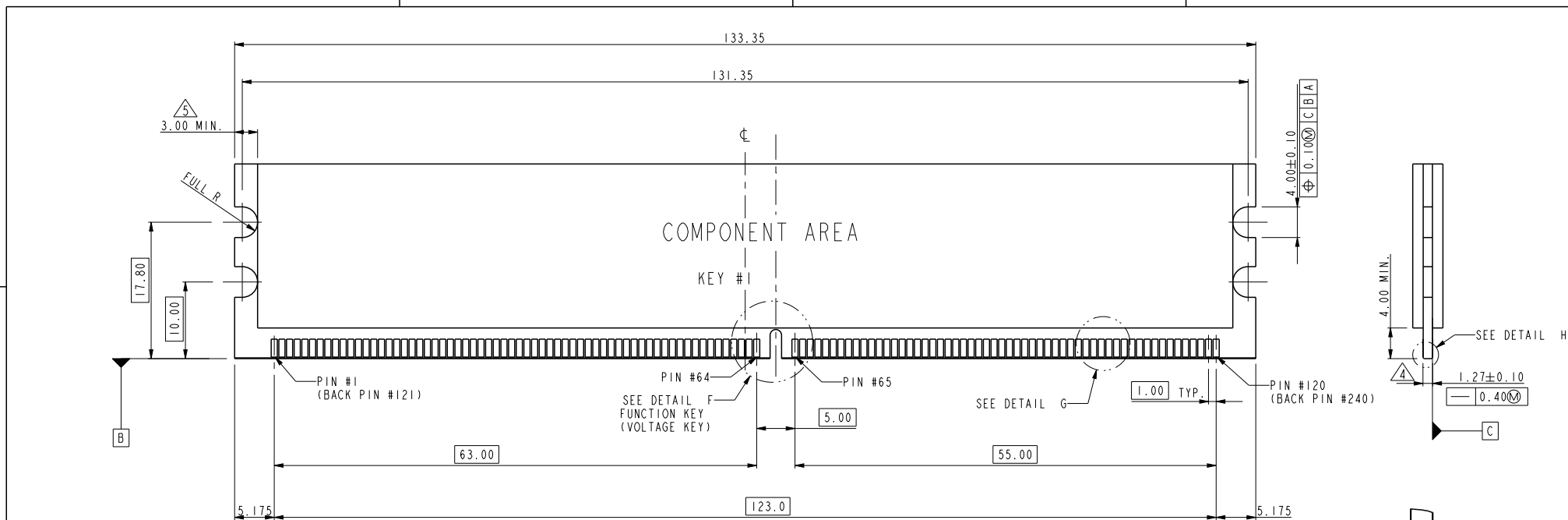
spec ref	*	dr	Rick Bian	2010/07/04	projection	MM	size	A4	scale	0.500		
tolerance std	TOLERANCES UNLESS OTHERWISE SPECIFIED	eng	Jeny Ren	2018/01/25			ecn no		ELX-DG-28708-1			
ISO 406		chr	-	-			rel level		Released			
ISO 1101		appr	Nickor Zuo	2018/01/29	product family		rev		B			
surface	linear	Amphenol FCI			title DDR II 240P PRESS-FIT LOWER LATCH		dwg no 10083950		sheet 1 of 4			
											0.X	±0.38
											0.XX	±0.25
		0.XXX	±0.13	cat. no.		Product - Customer Drw		sheet 1 of 4				
	angular	0°	±2°									

A

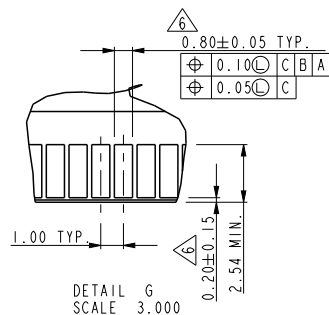
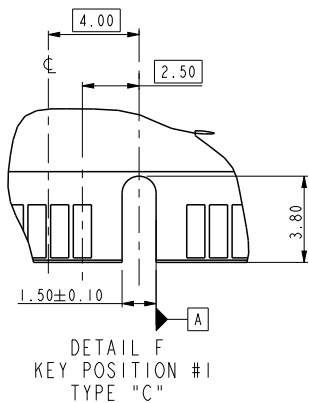
B

C

D



REFERENCE ONLY - SEE JEDEC SPEC MO-237 FOR DETAIL



TYPE "C"	1.8 VOLTAGE
SUB KEY POS #1	DESCRIPTION

NOTE:
1. MATERIAL : FR-4.
2. FINISH: SOLDER MASK.
3. BURR: 0.08 MAX.

spec ref	*	dr	Rick Bian	2010/07/04	projection	MM	size	A4	scale	0.500
tolerance std	TOLERANCES UNLESS OTHERWISE SPECIFIED	eng	Jeny Ren	2018/01/25		←→	ecn no	ELX-DG-28708-1		
ISO 406		chr	-	-				rel level	Released	
ISO 1101		appr	Nickor Zuo	2018/01/29	product family		rev	B		
surface	linear	Amphenol FCi	title	DDR II 240P PRESS-FIT			dwg no	10083950		
				LOWER LATCH						
ISO 1302	angular		cat. no.	*	Product - Customer Drw			sheet 2 of 4		
	0.X	±0.38								
	0.XX	±0.25								
	0.XXX	±0.13								
	0°	±2°								

A

B

C

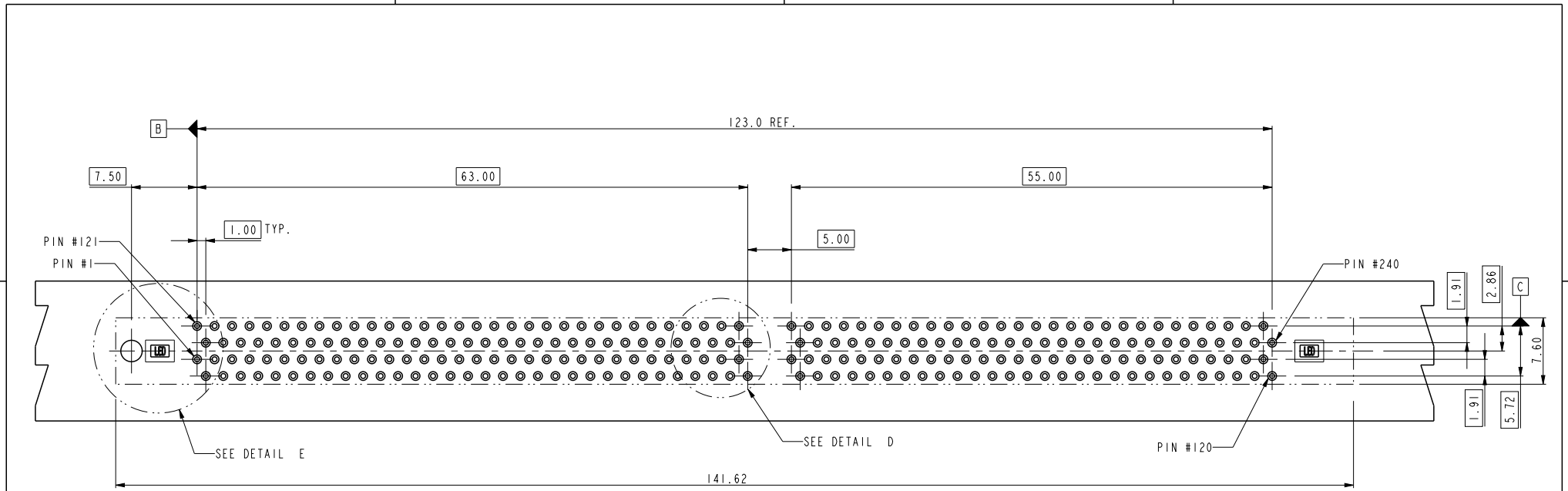
D

A

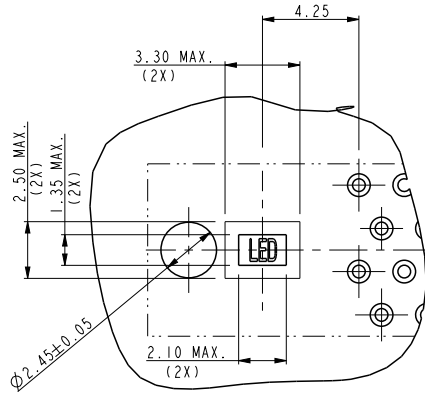
B

C

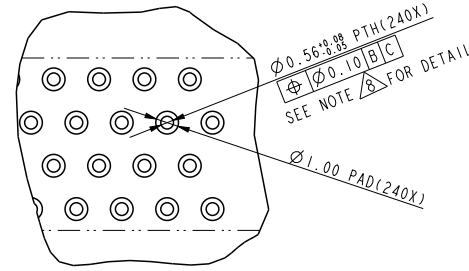
D



RECOMMEND CIRCUIT BOARD HOLE LAYOUT



DETAIL E
SCALE 3.000



DETAIL D
SCALE 3.000

spec ref	*	dr	Rick Bian	2010/07/04	projection	MM ←→	size	A4	scale	0.500
tolerance std	TOLERANCES UNLESS OTHERWISE SPECIFIED	eng	Jeny Ren	2018/01/25			ecn no	ELX-DG-28708-1		
ISO 406 ISO 1101		chr	-	-			rel level	Released		
surface	linear	appr	Nickor Zuo	2018/01/29	product family	product family		rev	B	
ISO 1302		angular			cat. no.	*	Product - Customer Drw	sheet 3 of 4		

10083950-□ □ □ □

STYLE: MECHANICAL KEYING

1 : 1.8 VOLT

REVISE

0

TAIL LENGTH

CODE	DIM. "D"
0	3.30
1	3.70
2	4.20

PLATING

CODE	CONTACT	TAIL AREA	UNDERPLATE	CODE	CONTACT	TAIL AREA	UNDERPLATE
2	15u"(0.38um) MIN. GOLD	35u"~100u" Tin PLATING	50u"(1.27um) MIN. NICKEL OVERALL	2B	15u"(0.38um) MIN. GOLD	35u"~100u" Tin/Lead PLATING	50u"(1.27um) MIN. NICKEL OVERALL
3	30u"(0.76um) MIN. GOLD			3B	30u"(0.76um) MIN. GOLD		
4	3u"(0.076um) MIN. GOLD			4B	3u"(0.076um) MIN. GOLD		
6	15u"(0.38um) MIN. GOLD (LUBRICATED)	35u"~100u" Tin PLATING	50u"(1.27um) MIN. NICKEL OVERALL	6B	15u"(0.38um) MIN. GOLD (LUBRICATED)	35u"~100u" Tin/Lead PLATING	50u"(1.27um) MIN. NICKEL OVERALL
7	30u"(0.76um) MIN. GOLD (LUBRICATED)			7B	30u"(0.76um) MIN. GOLD (LUBRICATED)		
8	3u"(0.076um) MIN. GOLD (LUBRICATED)			8B	3u"(0.076um) MIN. GOLD (LUBRICATED)		
2LF	15u"(0.38um) MIN. GOLD	35u"~100u" Tin PLATING	50u"(1.27um) MIN. NICKEL OVERALL	<p>NOTE:</p> <p>1. MATERIAL: HOUSING: HIGH PERFORMANCE RESINS, GLASS FILLED UL94V-0 RATED, COLOR: BLACK. EJECTOR: HIGH PERFORMANCE RESINS, GLASS FILLED UL94V-0 RATED, COLOR: NATURAL. TERMINAL: COPPER ALLOY.</p> <p>2. FCI LOGO TO BE APPROXIMATELY LOCATED AS SHOWN ON PRINT.</p> <p>3. PRODUCT SPECIFICATION: GS-12-273</p> <p>4. CARD THICKNESS APPLIES ACROSS TABS AND INCLUDES PLATING AND / OR METALIZATION.</p> <p>5. 3.00mm MINIMUM APPLIES TO BOTH 4.00mm WIDE NOTCH LENGTH AND COMPONENT KEEPOUT AREA.</p> <p>6. LEADING EDGE OF CONTACT PADS SPECIFIED BY THE KEEP OUT ZONE SHALL BE FREE OF BURRS AND EXTERNAL TIE BARS. FOR OPTIMUM PERFORMANCE, THE TIE BAR IS TO BE ON AN INTERNAL LAYER SO THAT THE REMNANT CANNOT CAUSE CONTACT DAMAGE.</p> <p>7. PACKAGING SPECIFICATION: GS-14-528.</p> <p>8. ALL PTH SHOULD BE 0.66mm DIA DRILLED AND 0.025mm MIN. ELECTRO-DEPOSITED COPPER THK ON THROUGH HOLE WALL.</p> <p>9. THIS PRODUCT MEETS EUROPEAN UNION DIRECTIVES AND OTHER COUNTRY REGULATIONS AS DESCRIBED IN GS-22-008.</p> <p>10. THE HOUSING WILL WITHSTAND EXPOSURE TO 260° PEAK TEMPERATURE FOR 20 SECONDS IN A IR REFLOW OVEN.</p> <p>DATE CODE: X X X X X X</p>			
3LF	30u"(0.76um) MIN. GOLD						
4LF	3u"(0.076um) MIN. GOLD						
6LF	15u"(0.38um) MIN. GOLD (Lubricated)	35u"~100u" Tin PLATING	50u"(1.27um) MIN. NICKEL OVERALL				
7LF	30u"(0.76um) MIN. GOLD (LUBRICATED)						
8LF	3u"(0.076um) MIN. GOLD (LUBRICATED)						

COLOR OF HOUSING AN EJECTOR

- 0 : BLACK HOUSING + IVORY EJECTOR
- 1 : BLACK HOUSING + AMBER EJECTOR
- 2 : BLACK HOUSING + BLACK EJECTOR
- 3 : BLUE HOUSING + IVORY EJECTOR
- 4 : BLUE HOUSING + AMBER EJECTOR



dr	Rick Bian	2010/07/04	projection 	MM ←→	size	A4	scale	0.500	
eng	Jeny Ren	2018/01/25			ecn no	ELX-DG-28708-1			
chr	-	-			rel level	Released			
appr	Nickor Zuo	2018/01/29	product family		rev no	10083950		rev	B
Amphenol FCI		DDR 11 240P PRESS-FIT LOWER LATCH			cat. no.	* Product - Customer Drw		sheet 4 of 4	