



Chipsmall Limited consists of a professional team with an average of over 10 year of expertise in the distribution of electronic components. Based in Hongkong, we have already established firm and mutual-benefit business relationships with customers from,Europe,America and south Asia,supplying obsolete and hard-to-find components to meet their specific needs.

With the principle of “Quality Parts,Customers Priority,Honest Operation,and Considerate Service”,our business mainly focus on the distribution of electronic components. Line cards we deal with include Microchip,ALPS,ROHM,Xilinx,Pulse,ON,Everlight and Freescale. Main products comprise IC,Modules,Potentiometer,IC Socket,Relay,Connector.Our parts cover such applications as commercial,industrial, and automotives areas.

We are looking forward to setting up business relationship with you and hope to provide you with the best service and solution. Let us make a better world for our industry!



Contact us

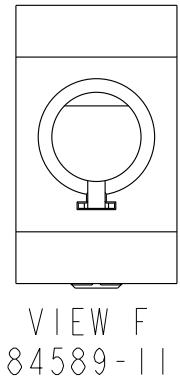
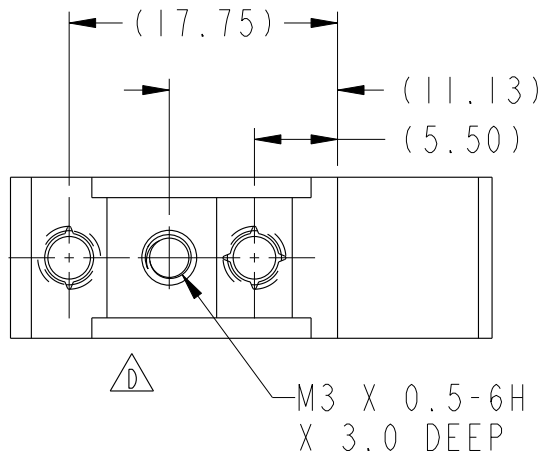
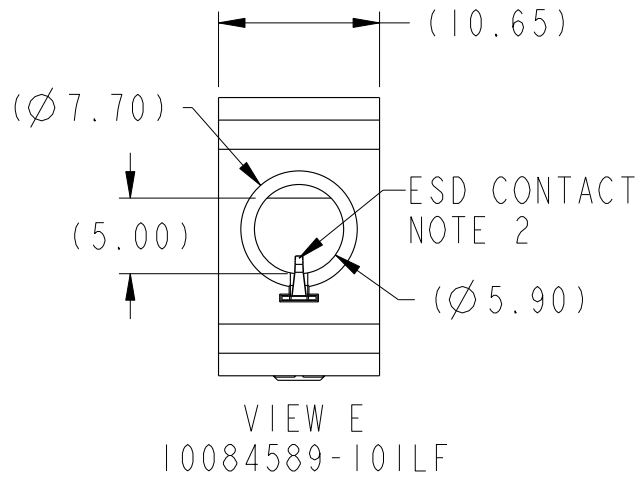
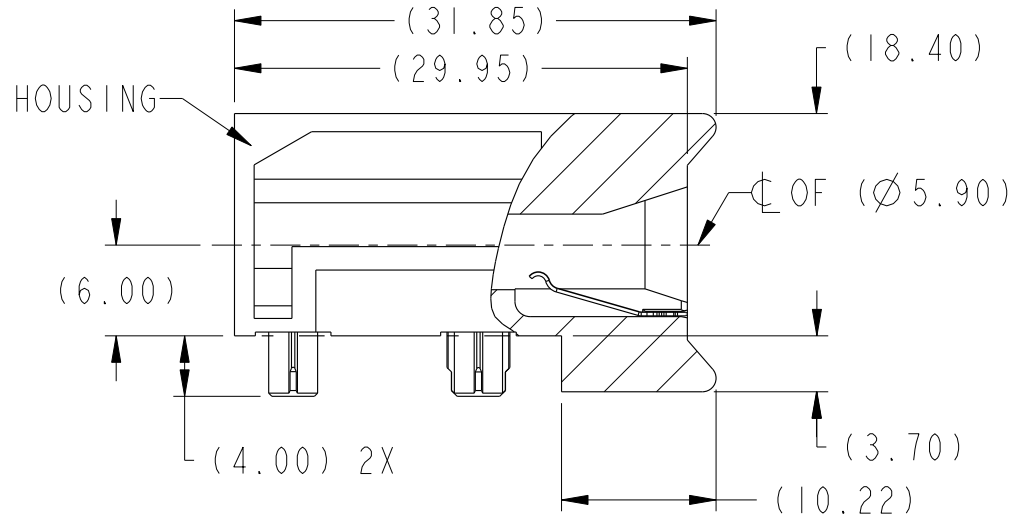
Tel: +86-755-8981 8866 Fax: +86-755-8427 6832

Email & Skype: info@chipsmall.com Web: www.chipsmall.com

Address: A1208, Overseas Decoration Building, #122 Zhenhua RD., Futian, Shenzhen, China



PRODUCT NUMBER	REMARKS
10084589-101LF	WITH ESD CONTACT (VIEW E)
10084589-111LF	WITHOUT ESD CONTACT (VIEW F)



Copyright FCI.

rev	ecn no	dr	date
A	S08-0174	CH	2008-06-02
B	S08-0187	CH	2008-06-13
C	S08-0192	CH	2008-06-20
D	S10-0118	YK	2010-06-02
-	-	-	-
-	-	-	-
-	-	-	-

www.fciconnect.com		surface 3.2 ASME Y14.5	tolerance std ASME Y14.5	projection MM
TOLERANCES UNLESS OTHERWISE SPECIFIED		ANGULAR	LINEAR	size A4
Dr	C. H. TAN	2008-06-20	0.X ±.3	Scale 1:1
Eng	Y. K. LIM	2010-06-02	0.XX ±.10	ECN S10-0118
Chr	C. H. TAN	2010-06-02	0.XXX ±.050	Product family AirMax Accessories
Appr	JOEY NG	2010-06-02	Spec ref	
FCI		title 10.8mm GUIDE MODULE ASSY WITH KEYING OPTIONS		Rev. D
catalog no		-		dwg no 10084589
		CUSTOMER		sheet 1 of 3

REV E - 2008-03-28

1

2

3

4

A

B

C

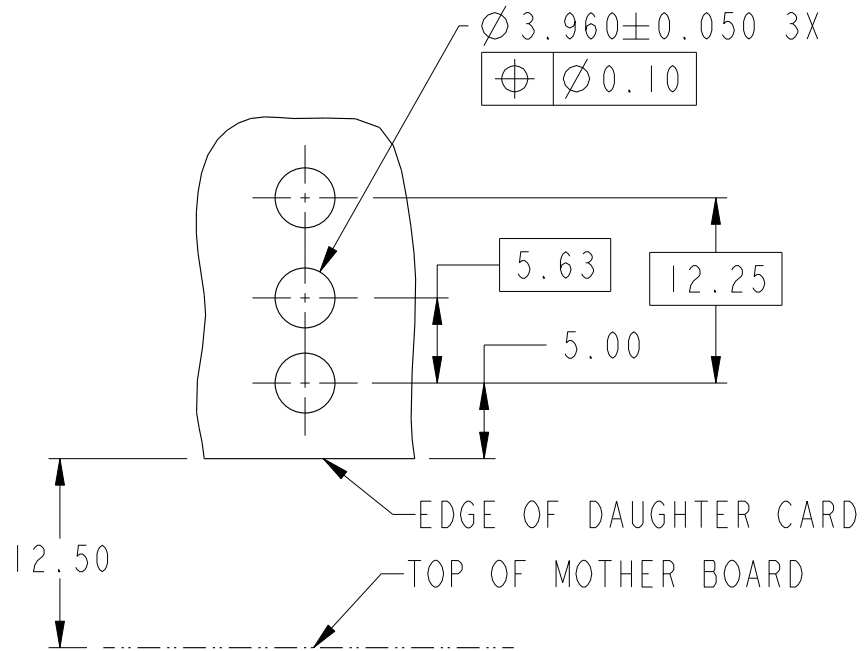
D

A

B

C

D



Copyright FCI.

REV E - 2006-03-28

2

	TITLE 10.8mm GUIDE MODULE ASSY WITH KEYING OPTIONS	dwg no 10084589	Rev. D
	catalog no -	CUSTOMER	sheet 2 of 3

PDM: Rev:D

STATUS:Released

4 Printed: Dec 01, 2010

1

2

3

4

A

B

C

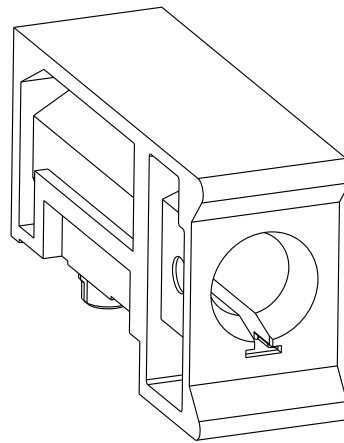
D


A

B

C

D



- ①. MATERIAL: ZINC ALLOY
- ②. FINISH: HOUSING; TRIVALENT CHROMATE IRIDESCENT
ESD CONTACT; 1.27um MINIMUM NICKEL ALL OVER
- 3. APPLICATION SPEC: GS-20-045
- ④. THRU HOLE PLATING AND ANNULAR RINGS MUST BE ADDED AS APPROPRIATE FOR APPLICATIONS WITH THE ESD GROUNDING OPTION. FINISHED HOLE SIZE IS THE SAME REGARDLESS OF PLATED BARREL OR NOT
- ⑤. REFER TO CUSTOMER DRAWING 10035911 FOR INFORMATION REGARDING PCB LAYOUT OF POWER AND GUIDE MODULES RELATIVE TO SIGNAL MODULES
- 6. THIS PRODUCT MEETS EUROPEAN UNION DIRECTIVES AND OTHER COUNTRY REGULATIONS AS DESCRIBED IN GS-22-008.
- 7. PACKAGING MEETS GS-14-920 LEAD FREE LABELING SPECIFICATION.
- 8. A  SYMBOL WOULD BE NEXT TO DIMENSIONS, VIEW OR NOTE WHICH HAS BEEN MODIFIED WITH THE CURRENT DRAWING REVISION



Copyright FCI.

	10.8mm GUIDE MODULE ASSY	dwg no	10084589	Rev.	D
	WITH KEYING OPTIONS	-	CUSTOMER	sheet 3 of 3	
catalog no					