



Chipsmall Limited consists of a professional team with an average of over 10 year of expertise in the distribution of electronic components. Based in Hongkong, we have already established firm and mutual-benefit business relationships with customers from,Europe,America and south Asia,supplying obsolete and hard-to-find components to meet their specific needs.

With the principle of "Quality Parts,Customers Priority,Honest Operation,and Considerate Service",our business mainly focus on the distribution of electronic components. Line cards we deal with include Microchip,ALPS,ROHM,Xilinx,Pulse,ON,Everlight and Freescale. Main products comprise IC,Modules,Potentiometer,IC Socket,Relay,Connector.Our parts cover such applications as commercial,industrial, and automotives areas.

We are looking forward to setting up business relationship with you and hope to provide you with the best service and solution. Let us make a better world for our industry!



Contact us

Tel: +86-755-8981 8866 Fax: +86-755-8427 6832

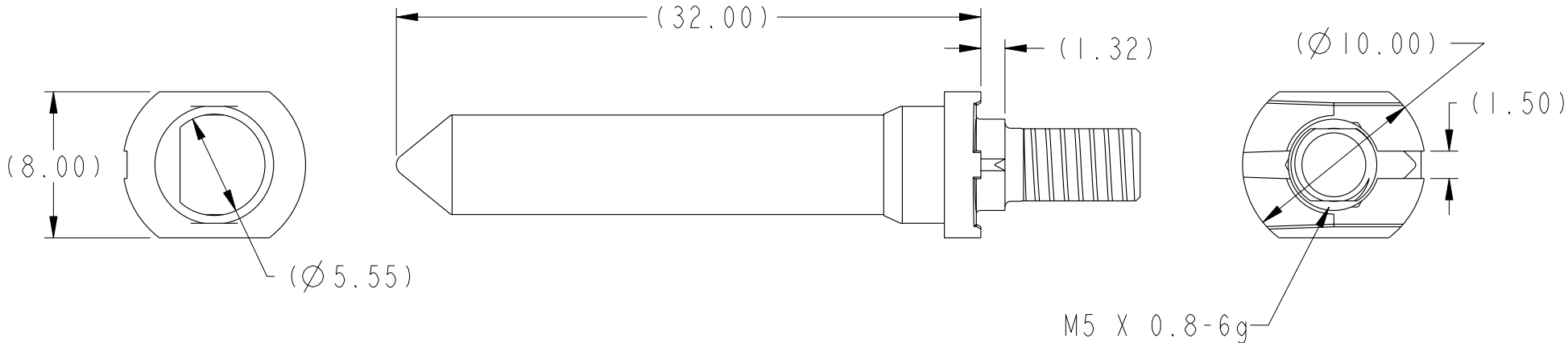
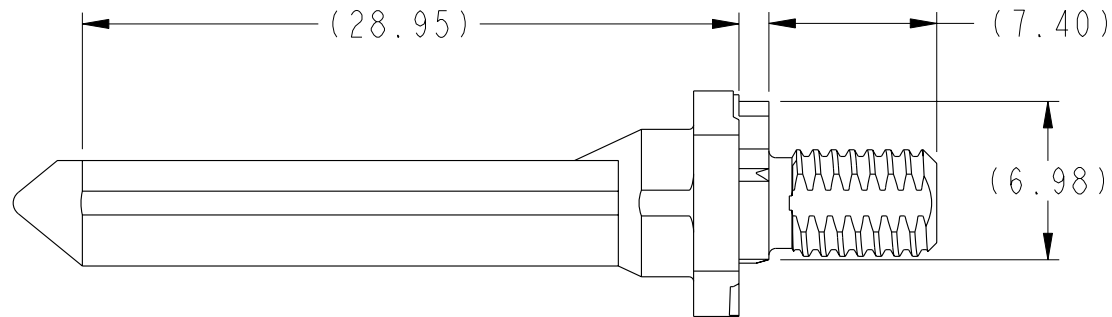
Email & Skype: info@chipsmall.com Web: www.chipsmall.com

Address: A1208, Overseas Decoration Building, #122 Zhenhua RD., Futian, Shenzhen, China



PRODUCT NUMBER

10084590-101LF



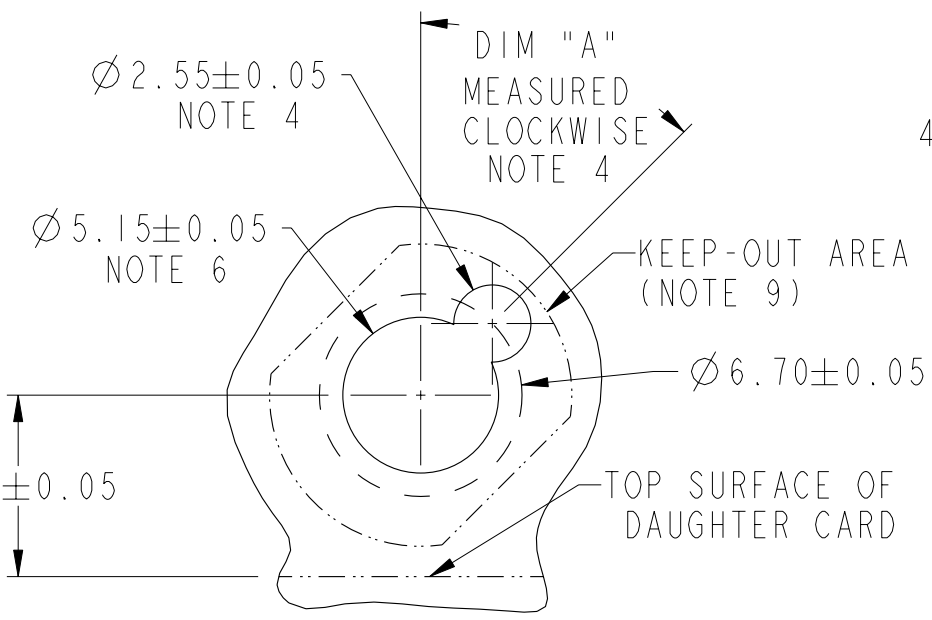
Copyright FCI.

rev	ecn no	dr	date
A	S08-0174	CH	2008-06-02
B	S08-0187	CH	2008-06-13
-	-	-	-
-	-	-	-
-	-	-	-
-	-	-	-

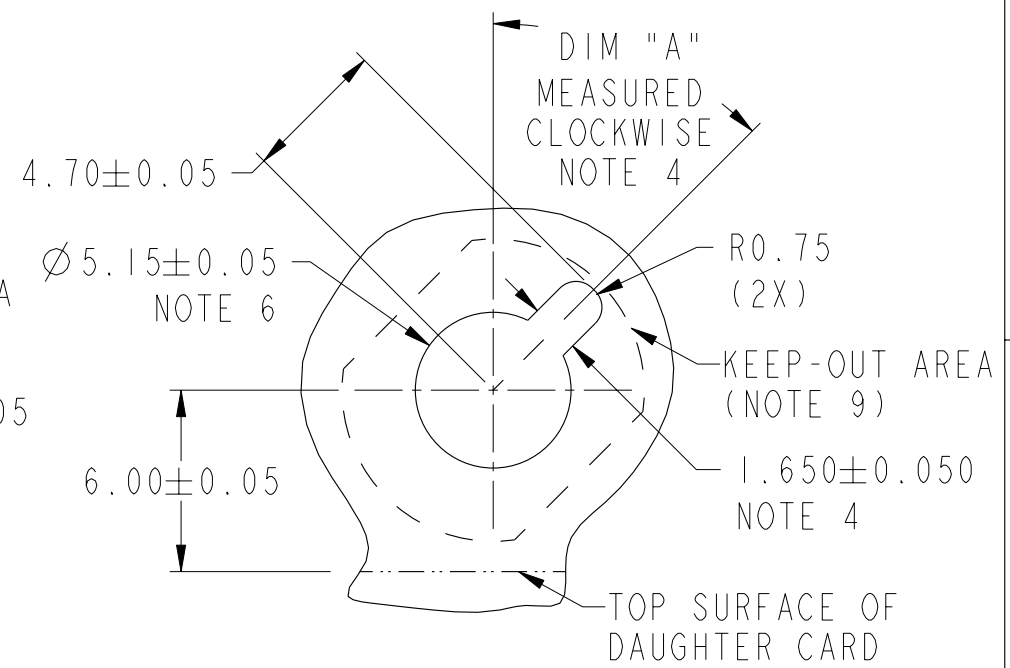
www.fciconnect.com		surface 3.200 ASME Y14.5	tolerance std ASME Y14.5	projection MM
TOLERANCES UNLESS OTHERWISE SPECIFIED		ANGULAR	LINEAR	size A4
Dr	C. H. TAN	2008-06-02	0.X ±0.3	Scale 3:1
Eng	C. H. TAN	2008-06-02	0.XX ±0.10	ECN
Chr	C. H. TAN	2008-06-13	0.XXX ±0.050	Spec ref -
Appr	JOEY NG	2008-06-13	Product family AirMax Accessories	
FCI		Title 10.8mm GUIDE PIN, EXT. THREAD		dwg no 10084590
catalog no		CUSTOMER		Rev. B
		sheet 1 of 3		



Copyright FCI.



RECOMMENDED PCB LAYOUT (DRILLING)
 NOTES 4, 5 & 6
 SCALE 4:1



RECOMMENDED PCB LAYOUT (MILLING)
 NOTE 4, 5 & 6
 SCALE 4:1

10.8 MM RECEPTACLE GUIDE MODULE NOTE 4	DIM "A"
10084589-1X1LF	0°

	TITLE	10.8mm GUIDE PIN, EXT. THREAD	dwg no	10084590	Rev.	B
	CATALOG NO	-	CUSTOMER	sheet 2 of 3		

REV F - 2006-04-17

PDM: Rev:B

STATUS: Released

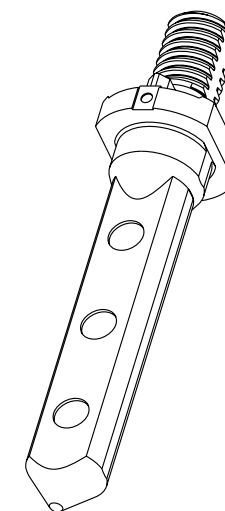
Printed: Dec 01, 2010

A

B

C

D




A

B

C

D

1. MATERIAL: ZINC ALLOY
2. FINISH: TRIVALENT CHROMATE IRIDESCENT
3. APPLICATION SPECIFICATION: GS-20-045
- ④. KEY HOLE ORIENTATION (DIM "A") WILL BE DEFINED BY THE MATING RECEPTACLE GUIDE MODULE PART NUMBER - SEE TABLE, SHEET 2
- ⑤. REFER TO CUSTOMER DRAWING 10035911 FOR INFORMATION REGARDING PCB LAYOUT OF POWER AND GUIDE MODULES RELATIVE TO SIGNAL MODULES
- ⑥. THRU HOLE PLATING AND ANNULAR RINGS MUST BE ADDED IN APPLICATIONS THAT USE THE ESD GROUNDING OPTION. FINISHED HOLE SIZE IS THE SAME REGARDLESS OF PLATED BARREL OR NOT.
7. THIS PRODUCT MEETS EUROPEAN UNION DIRECTIVES AND OTHER COUNTRY REGULATIONS AS DESCRIBED IN GS-22-008.
8. PACKAGING MEETS GS-14-920 LEAD FREE LABELING SPECIFICATION.
- ⑨. KEEP OUT ZONE MATCH PROFILE OF SEATED GUIDE PIN, SEE SHEET 1 FOR REFERENCE DIMENSIONS OF GUIDE PIN OUTLINE.

	title 10.8mm GUIDE PIN, EXT. THREAD	dwg no 10084590	Rev. B
	catalog no -	CUSTOMER	sheet 3 of 3