



Chipsmall Limited consists of a professional team with an average of over 10 year of expertise in the distribution of electronic components. Based in Hongkong, we have already established firm and mutual-benefit business relationships with customers from,Europe,America and south Asia,supplying obsolete and hard-to-find components to meet their specific needs.

With the principle of "Quality Parts,Customers Priority,Honest Operation,and Considerate Service",our business mainly focus on the distribution of electronic components. Line cards we deal with include Microchip,ALPS,ROHM,Xilinx,Pulse,ON,Everlight and Freescale. Main products comprise IC,Modules,Potentiometer,IC Socket,Relay,Connector.Our parts cover such applications as commercial,industrial, and automotives areas.

We are looking forward to setting up business relationship with you and hope to provide you with the best service and solution. Let us make a better world for our industry!



## Contact us

Tel: +86-755-8981 8866 Fax: +86-755-8427 6832

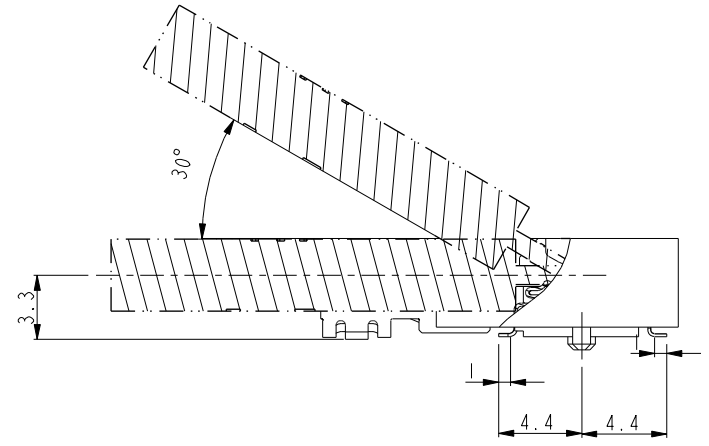
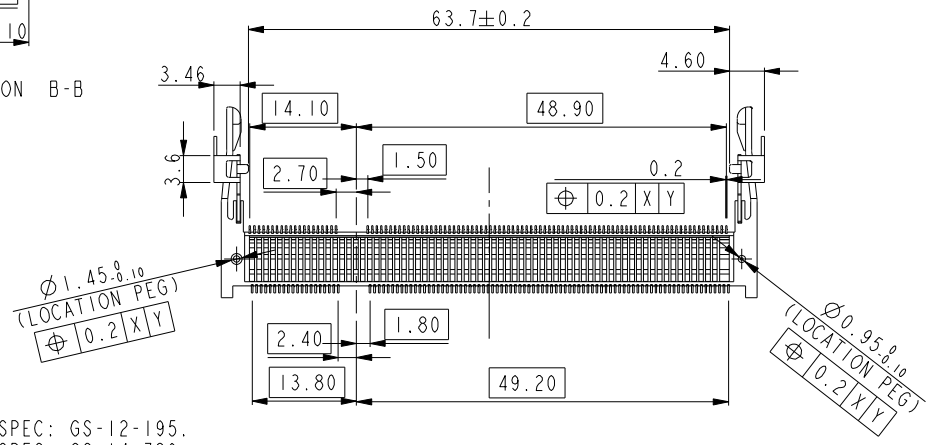
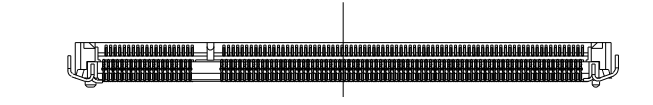
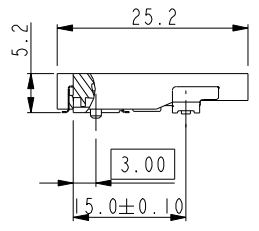
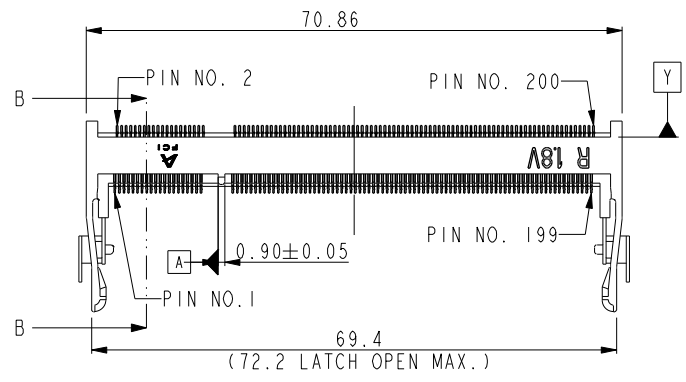
Email & Skype: info@chipsmall.com Web: www.chipsmall.com

Address: A1208, Overseas Decoration Building, #122 Zhenhua RD., Futian, Shenzhen, China





Copyright FCI.



- NOTE:
1. PRODUCT SPEC: GS-12-195.
  2. PACKAGE SPEC: GS-14-786.
  3. MATERIAL  
HOUSING: LCP, UL94V-0, BLACK COLOR.  
CONTACT: COPPER ALLOY  
HOLDDOWN: BRASS
  4. FINISH  
TERMINAL :SEE TABLE  
HOLDDOWN: SEE TABLE
  5. COPLANARITY: 0.1MAX. (INCLUDING HOLDDOWN)
  6. THIS PRODUCT MEETS EUROPEAN UNION DIRECTIVES AND OTHER COUNTRY REGULATIONS AS DESCRIBED IN GS-22-008.
  7. THE HOUSING WILL WITHSTAND EXPOSE TO 260° PEAK TEMPERATURE FOR 10 SECENDS IN WAVE SOLDER APPLICATION.
  8. A  $\Delta$  SYMBOL WILL BE NEXT TO ANY DIMENSION, VIEW, OR NOTE WHICH HAS BEEN MODIFIED WITH THE CURRENT DRAWING REVISION.

| rev | ecn no    | dr  | date     |
|-----|-----------|-----|----------|
| A   | DG08-0107 | J W | 05/05/08 |
| B   | DG08-0204 | B L | 09/09/08 |

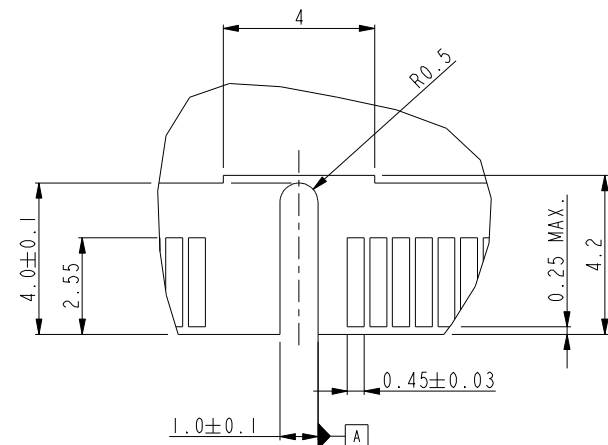
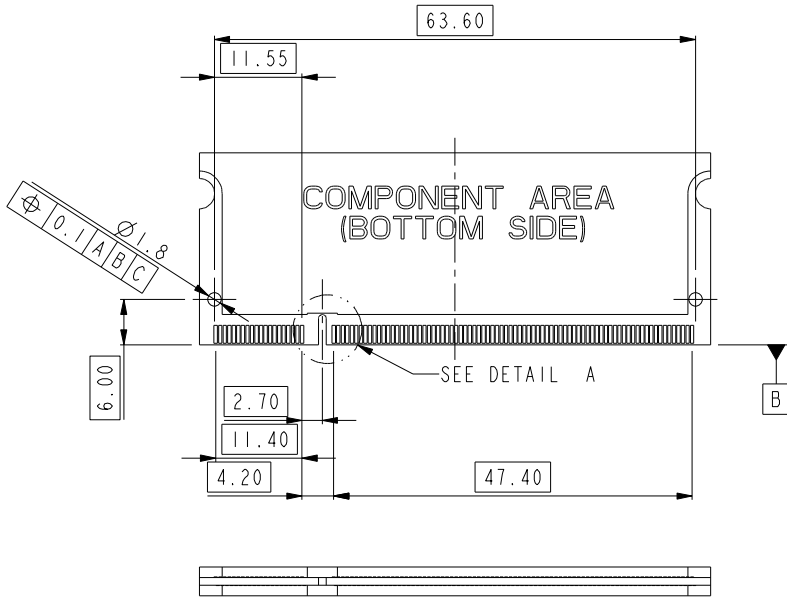
|                    |             |          |   |               |   |                 |
|--------------------|-------------|----------|---|---------------|---|-----------------|
| www.fciconnect.com |             |          | surface <input checked="" type="checkbox"/> | tolerance std | projection                                      | MM              |
|                    |             |          | TOLERANCES UNLESS OTHERWISE SPECIFIED       |               |   |                 |
| Dr                 | JULIA WANG  | 05/05/08 | ANGULAR                                     | LINEAR        | 0.X ± 0.3                                       | size A4         |
| Eng                | JULIA WANG  | 05/05/08 |   | 0.XX ± 0.10   | Scale 1.000                                     |                 |
| Chr                | GARY HSIEH  | 05/05/08 |   | 0.XXX ± 0.05  | ECN DG08-0204                                   |                 |
| Appr               | JOSEPH HSIA | 05/05/08 | Product family                              |               | Spec ref  | *               |
|                    |             |          | title                                       |               | DDR2 0.6mm PITCH 200 POS.<br>REVERSE TYPE ASS'Y | dwg no 10086891 |
|                    |             |          | catalog no                                  | *             | CUSTOMER  | sheet 1 of 4    |

REV F - 2006-04-17

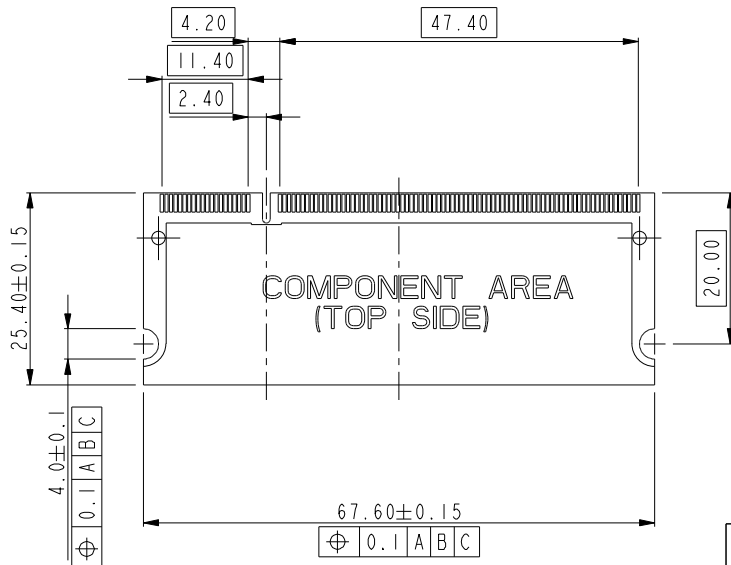
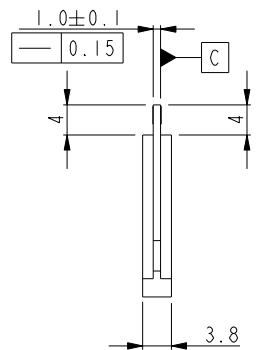


Copyright FCI.

A  
B  
C  
D



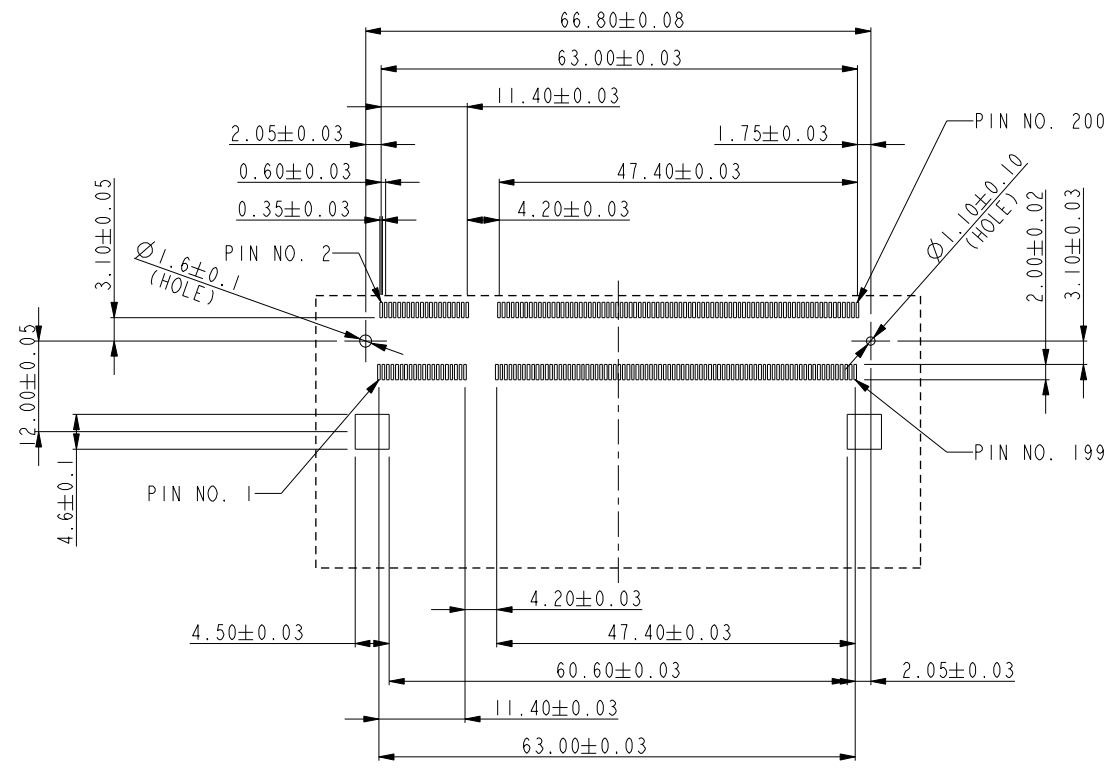
DETAIL A  
SCALE 5.000



title DDR2 0.6mm PITCH 200 POS.  
REVERSE TYPE ASS'Y  
catalog no \*

dwg no 10086891  
CUSTOMER

Rev. B  
sheet 2 of 4



RECOMMENDED MOUNTING P.C.B LAYOUT



Copyright FCI.

|                                       |            |  |               |            |            |               |
|---------------------------------------|------------|--|---------------|------------|------------|---------------|
| www.fciconnect.com                    |            | surface <input checked="" type="checkbox"/>  | tolerance std | projection |            |               |
| TOLERANCES UNLESS OTHERWISE SPECIFIED |            |  |               |            |            |               |
| Dr                                    |            | ANGULAR                                      | LINEAR        | 0.X        | ±          | size A4       |
| Eng                                   | JULIA WANG |  |               | 0.XX       | ±          | Scale 1.000   |
| Chr                                   |            | 0° ±°  |               | 0.XXX      | ±          | ECN DG08-0204 |
| Appr                                  |            | Product family                               |               |            | Spec ref * |               |
|                                       | title      | DDR2 0.6mm PITCH 200 POS. REVERSE TYPE ASS'Y |               |            | dwg no     | 10086891      |
|                                       | catalog no | *  |               |            | CUSTOMER   | sheet 3 of 4  |

| PRODUCT NO.       | LOCATION PEG | TERMINAL CONTACT AREA FINISH | HOLD DOWN FINISH | SOLDER TAIL FINISH |                 |                 |
|-------------------|--------------|------------------------------|------------------|--------------------|-----------------|-----------------|
| 10086891-052FSLF  | YES          | Au FLASH                     | PURE Sn PLATING  | Au FLASH           |                 |                 |
| 10086891-152FSLF  | NO           |                              |                  |                    |                 |                 |
| 10086891-052TSLF  | YES          | Au 0.3um MIN.                |                  |                    |                 |                 |
| 10086891-052TSRLF | △ YES        |                              |                  |                    |                 |                 |
| 10086891-152TSLF  | NO           | Au 0.76um MIN.               |                  |                    |                 |                 |
| 10086891-052ASLF  | YES          |                              |                  |                    |                 |                 |
| 10086891-052ASRLF | △ YES        |                              |                  |                    |                 |                 |
| 10086891-152ASLF  | NO           |                              |                  |                    |                 |                 |
| 10086891-052FB    | YES          | Au FLASH                     | Sn-Pb PLATING    | Au FLASH           |                 |                 |
| 10086891-152FB    | NO           | Au 0.3um MIN.                |                  |                    |                 |                 |
| 10086891-052TB    | YES          |                              |                  |                    |                 |                 |
| 10086891-152TB    | NO           |                              |                  |                    |                 |                 |
| 10086891-052AB    | YES          | Au 0.76um MIN.               | PURE Sn PLATING  | PURE Sn PLATING    |                 |                 |
| 10086891-152AB    | NO           |                              |                  |                    |                 |                 |
| 10086891-252FSLF  | YES          | Au FLASH                     |                  |                    | Sn-Pb PLATING   | PURE Sn PLATING |
| 10086891-352FSLF  | NO           | Au 0.3um MIN.                |                  |                    |                 |                 |
| 10086891-252TSLF  | YES          |                              |                  |                    |                 |                 |
| 10086891-352TSLF  | NO           |                              |                  |                    |                 |                 |
| 10086891-252ASLF  | YES          | Au 0.76um MIN.               | Sn-Pb PLATING    | Sn-Pb PLATING      |                 |                 |
| 10086891-352ASLF  | NO           |                              |                  |                    |                 |                 |
| 10086891-252FB    | YES          | Au FLASH                     |                  |                    | Sn-Pb PLATING   | Sn-Pb PLATING   |
| 10086891-352FB    | NO           | Au 0.3um MIN.                |                  |                    |                 |                 |
| 10086891-252TB    | YES          |                              |                  |                    |                 |                 |
| 10086891-352TB    | NO           |                              |                  |                    |                 |                 |
| 10086891-252AB    | YES          | Au 0.76um MIN.               | Sn-Pb PLATING    | Sn-Pb PLATING      |                 |                 |
| 10086891-352AB    | NO           |                              |                  |                    |                 |                 |
| 10086891-452FS    | YES          | Au FLASH                     |                  |                    | PURE Sn PLATING | Sn-Pb PLATING   |
| 10086891-552FS    | NO           | Au 0.3um MIN.                |                  |                    |                 |                 |
| 10086891-452TS    | YES          |                              |                  |                    |                 |                 |
| 10086891-552TS    | NO           |                              |                  |                    |                 |                 |
| 10086891-452AS    | YES          | Au 0.76um MIN.               | Sn-Pb PLATING    | Sn-Pb PLATING      |                 |                 |
| 10086891-552AS    | NO           |                              |                  |                    |                 |                 |
| 10086891-452FB    | YES          | Au FLASH                     |                  |                    | Sn-Pb PLATING   | Sn-Pb PLATING   |
| 10086891-552FB    | NO           | Au 0.3um MIN.                |                  |                    |                 |                 |
| 10086891-452TB    | YES          |                              |                  |                    |                 |                 |
| 10086891-552TB    | NO           |                              |                  |                    |                 |                 |
| 10086891-452AB    | YES          | Au 0.76um MIN.               | Sn-Pb PLATING    | Sn-Pb PLATING      |                 |                 |
| 10086891-552AB    | NO           |                              |                  |                    |                 |                 |

10086891-X XX X X X LF

FOR Rohs OPTIONS: TAIL PLATING CODE MUST BE 0~3. HOLD DOWN PLATING CODE MUST BE "S". "LF" CODE IS EXIST IN THE END. EX: 10086891-252TSLF FOR NOT Rohs COMPATIBEL: THIS "LF" CODE IS "BLANK". EX: 10086891-452TS

<PACKING METHOD>  
R : TAPE REEL  
DEFAULT: TRAY △

<HOLDDOWN FINISH>  
S: PURE Sn  
B: Sn-Pb

<CONTACT FINISH>  
F: Au FLASH  
T: Au 0.3um MIN.  
A: Au 0.76um MIN.

<TOTAL HEIGHT>  
52: 5.2mm

<LOCATION PEG, SOLDER TAIL FINISH>  
0: YES, Au FLASH  
1: NO, Au FLASH  
2: YES, PURE Sn PLATING  
3: NO, PURE Sn PLATING  
4: YES, Sn-Pb PLATING  
5: NO, Sn-Pb PLATING



Copyright FCI.



|            |                           |  |        |          |      |              |
|------------|---------------------------|--|--------|----------|------|--------------|
| title      | DDR2 0.6mm PITCH 200 POS. |  | dwg no | 10086891 | Rev. | B            |
|            | REVERSE TYPE ASS'Y        |  |        | CUSTOMER |      | sheet 4 of 4 |
| catalog no | *                         |  |        |          |      |              |