



Chipsmall Limited consists of a professional team with an average of over 10 year of expertise in the distribution of electronic components. Based in Hongkong, we have already established firm and mutual-benefit business relationships with customers from,Europe,America and south Asia,supplying obsolete and hard-to-find components to meet their specific needs.

With the principle of “Quality Parts,Customers Priority,Honest Operation,and Considerate Service”,our business mainly focus on the distribution of electronic components. Line cards we deal with include Microchip,ALPS,ROHM,Xilinx,Pulse,ON,Everlight and Freescale. Main products comprise IC,Modules,Potentiometer,IC Socket,Relay,Connector.Our parts cover such applications as commercial,industrial, and automotives areas.

We are looking forward to setting up business relationship with you and hope to provide you with the best service and solution. Let us make a better world for our industry!



## Contact us

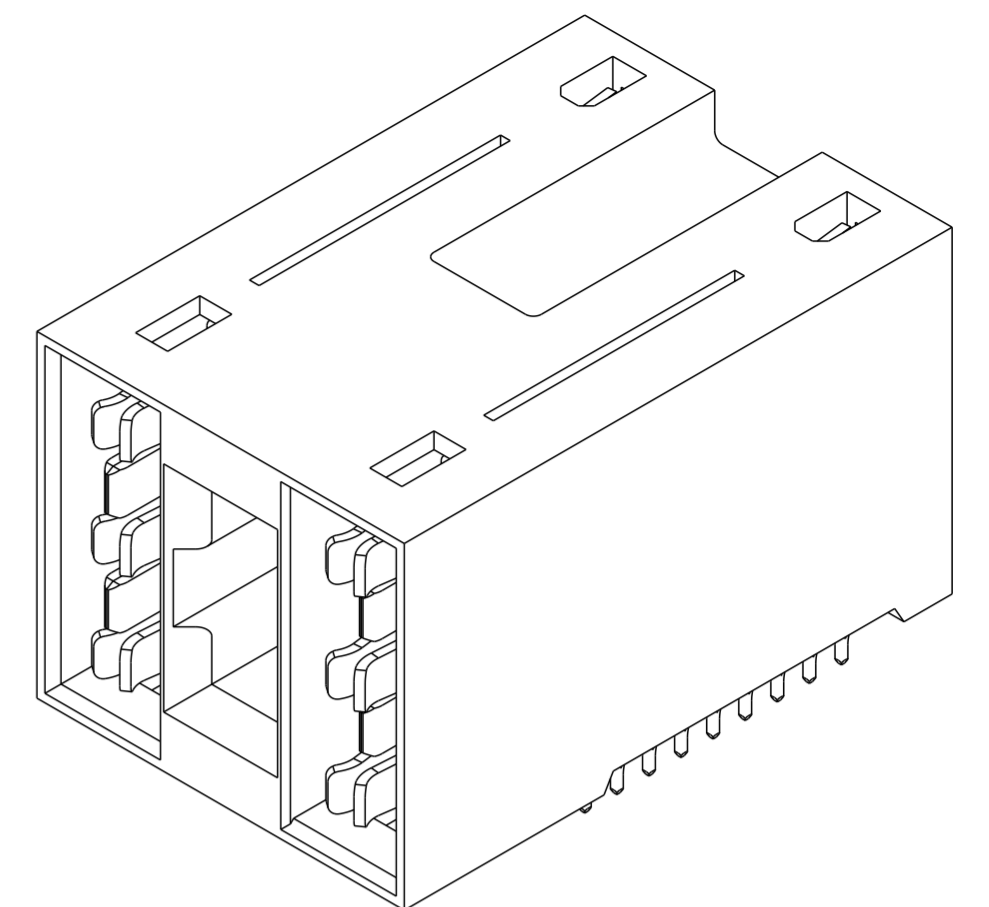
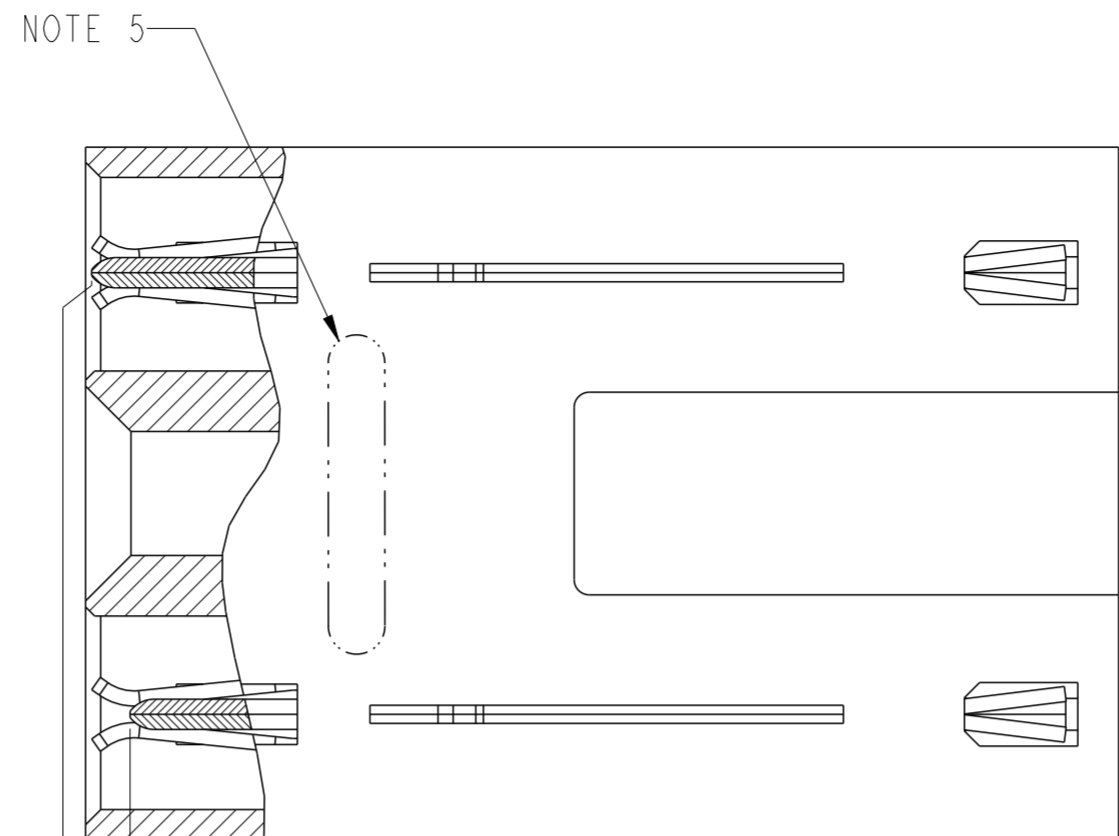
Tel: +86-755-8981 8866 Fax: +86-755-8427 6832

Email & Skype: info@chipsmall.com Web: www.chipsmall.com

Address: A1208, Overseas Decoration Building, #122 Zhenhua RD., Futian, Shenzhen, China



PART NUMBER	FIRST MATE (LONG) CONTACT POSN	SECOND MATE (SHORT) CONTACT POSN	TAIL TYPE
10087937-001LF	NONE	POSN 1 & 2	PRESS-FIT
10087937-002LF	POSN 1	POSN 2	

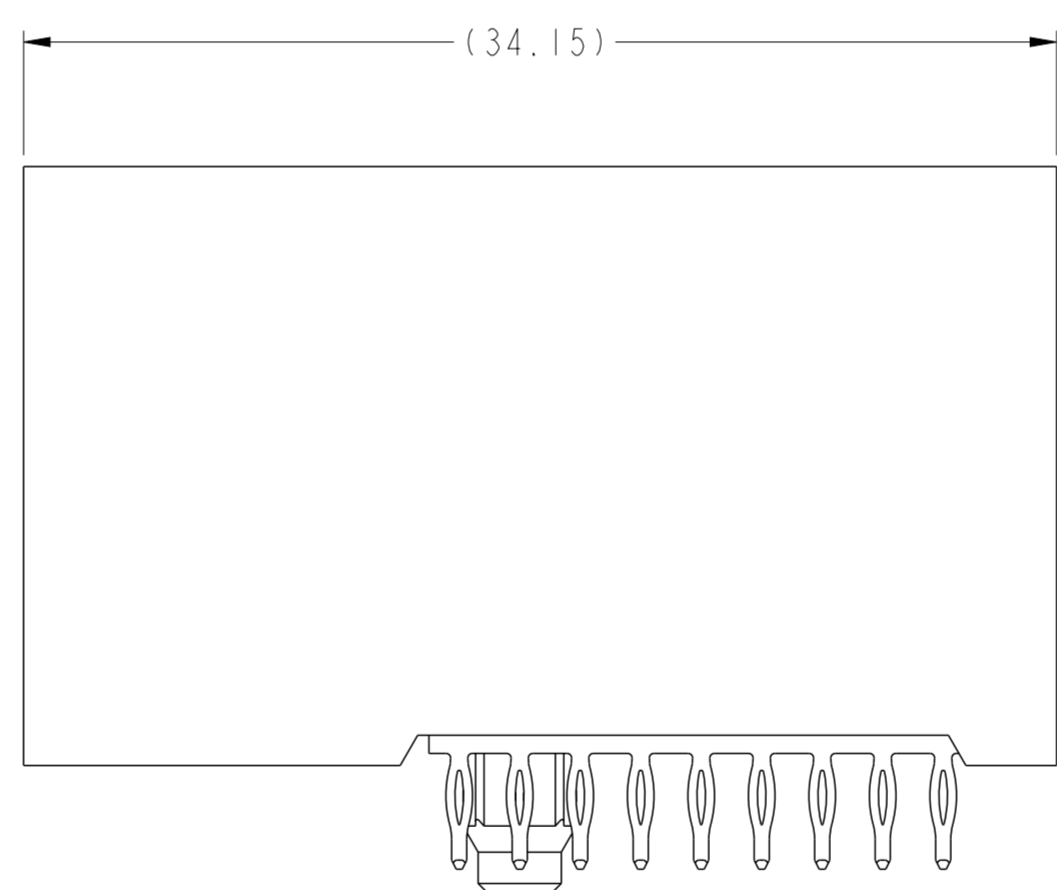
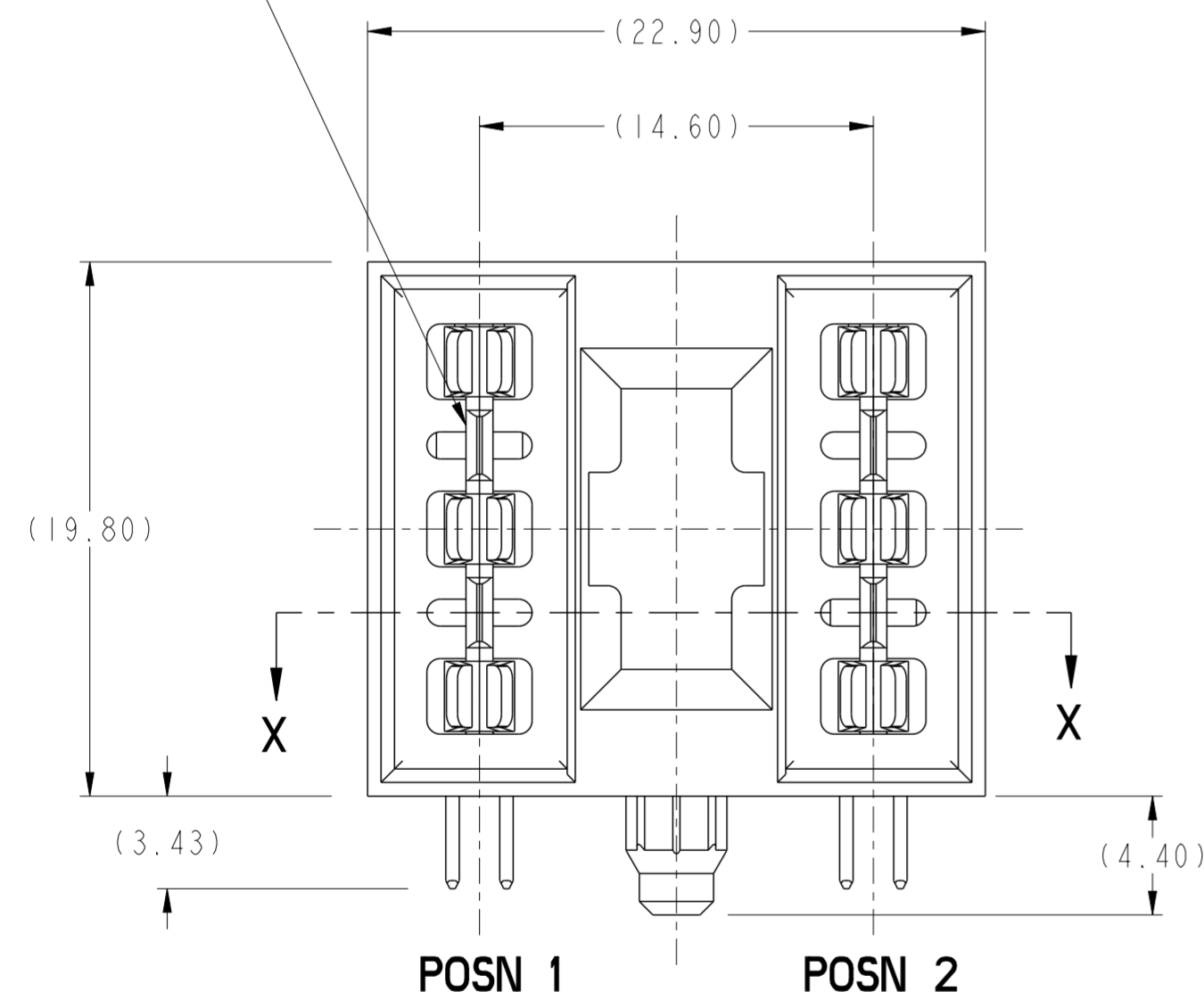


POWER CONTACTS,  
LONG AND SHORT BLADES  
(SEE DETAIL C)

(1.27)  
CONTACT SEQUENCING

HOUSING  
NOTE 8

**SECTION X-X**



KEYING FOR  
LONG CONTACTS

KEYING FOR  
SHORT CONTACTS

**10087937-002 SHOWN**



Copyright FCI.

spec ref	-	dr	NotFound DuWa	2010/04/28	projection	MM	size	A2	scale	4:1
tolerance std	ASME Y14.5	eng	De-Ming Lu	2014/12/28			ecn no	ELX-DG-19849-1		
TOLERANCES UNLESS OTHERWISE SPECIFIED		chr	-	rel level			Released			
surface	ASME Y14.5	appr	Pei-Ming Zheng	2014/12/29			product family	HCI	rel level	Released
linear	0.X ±0.5 0.XX ±0.25 0.XXX ±0.10	title	ASSEMBLY, HEADER, R/A 2 POSN BACKPANEL MODULE W/GUIDE			dwg no	10087937		rev	C
angular	0° ±2°	www.fci.com	cat. no.	-	Product - Customer Drw	sheet 1 of 2				

PDS: Rev :C

STATUS:Released

Printed: Dec 30, 2014



