



Chipsmall Limited consists of a professional team with an average of over 10 year of expertise in the distribution of electronic components. Based in Hongkong, we have already established firm and mutual-benefit business relationships with customers from,Europe,America and south Asia,supplying obsolete and hard-to-find components to meet their specific needs.

With the principle of “Quality Parts,Customers Priority,Honest Operation,and Considerate Service”,our business mainly focus on the distribution of electronic components. Line cards we deal with include Microchip,ALPS,ROHM,Xilinx,Pulse,ON,Everlight and Freescale. Main products comprise IC,Modules,Potentiometer,IC Socket,Relay,Connector.Our parts cover such applications as commercial,industrial, and automotives areas.

We are looking forward to setting up business relationship with you and hope to provide you with the best service and solution. Let us make a better world for our industry!



Contact us

Tel: +86-755-8981 8866 Fax: +86-755-8427 6832

Email & Skype: info@chipsmall.com Web: www.chipsmall.com

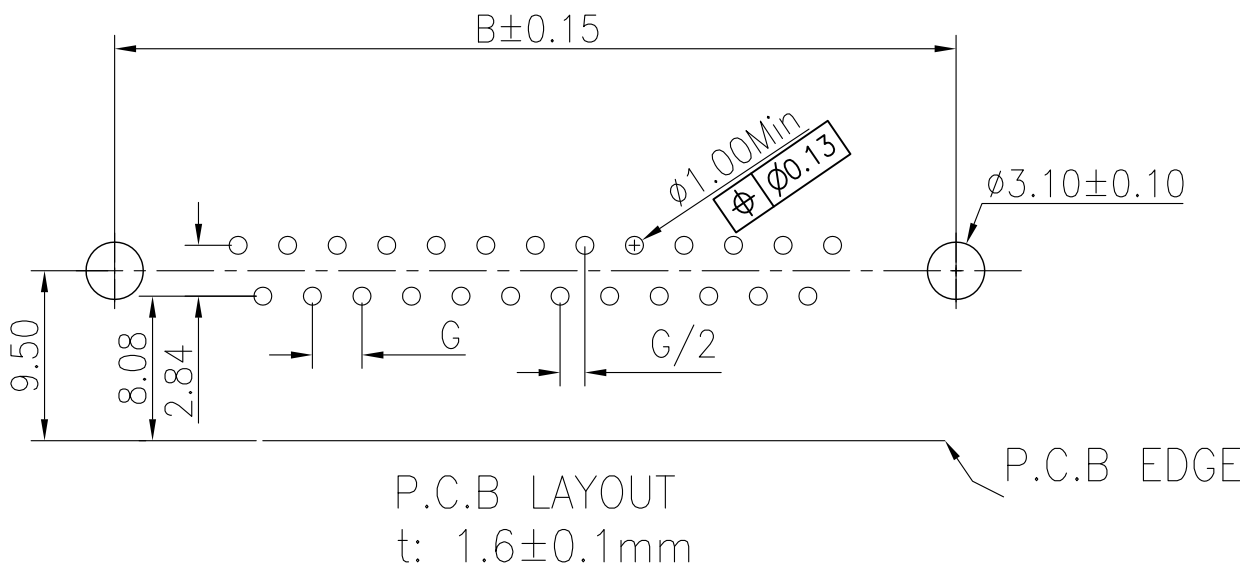
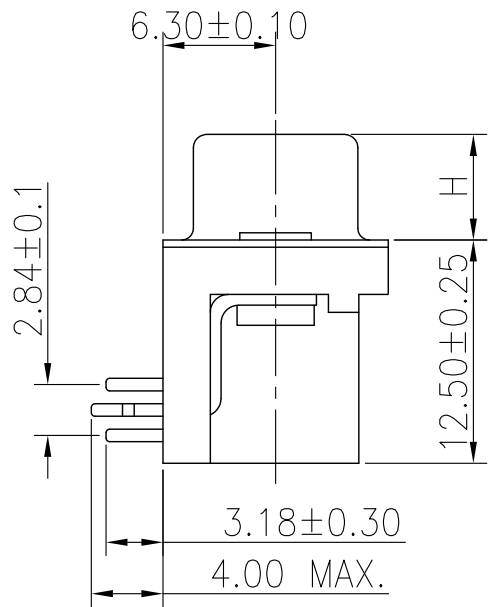
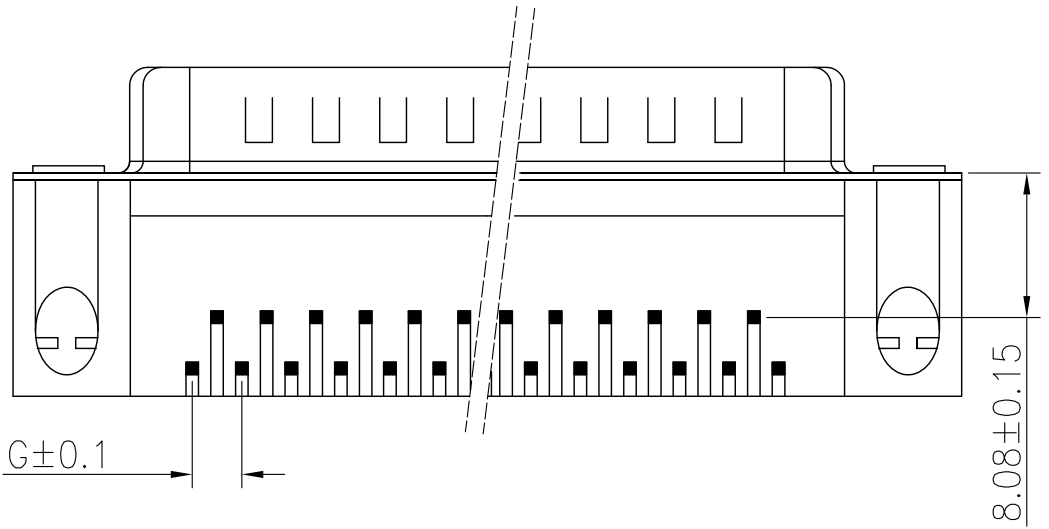
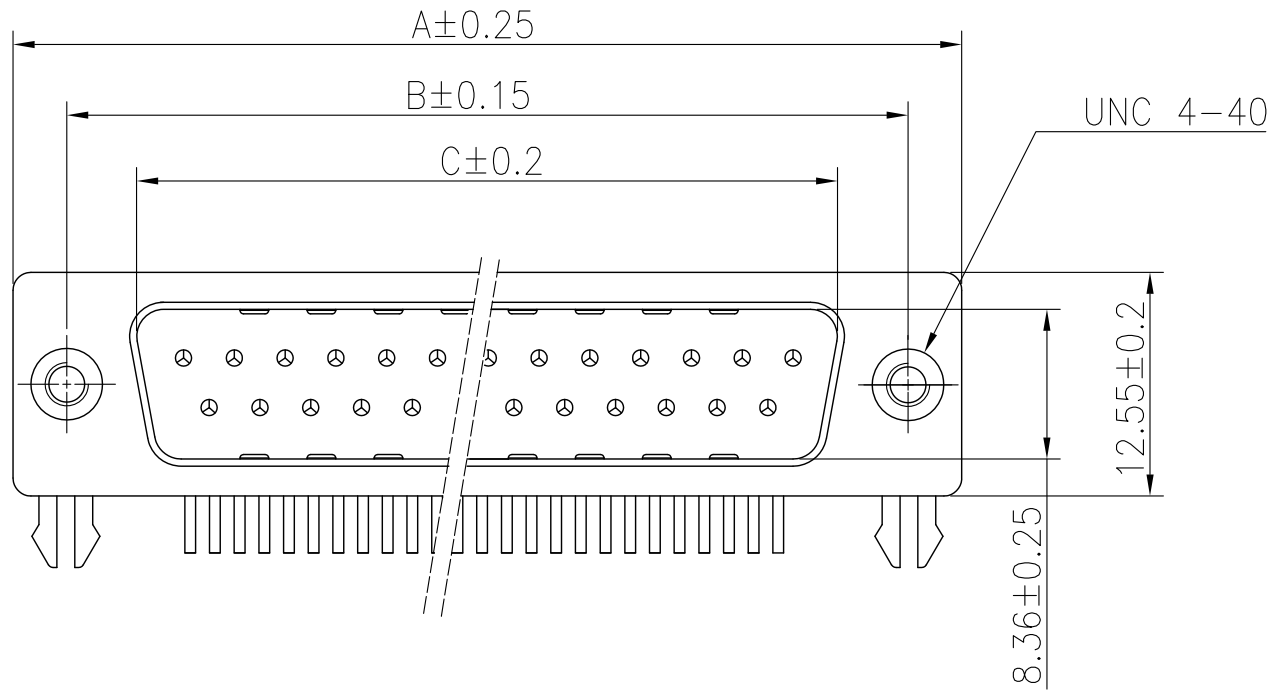
Address: A1208, Overseas Decoration Building, #122 Zhenhua RD., Futian, Shenzhen, China



Tous droits strictement reserves. Reproduction ou communication a des tiers interdite sous quelque forme que ce soit sans autorisation ecrite du proprietaire. Propriete de c FCI. Droits de reproduction FCI.



All rights strictly reserved. Reproduction or issue to third parties in any form whatever is not permitted without written authority from the proprietor. Property of FCI. Copyright FCI.



REMARK:
 1.CHARACTERISTICS:
 RATED VOLTAGE: 250V
 RATED CURRENT: 5AMP
 CONTACT RESISTANCE: 25mohms MAX.INITIAL;40mohms MAX.AFTER.
 INSULATION RESISTANCE: 5000Mohms MIN.at 500V DC
 DIELECTRIC STRENGTH: 1000VRMS
 OPERATING TEMPERATURE RANGE: -55℃~ 105℃
 INSERTION/EXTRACTION FORCE PER CONTACT :5N Max./0.3N Min.
 MATING/UNMATING CYCLES :50MATINGS MIN.

2.MATERIAL:
 INSULATORS: GLASS-FILLED THERMOPLASTIC UL94V-0, COLOR IN BLACK.
 CONTACTS: COPPER ALLOY, SELECTIVE GOLD ON CONTACT AREA,
 100u" Min MATTE TIN TOP OVER SOLDER AREA,
 30u" Min NICKEL UNDER PLATE.
 SHELL: STEEL, 100u" Min NICKEL TOP OVER,
 50u" Min COPPER UNDER PLATE.
 BOARD LOCK : COPPER ALLOY,100u" Min MATTE TIN PLATED.

3.PART NUMBER DESCRIPTION:
10090097-P XX 4 X LF
 SERIES NO. _____
 TYPE _____
 P: PIN (MALE)
 NUMBER OF CONTACTS _____
 09: 9-PIN
 15: 15-PIN
 25: 25-PIN
 37: 37-PIN
 LF: ROHS COMPLIANT
 FLANGE MOUNTING OPTION
 X: UNC #4-40 CLINCHNUTS
 CONTACT FINISH
 4: GOLD FLASH

POS.	PART NO.	THREAD TYPE
09P	10090097-P094XLF	UNC 4-40
15P	10090097-P154XLF	UNC 4-40
25P	10090097-P254XLF	UNC 4-40
37P	10090097-P374XLF	UNC 4-40

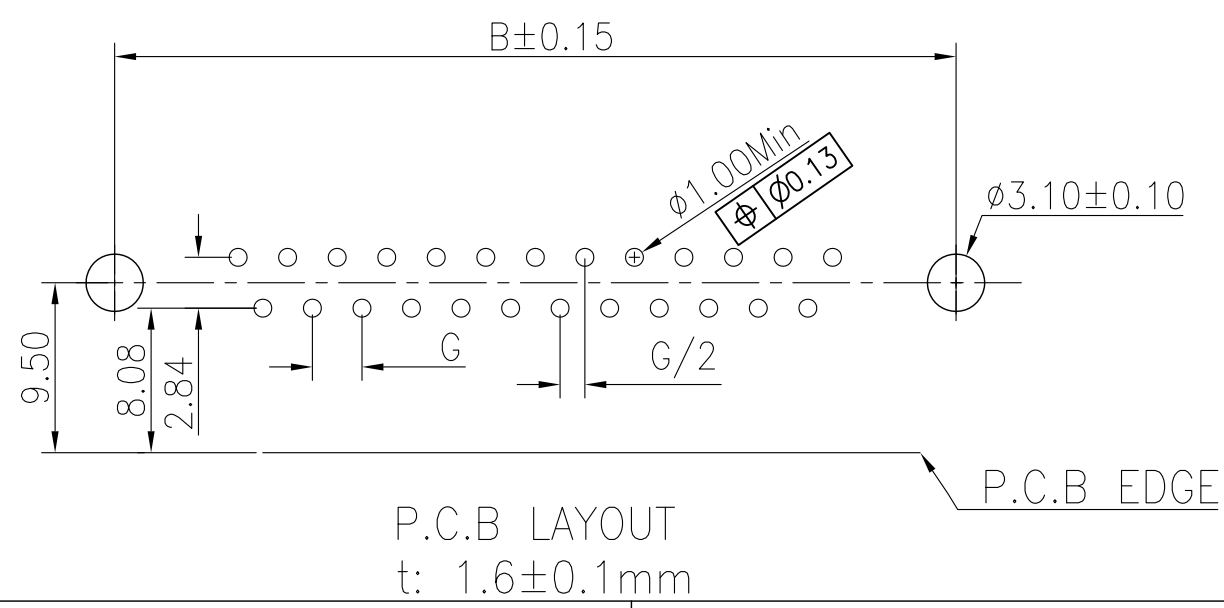
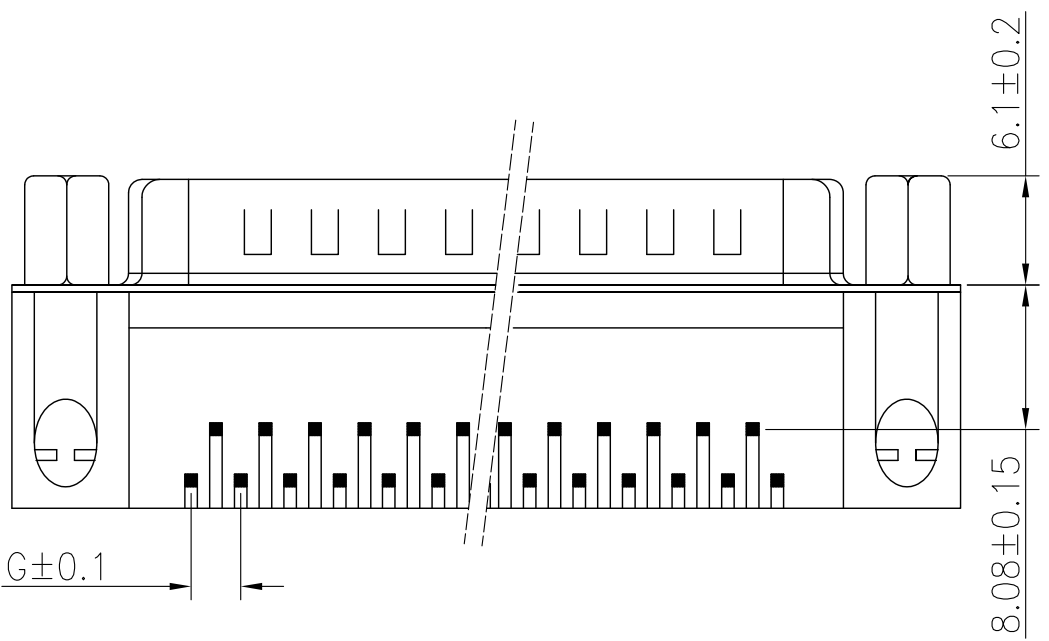
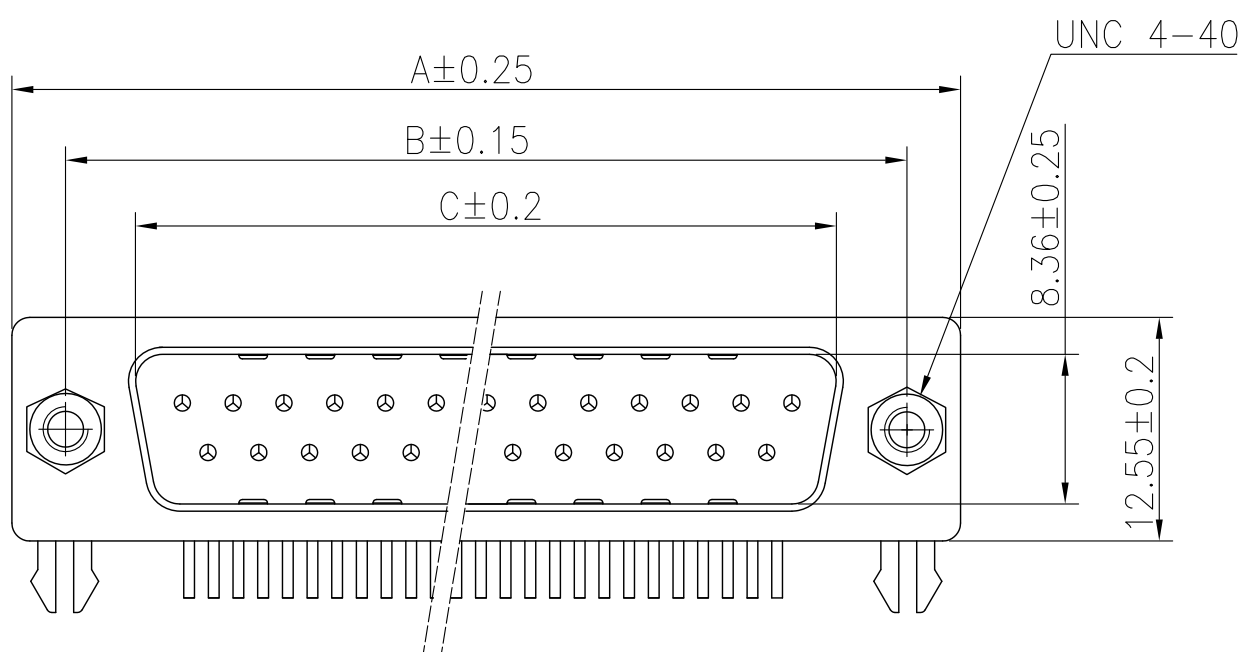
POS.	A	B	C	G	H
09P	30.81	24.99	16.92	2.74	5.90 ^{+0.15} ₋₀
15P	39.24	33.32	25.25	2.74	5.90 ^{+0.15} ₋₀
25P	53.04	47.04	38.96	2.77	5.70 ^{+0.25} ₋₀
37P	69.32	63.50	55.42	2.77	5.70 ^{+0.25} ₋₀

mat'l. code				tolerances unless otherwise specified			CUSTOMER COPY		FCI		
ltr	ecn no	dr	date	linear	.X ± 0.38		projection	www.fciconnect.com			
A	T09-1033	J.H	3/13/09		.XX ± 0.25			title	D-SUB MALE RIGHT-ANGLE US STYLE		
B	T09-1044	J.H	4/2/09	angles	.XXX ± 0.10		MM		product family		D-SUB
C	ELX-I-13433	A.B	9/11/12		0° ±2°			scale	size		dwg no
D	ELX-I-15500	A.B	2013/08/21	dr	JASON HSU	3/12/09	1:1		A4		10090097
				enr	ALIAS BABU	2013/08/21					
				chr	MITHUN PAUL	2013/08/21					1 of 2
				appd	BIJU.K.PAUL	2013/08/21					
sheet index	revision	D	D								
	sheet	1	2								

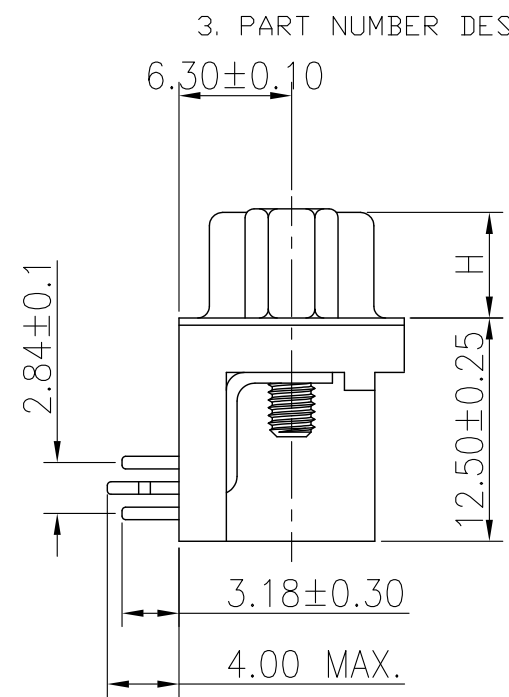
Tous droits strictement reserves. Reproduction ou communication a des tiers interdite sous quelque forme que ce soit sans autorisation ecrite du proprietaire. Propriete de c FCI. Droits de reproduction FCI.



All rights strictly reserved. Reproduction or issue to third parties in any form whatever is not permitted without written authority from the proprietor. Property of FCI. Copyright FCI.



REMARK:
 1.CHARACTERISTICS:
 RATED VOLTAGE: 250V
 RATED CURRENT: 5AMP
 CONTACT RESISTANCE: 25mohms MAX.INITIAL; 40mohms MAX.AFTER
 INSULATION RESISTANCE: 5000Mohms MIN.at 500V DC
 DIELECTRIC STRENGTH: 1000VRMS
 OPERATING TEMPERATURE RANGE: -55°C ~ 105°C
 INSERTION/EXTRACTION FORCE PER CONTACT : 5N Max./0.3N Min.
 MATING/UNMATING CYCLES:50MATINGS MIN.
 2.MATERIAL:
 INSULATORS: GLASS-FILLED THERMOPLASTIC UL94V-0, COLOR IN BLACK.
 CONTACTS: COPPER ALLOY,SELECTIVE GOLD ON CONTACT AREA,
 100u" Min MATTE TIN TOP OVER SOLDER AREA,
 30u" Min NICKEL UNDER PLATE.
 SHELL: STEEL,100u" Min NICKEL TOP OVER,
 50u" Min COPPER UNDER PLATE.
 BOARD LOCK:COPPER ALLOY,100u" Min MATTE TIN PLATED.
 SCREW LOCK: COPPER ALLOY, 100u" Min BRIGHT NICKEL PLATED.



3. PART NUMBER DESCRIPTION:
 SERIES NO. 10090097-P XX 4 V LF
 TYPE _____
 P: PIN (MALE)
 NUMBER OF CONTACTS _____
 09: 9-PIN
 15: 15-PIN
 25: 25-PIN
 37: 37-PIN
 LF: ROHS COMPLIANT
 FLANGE MOUNTING OPTION
 V: UNC #4-40 SCREWLOCKS
 CONTACT FINISH
 4: FLASH GOLD

POS.	PART NO.	A	B	C	G	H
09P	10090097-P094VLF	30.81	24.99	16.92	2.74	5.90 ^{+0.15} ₋₀
15P	10090097-P154VLF	39.24	33.32	25.25	2.74	5.90 ^{+0.15} ₋₀
25P	10090097-P254VLF	53.04	47.04	38.96	2.77	5.70 ^{+0.25} ₋₀
37P	10090097-P374VLF	69.32	63.50	55.42	2.77	5.70 ^{+0.25} ₋₀

mat'l. code				tolerances unless otherwise specified		CUSTOMER COPY		FCI		www.fciconnect.com	
ltr	ecn no	dr	date	linear	.X ± 0.38	projection	title D-SUB MALE RIGHT-ANGLE US STYLE				
D				angles	.XX ± 0.25		product family D-SUB		code TWN		
				dr	.XXX ± 0.10		MM	size		sheet 2 of 2	
				enr	0° ±2°	scale	10090097				
				chr	JASON HSU 3/12/09	1:1	A4				
				appd	ALIAS BABU 2013/08/21						
sheet index	revision sheet				MITHUN PAUL 2013/08/21						
					BIJU.K.PAUL 2013/08/21						