



Chipsmall Limited consists of a professional team with an average of over 10 year of expertise in the distribution of electronic components. Based in Hongkong, we have already established firm and mutual-benefit business relationships with customers from,Europe,America and south Asia,supplying obsolete and hard-to-find components to meet their specific needs.

With the principle of “Quality Parts,Customers Priority,Honest Operation,and Considerate Service”,our business mainly focus on the distribution of electronic components. Line cards we deal with include Microchip,ALPS,ROHM,Xilinx,Pulse,ON,Everlight and Freescale. Main products comprise IC,Modules,Potentiometer,IC Socket,Relay,Connector.Our parts cover such applications as commercial,industrial, and automotives areas.

We are looking forward to setting up business relationship with you and hope to provide you with the best service and solution. Let us make a better world for our industry!



## Contact us

Tel: +86-755-8981 8866 Fax: +86-755-8427 6832

Email & Skype: info@chipsmall.com Web: www.chipsmall.com

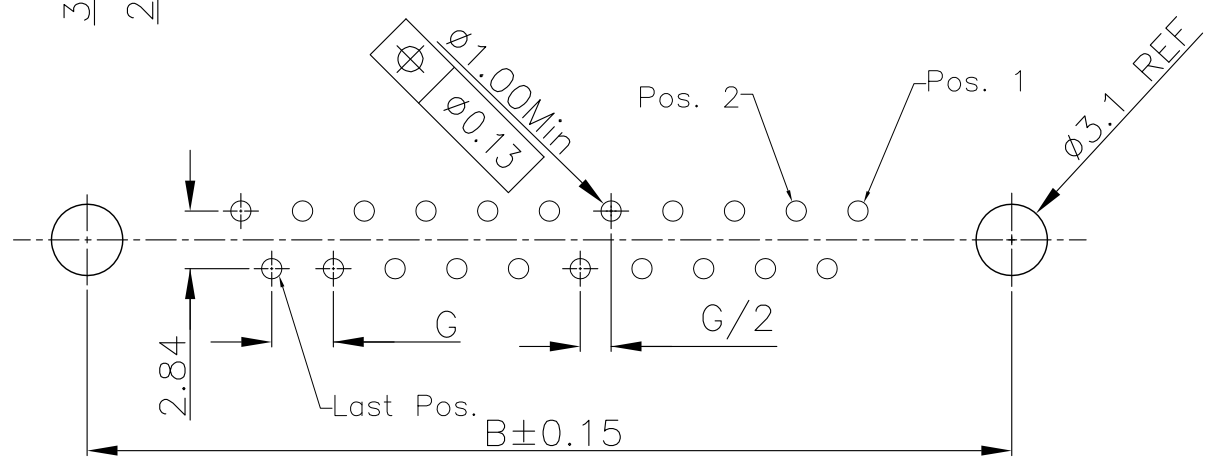
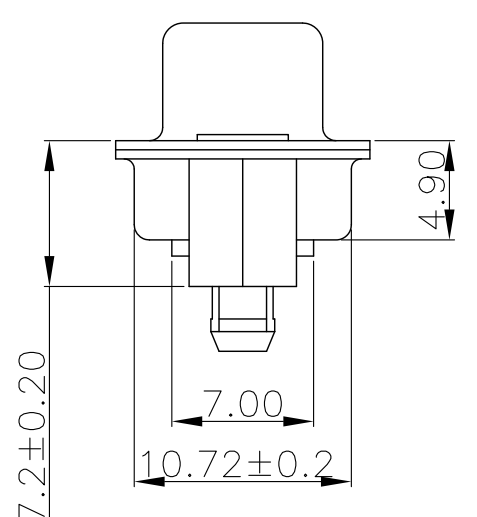
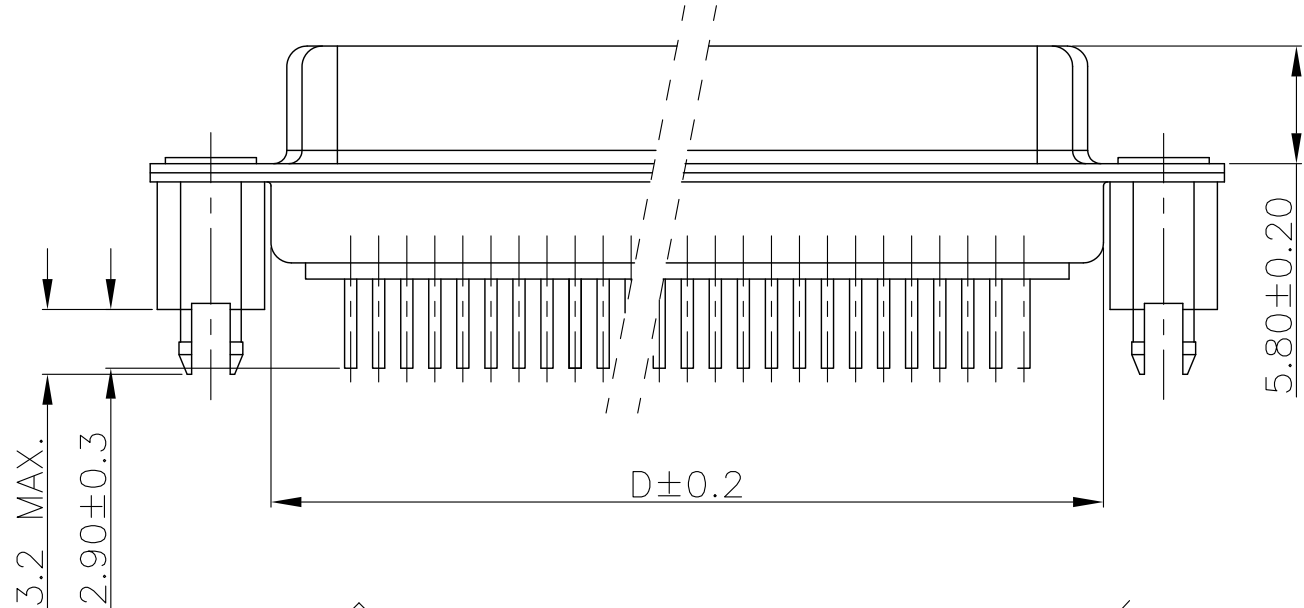
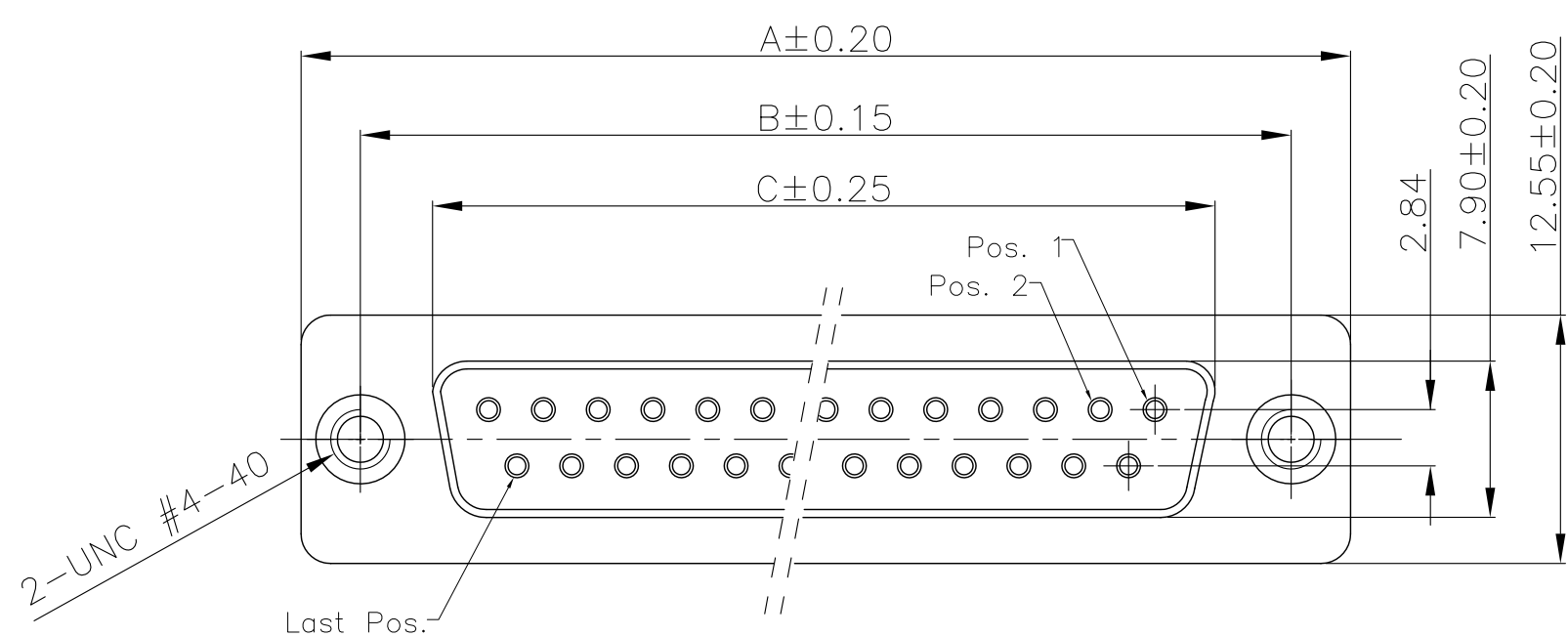
Address: A1208, Overseas Decoration Building, #122 Zhenhua RD., Futian, Shenzhen, China



Tous droits strictement reserves. Reproduction ou communication a des tiers interdite sous quelque forme que ce soit sans autorisation ecrite du proprietaire. Propriete de c FCI. Droits de reproduction FCI.



All rights strictly reserved. Reproduction or issue to third parties in any form whatever is not permitted without written authority from the proprietor. Property of FCI. Copyright FCI.



P.C.B LAYOUT  
t: 1.6±0.1MM

REMARK:  
1.CHARACTERISTICS:  
RATED VOLTAGE: 250V  
RATED CURRENT: 5AMP  
CONTACT RESISTANCE: 25mohms MAX.INITIAL;40mohms MAX.AFTER.  
INSULATION RESISTANCE: 5000Mohms MIN.at 500V DC  
DIELECTRIC STRENGTH: 1000VRMS  
OPERATING TEMPERATURE RANGE: -55°C~105°C  
INSERTION/EXTRACTION FORCE PER CONTACT:5N Max./0.3N Min.  
MATING/UNMATING CYCLES:50MATINGS MIN.

2.MATERIAL:  
INSULATORS: GLASS-FILLED THERMOPLASTIC UL94V-0, COLOR IN BLACK.  
CONTACTS: COPPER ALLOY, SELECTIVE GOLD ON CONTACT AREA,  
100u" Min MATTE TIN TOP OVER SOLDER AREA,  
30u" Min NICKEL UNDER PLATE.  
SHELL: STEEL,100u" Min NICKEL TOP OVER,  
50u" Min COPPER UNDER PLATE.  
CLINCH NUT :COPPER ALLOY,100u" Min MATTE TIN PLATED.

3. PART NUMBER DESCRIPTION:

**10090098-S XX 4 X LF**

SERIES NO. \_\_\_\_\_  
TYPE \_\_\_\_\_  
S: SOCKET (FEMALE)  
NUMBER OF CONTACTS \_\_\_\_\_  
09: 9-PIN  
15: 15-PIN  
25: 25-PIN  
37: 37-PIN

LF: ROHS COMPLIANT  
FLANGE MOUNTING OPTION  
X: UNC #4-40 CLINCHNUTS  
CONTACT FINISH  
4: GOLD FLASH

POS.	PART NO.	THREAD TYPE
9	10090098-S094XLF	UNC 4-40
15	10090098-S154XLF	UNC 4-40
25	10090098-S254XLF	UNC 4-40
37	10090098-S374XLF	UNC 4-40

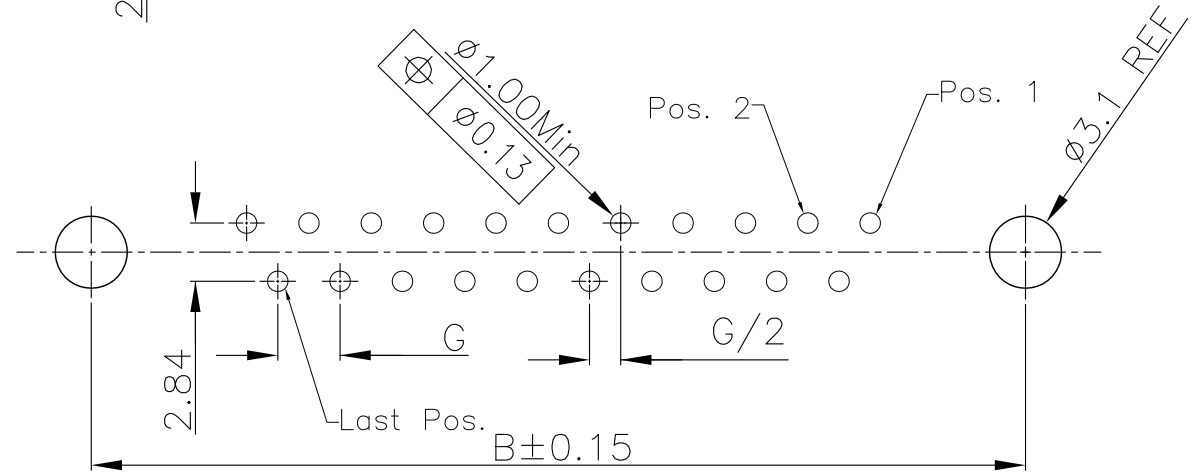
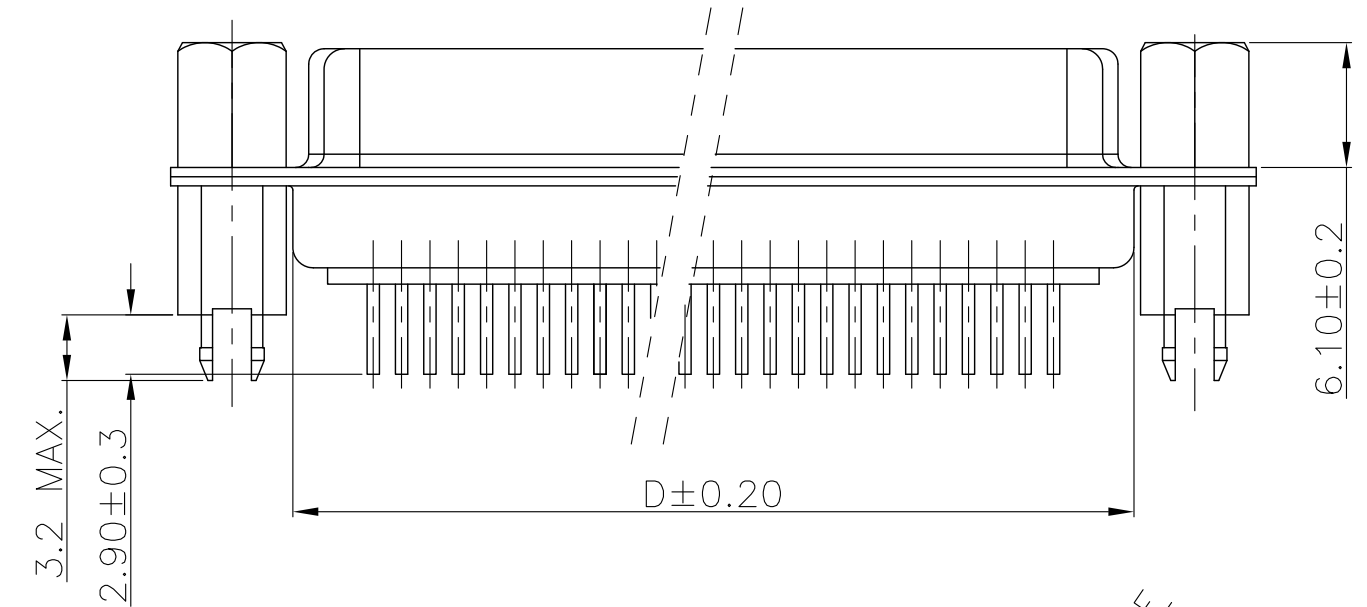
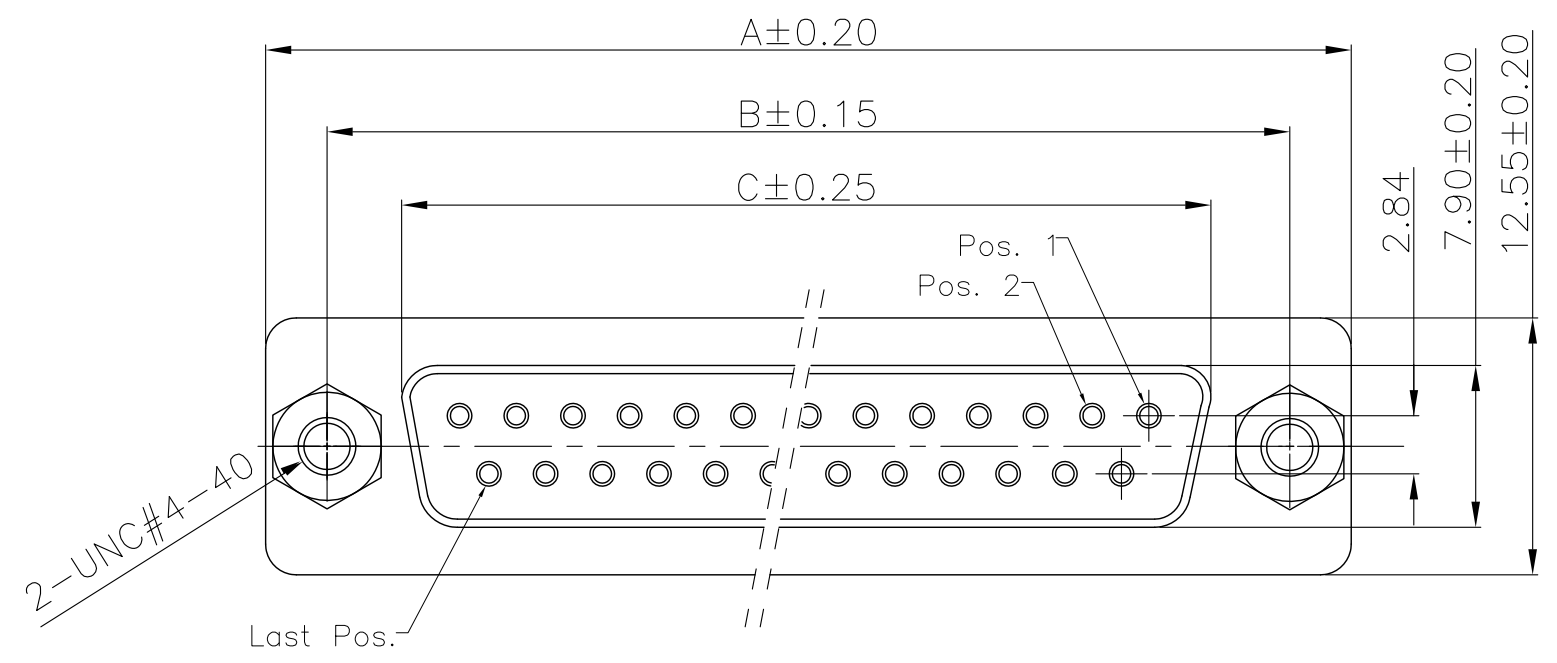
POS.	A	B	C	D	G
09	30.81	24.99	16.33	19.28	2.74
15	39.24	33.32	24.66	27.75	2.74
25	53.04	47.04	38.38	41.30	2.77
37	69.32	63.50	54.84	57.40	2.77

mat'l. code				tolerances unless otherwise specified			CUSTOMER COPY		FCI www.fciconnect.com		
ltr	ecn no	dr	date	linear	.X ± 0.38		projection	title D-SUB FEMALE STRAIGHT			
A	T09-1033	J.H	3/13/09		.XX ± 0.25						
B	T09-1044	J.H	4/2/09		.XXX ± 0.10						
C	ELX-I-15340	M.P	07/25/13		0° ±2°						
D	ELX-I-15500	A.B	2013/08/21	dr	JASON HSU	3/12/09	MM	product family D-SUB		code	
				engr	ALIAS BABU	2013/08/21		scale 1:1	size dwg no		TWN
				chr	MITHUN PAUL	2013/08/21			A4 10090098		sheet
				appd	BIJU K PAUL	2013/08/21					1 of 2
sheet index	revision sheet	D	D								
		1	2								

Tous droits strictement reserves. Reproduction ou communication a des tiers interdite sous quelque forme que ce soit sans autorisation ecrite duproprietaire. Propriete de c FCI. Droits de reproduction FCI.



All rights strictly reserved. Reproduction or issue to third parties in any form whatever is not permitted without written authority from the proprietor. Property of FCI. Copyright FCI.

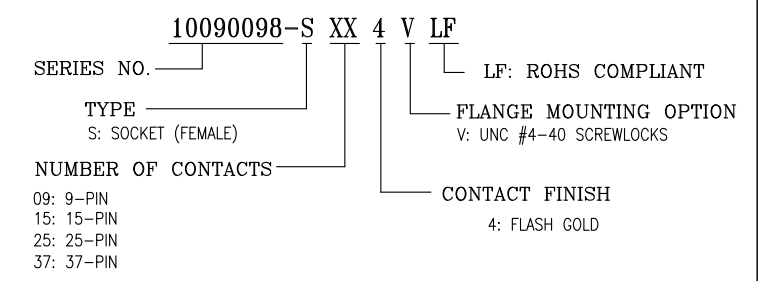


P.C.B LAYOUT  
t: 1.6±0.1MM

REMARK:

- 1.CHARACTERISTICS:  
 RATED VOLTAGE: 250V  
 RATED CURRENT: 5AMP  
 CONTACT RESISTANCE: 25mohms MAX.INITIAL ;40mohms MAX.AFTER.  
 INSULATION RESISTANCE: 5000Mohms MIN.at 500V DC  
 DIELECTRIC STRENGTH: 1000VRMS  
 OPERATING TEMPERATURE RANGE: -55°C~105°C  
 INSERTION/EXTRACTION FORCE PER CONTACT :5N Max./0.3N Min.  
 MATING/UNMATING CYCLES :50MATINGS MIN.
- 2.MATERIAL:  
 INSULATORS: GLASS-FILLED THERMOPLASTIC UL94V-0, COLOR IN BLACK.  
 CONTACTS: COPPER ALLOY,SELECTIVE GOLD ON CONTACT AREA,  
 100u" Min MATTE TIN TOP OVER SOLDER AREA,  
 30u" Min NICKEL UNDER PLATE.  
 SHELL: STEEL,100u" Min NICKEL TOP OVER,  
 50u" Min COPPER UNDER PLATE.  
 CLINCH NUT :COPPER ALLOY,100u" Min MATTE TIN PLATED.  
 SCREW LOCK: COPPER ALLOY, 100u" Min BRIGHT NICKEL PLATED.

3. PART NUMBER DESCRIPTION:



POS.	PART NO.	A	B	C	D	G
09	10090098-S094VLF	30.81	24.99	16.33	19.28	2.74
15	10090098-S154VLF	39.24	33.32	24.66	27.75	2.74
25	10090098-S254VLF	53.04	47.04	38.38	41.30	2.77
37	10090098-S374VLF	69.32	63.50	54.84	57.40	2.77

mat'l. code				tolerances unless otherwise specified			CUSTOMER COPY		FCI www.fciconnect.com	
ltr	ecn no	dr	date	linear	.X ± 0.38	projection	title			
D					.XX ± 0.25		D-SUB FEMALE STRAIGHT			
				angles	.XXX ± 0.10					
				dr	JASON HSU 3/12/09		product family		D-SUB	
				enrg	ALIAS BABU 2013/08/21		size	dwg no		code
				chr	MITHUN PAUL 2013/08/21	scale	A4		10090098	
				appd	BIJU K PAUL 2013/08/21		1:1			sheet 2 of 2
sheet index	revision sheet									