



Chipsmall Limited consists of a professional team with an average of over 10 year of expertise in the distribution of electronic components. Based in Hongkong, we have already established firm and mutual-benefit business relationships with customers from,Europe,America and south Asia,supplying obsolete and hard-to-find components to meet their specific needs.

With the principle of “Quality Parts,Customers Priority,Honest Operation,and Considerate Service”,our business mainly focus on the distribution of electronic components. Line cards we deal with include Microchip,ALPS,ROHM,Xilinx,Pulse,ON,Everlight and Freescale. Main products comprise IC,Modules,Potentiometer,IC Socket,Relay,Connector.Our parts cover such applications as commercial,industrial, and automotives areas.

We are looking forward to setting up business relationship with you and hope to provide you with the best service and solution. Let us make a better world for our industry!



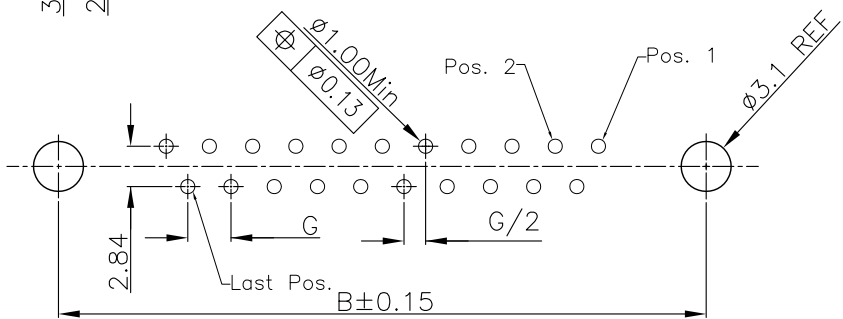
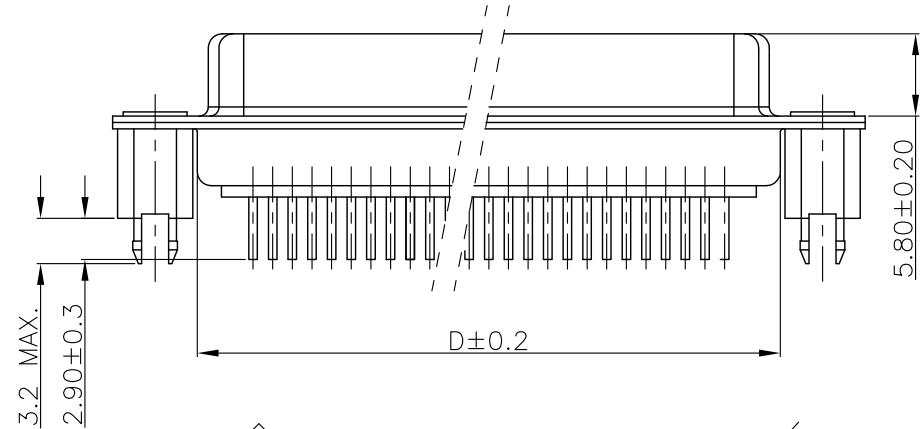
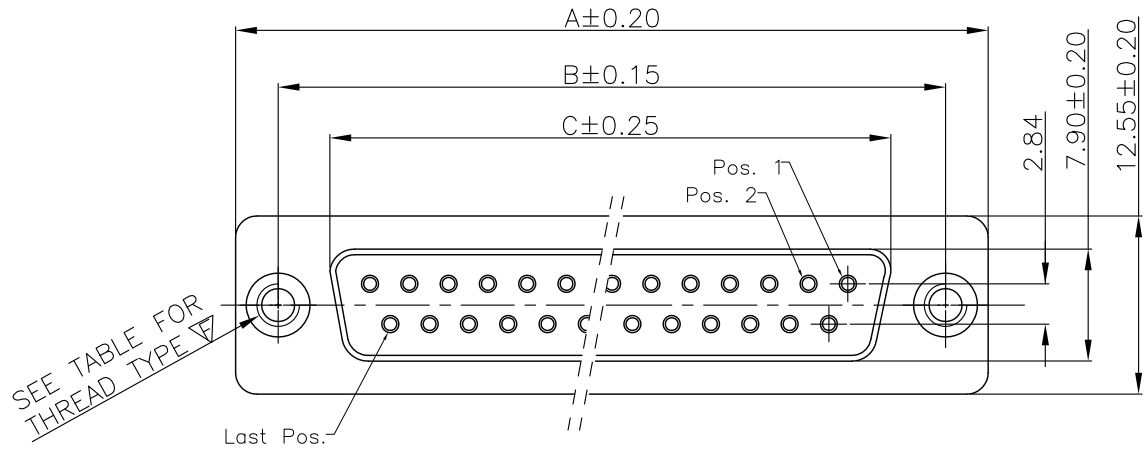
Contact us

Tel: +86-755-8981 8866 Fax: +86-755-8427 6832

Email & Skype: info@chipsmall.com Web: www.chipsmall.com

Address: A1208, Overseas Decoration Building, #122 Zhenhua RD., Futian, Shenzhen, China





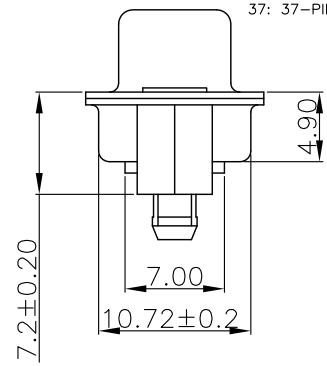
P.C.B LAYOUT
t: 1.6±0.1MM

REMARK:
1. CHARACTERISTICS:
RATED VOLTAGE: 250V
RATED CURRENT: 5AMP
CONTACT RESISTANCE: 25mohms MAX. INITIAL; 40mohms MAX. AFTER.
INSULATION RESISTANCE: 5000Mohms MIN. at 500V DC
DIELECTRIC STRENGTH: 1000VRMS
OPERATING TEMPERATURE RANGE: -55°C ~ 105°C
INSERTION/EXTRACTION FORCE PER CONTACT: 5N Max. / 0.3N Min.
MATING/UNMATING CYCLES: 50MATINGS MIN.

2. MATERIAL:
INSULATORS: GLASS-FILLED THERMOPLASTIC UL94V-0, COLOR IN BLACK.
CONTACTS: COPPER ALLOY, SELECTIVE GOLD ON CONTACT AREA,
100u" Min MATTE TIN TOP OVER SOLDER AREA,
30u" Min NICKEL UNDER PLATE.
SHELL: STEEL, 100u" Min NICKEL TOP OVER,
50u" Min COPPER UNDER PLATE.
CLINCH NUT: COPPER ALLOY, 100u" Min MATTE TIN PLATED.

3. PART NUMBER DESCRIPTION: **10090098-S XX X X LF**

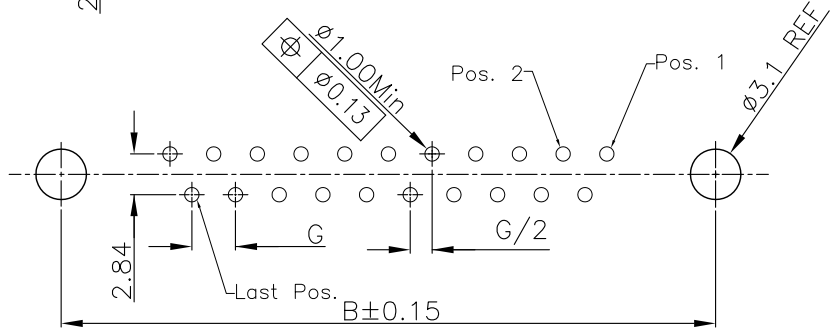
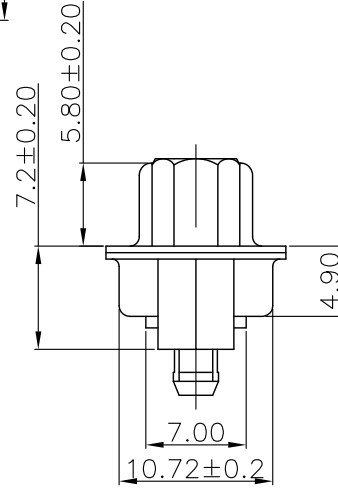
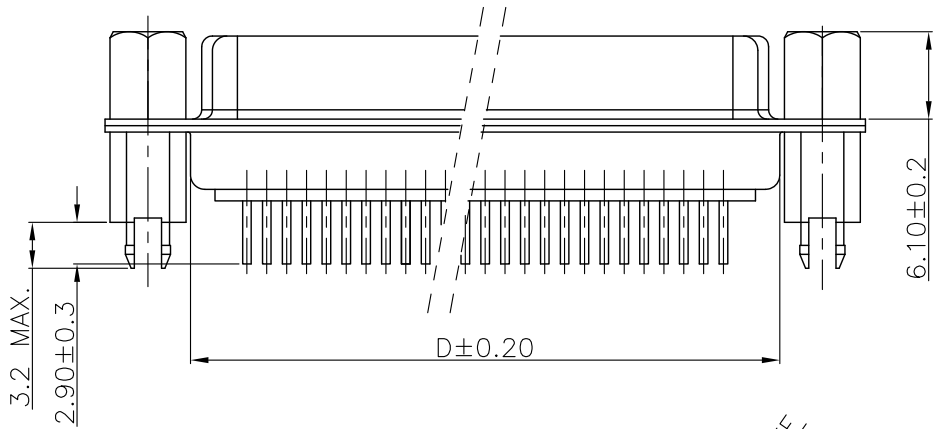
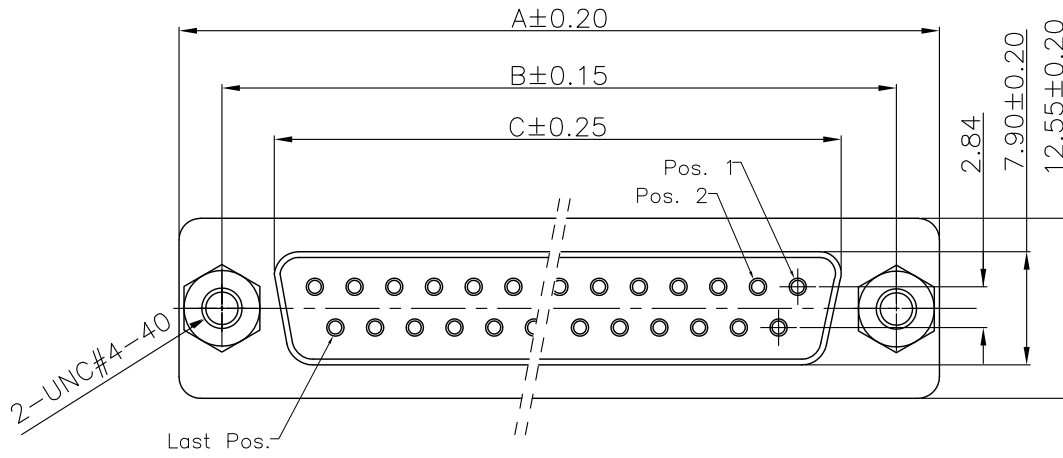
SERIES NO. _____ LF: ROHS COMPLIANT
TYPE _____ FLANGE MOUNTING OPTION
S: SOCKET (FEMALE) X: UNC #4-40 CLINCHNUTS
L: M3 CLINCHNUTS
NUMBER OF CONTACTS _____ CONTACT FINISH
09: 9-PIN 4: GOLD FLASH
15: 15-PIN 6: 30u" PLATING OPTION
25: 25-PIN AVAILABLE ON REQUEST
37: 37-PIN



POS.	PART NO.	THREAD TYPE
9	10090098-S09*LLF	M3X0.5
15	10090098-S15*LLF	M3X0.5
25	10090098-S25*LLF	M3X0.5
37	10090098-S37*LLF	M3X0.5
9	10090098-S09*XLF	UNC 4-40
15	10090098-S15*XLF	UNC 4-40
25	10090098-S25*XLF	UNC 4-40
37	10090098-S37*XLF	UNC 4-40

POS.	A	B	C	D	G
09	30.81	24.99	16.33	19.28	2.74
15	39.24	33.32	24.66	27.75	2.74
25	53.04	47.04	38.38	41.30	2.77
37	69.32	63.50	54.84	57.40	2.77

mat'l. code				tolerances unless otherwise specified			CUSTOMER COPY		FCI www.fciconnect.com	
ltr	ecn no	dr	date	linear	.X ± 0.38		projection	title		
A	T09-1033	J.H	3/13/09		.XX ± 0.25			D-SUB FEMALE STRAIGHT		
B	T09-1044	J.H	4/2/09		.XXX ± 0.10			product family D-SUB code TWN		
C	ELX-I-15340	MP	07/25/13	angles	0° ± 2°		MM scale 1:1	size dwg no		
				dr	JASON HSU	3/12/09		10090098		sheet 1 of 2
				enr	JASON HSU	3/12/09				
				chr	MITHUN PAUL	07/25/13				
				appd	BIJU K PAUL	07/25/13				
sheet index	revision sheet	C 1	C 2							



P.C.B LAYOUT
t: 1.6±0.1MM

REMARK:

1. CHARACTERISTICS:

RATED VOLTAGE: 250V
RATED CURRENT: 5AMP
CONTACT RESISTANCE: 25mohms MAX. INITIAL; 40mohms MAX. AFTER.
INSULATION RESISTANCE: 5000Mohms MIN. at 500V DC
DIELECTRIC STRENGTH: 1000VRMS
OPERATING TEMPERATURE RANGE: -55°C~105°C
INSERTION/EXTRACTION FORCE PER CONTACT: 5N Max. /0.3N Min.
MATING/UNMATING CYCLES: 50MATINGS MIN.

2. MATERIAL:

INSULATORS: GLASS-FILLED THERMOPLASTIC UL94V-0, COLOR IN BLACK.
CONTACTS: COPPER ALLOY, SELECTIVE GOLD ON CONTACT AREA,
100u" Min MATTE TIN TOP OVER SOLDER AREA,
30u" Min NICKEL UNDER PLATE.
SHELL: STEEL, 100u" Min NICKEL TOP OVER,
50u" Min COPPER UNDER PLATE.
CLINCH NUT: COPPER ALLOY, 100u" Min MATTE TIN PLATED.
SCREW LOCK: COPPER ALLOY, 100u" Min BRIGHT NICKEL PLATED.

3. PART NUMBER DESCRIPTION: 10090098-S XX X X LF

SERIES NO. _____ LF: ROHS COMPLIANT
TYPE _____ FLANGE MOUNTING OPTION
S: SOCKET (FEMALE) v: UNC #4-40 SCREWLOCKS
NUMBER OF CONTACTS _____ CONTACT FINISH
09: 9-PIN
15: 15-PIN
25: 25-PIN
37: 37-PIN
4: FLASH GOLD
6: 30u" PLATING OPTION AVAILABLE ON REQUEST

POS.	PART NO.	A	B	C	D	G
09	10090098-S09*VLF	30.81	24.99	16.33	19.28	2.74
15	10090098-S15*VLF	39.24	33.32	24.66	27.75	2.74
25	10090098-S25*VLF	53.04	47.04	38.38	41.30	2.77
37	10090098-S37*VLF	69.32	63.50	54.84	57.40	2.77

mat'l. code				tolerances unless otherwise specified			CUSTOMER COPY		FCI		www.fciconnect.com	
ltr	ecn no	dr	date	linear	.X ± 0.38	projection	title					
c					.XX ± 0.25		D-SUB FEMALE STRAIGHT					
				angles	.XXX ± 0.10							
				dr	JASON HSU 3/12/09		product family		D-SUB		code	
				enr	JASON HSU 3/12/09		size		dwg no		TWN	
				chr	MITHUN PAUL 07/25/13		10090098		sheet		2 of 2	
				appd	BIJU K PAUL 07/25/13		A4					
sheet index	revision sheet					scale	1:1					