



Chipsmall Limited consists of a professional team with an average of over 10 year of expertise in the distribution of electronic components. Based in Hongkong, we have already established firm and mutual-benefit business relationships with customers from,Europe,America and south Asia,supplying obsolete and hard-to-find components to meet their specific needs.

With the principle of “Quality Parts,Customers Priority,Honest Operation,and Considerate Service”,our business mainly focus on the distribution of electronic components. Line cards we deal with include Microchip,ALPS,ROHM,Xilinx,Pulse,ON,Everlight and Freescale. Main products comprise IC,Modules,Potentiometer,IC Socket,Relay,Connector.Our parts cover such applications as commercial,industrial, and automotives areas.

We are looking forward to setting up business relationship with you and hope to provide you with the best service and solution. Let us make a better world for our industry!



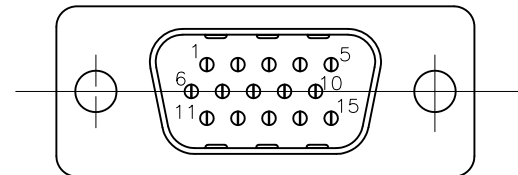
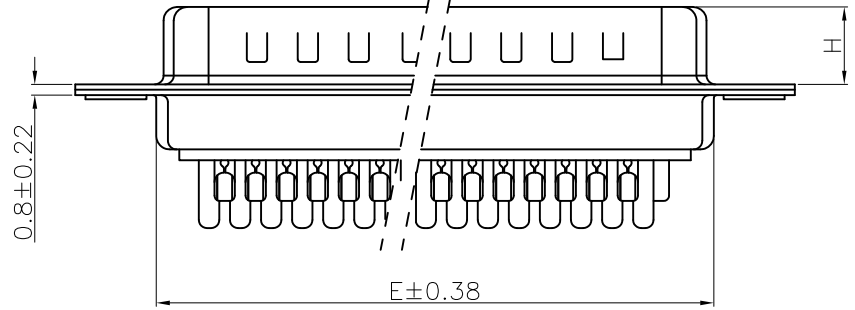
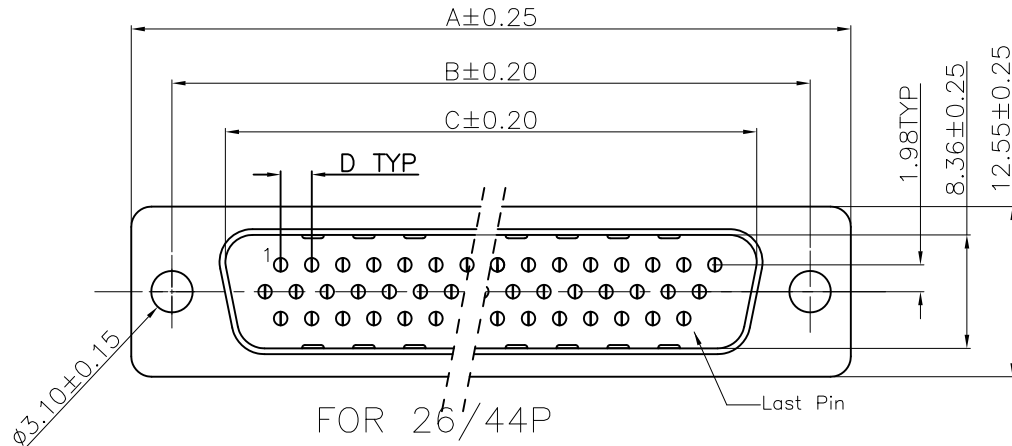
Contact us

Tel: +86-755-8981 8866 Fax: +86-755-8427 6832

Email & Skype: info@chipsmall.com Web: www.chipsmall.com

Address: A1208, Overseas Decoration Building, #122 Zhenhua RD., Futian, Shenzhen, China





FOR 15P

POS.	PART NO.	A	B	C	D	E	H
15	10090769-P154ALF	30.81	24.99	16.92	2.29	19.10	5.90 ^{+0.25} ₋₀
26	10090769-P264ALF	39.24	33.32	25.25	2.29	27.75	5.90 ^{+0.25} ₋₀
44	10090769-P444ALF	53.04	47.04	38.96	2.29	41.30	5.70 ^{+0.25} ₋₀

REMARK:

1. CHARACTERISTICS:

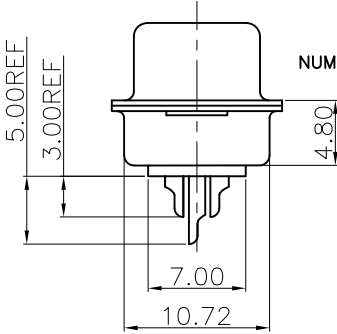
RATED VOLTAGE: 250V
 RATED CURRENT: 2.5AMP
 CONTACT RESISTANCE: 25mohms MAX. INITIAL,
 40mohms MAX. AFTER.
 INSULATION RESISTANCE: 5000Mohms MIN. at 500V DC
 DIELECTRIC STRENGTH: 750VRMS
 OPERATING TEMPERATURE RANGE: -55C° ~105C°
 INSERTION/EXTRACTION FORCE PER CONTACT: 5N Max./0.2N Min.
 MATING/UNMATING CYCLES: 50MATINGS MIN FOR GOLD-FLASH

2. MATERIAL:

INSULATORS: THERMOPLASTIC G. F (UL94V-0) BLACK
 CONTACTS: COPPER ALLOY, GOLD (G/F) TOP OVER CONTACT
 AREA, 100u" Min MATTE TIN TOP OVER SOLDER AREA,
 50u" Min NICKEL UNDER PLATE.
 SHELL: CARBON STEEL, 100u" Min NICKEL TOP OVER,
 50u" Min COPPER UNDER PLATE.

3. PART NUMBER DESCRIPTION: 10090769-P XX 4 A LF

SERIES NO. []
 TYPE: P: PIN (MALE)
 NUMBER OF CONTACTS:
 15: 15-PIN
 26: 26-PIN
 44: 44-PIN
 LF: ROHS COMPLIANT
 FLANGE MOUNTING OPTION
 A: STANDARD HOLE
 CONTACT FINISH
 4: GOLD FLASH



POS.	WIRE AWG
15	24~28
26	24~28
44	24~28

mat'l. code		surface		tolerance		projection		product family	
SEE NOTES		ISO 1302	ISO 406	ISO 1101	MM		D-SUB		
ltr	ecn no	dr	date	tolerances unless otherwise specified		MM		title	
C	ELX-I-20164	AB	2015/02/03	angles	metal	.X ± 0.38		H/D D-SUB MALE SOLDER BUCKET	
D	ELX-I-20490	MP	2015/03/17			.XX ± 0.25		-	
E	ELX-I-20972	AB	2015/05/30	0° ± 2'		.XXX ± 0.10		scale 1:1	
-		-		dr	JASON HSU	12/10/09		dwg no	
-		-		engr	ALIAS BABU	2015/02/03		sheet 1 of 1	
-		-		chr	MITHUN PAUL	2015/02/03		size	
-		-		appd	BIJU K PAUL	2015/02/03		A4	
sheet		revision		E	-	-	-	10090769	
index		sheet		1	-	-	-	type PRODUCT_CUSTOMER Drawing	