



Chipsmall Limited consists of a professional team with an average of over 10 year of expertise in the distribution of electronic components. Based in Hongkong, we have already established firm and mutual-benefit business relationships with customers from,Europe,America and south Asia,supplying obsolete and hard-to-find components to meet their specific needs.

With the principle of "Quality Parts,Customers Priority,Honest Operation,and Considerate Service",our business mainly focus on the distribution of electronic components. Line cards we deal with include Microchip,ALPS,ROHM,Xilinx,Pulse,ON,Everlight and Freescale. Main products comprise IC,Modules,Potentiometer,IC Socket,Relay,Connector.Our parts cover such applications as commercial,industrial, and automotives areas.

We are looking forward to setting up business relationship with you and hope to provide you with the best service and solution. Let us make a better world for our industry!



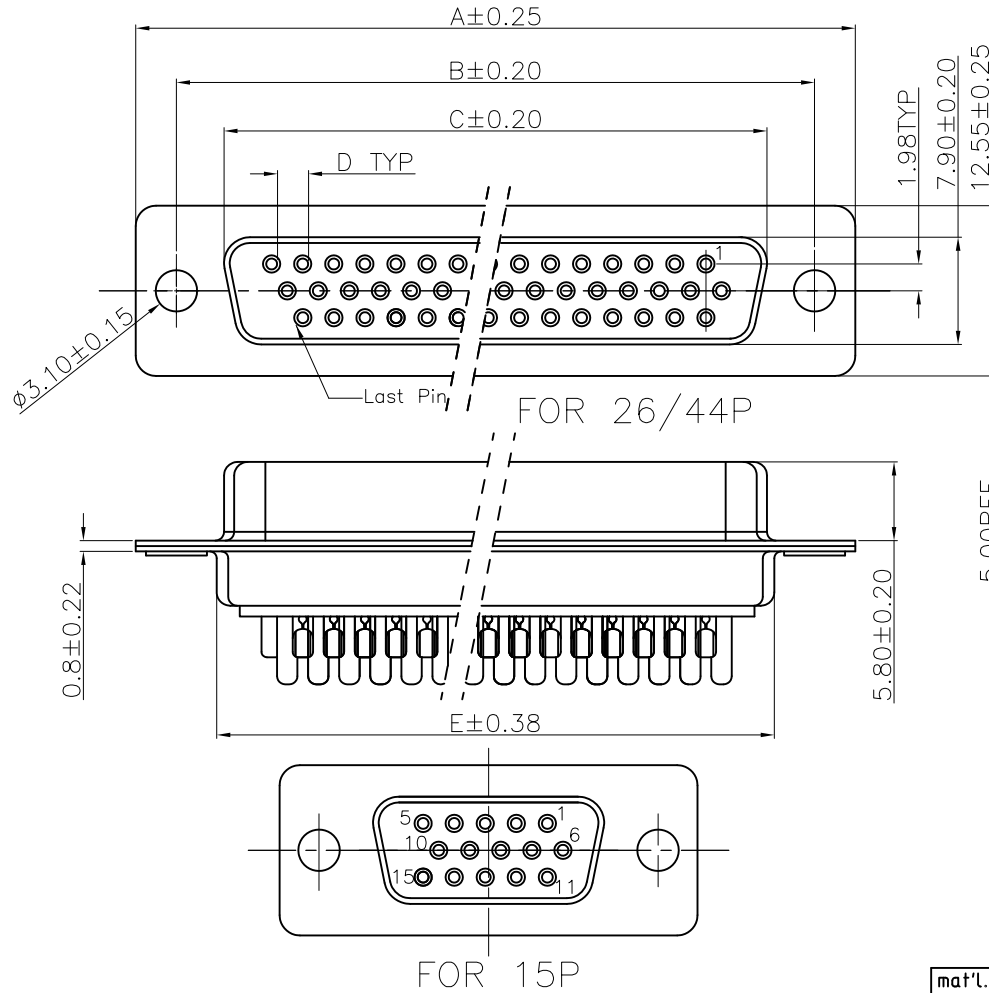
Contact us

Tel: +86-755-8981 8866 Fax: +86-755-8427 6832

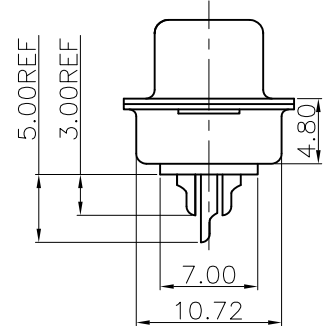
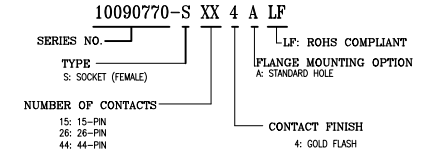
Email & Skype: info@chipsmall.com Web: www.chipsmall.com

Address: A1208, Overseas Decoration Building, #122 Zhenhua RD., Futian, Shenzhen, China





REMARK:
 1. CHARACTERISTICS:
 RATED VOLTAGE: 250V
 RATED CURRENT: 2.5AMP
 CONTACT RESISTANCE: 25mohms MAX. INITIAL,
 40mohms MAX. AFTER.
 INSULATION RESISTANCE: 5000Mohms MIN. at 500V DC
 DIELECTRIC STRENGTH: 750VRMS
 OPERATING TEMPERATURE RANGE: -55°C ~105°C
 INSERTION/EXTRACTION FORCE PER CONTACT: 5N Max. /0.2N Min.
 MATING/UNMATING CYCLES: 50MATINGS MIN FOR GOLD-FLASH
 2. MATERIAL:
 INSULATORS: THERMOPLASTIC G.F(UL94V-0) BLACK
 CONTACTS: COPPER ALLOY, GOLD(G/F) TOP OVER CONTACT
 AREA, 100u" Min MATTE TIN TOP OVER SOLDER AREA,
 50u" Min NICKEL UNDER PLATE.
 SHELL: CARBON STEEL, 100u" Min NICKEL TOP OVER,
 50u" Min COPPER UNDER PLATE.
 3. PART NUMBER DESCRIPTION:



POS.	WIRE AWG
15	24~28
26	24~28
44	24~28

POS.	PART NO.	A	B	C	D	E
15	10090770-S154ALF	30.81	24.99	16.33	2.29	19.10
26	10090770-S264ALF	39.24	33.32	24.66	2.29	27.75
44	10090770-S444ALF	53.04	47.04	38.38	2.29	41.30

mat'l. code				surface		tolerance		projection		product family		
SEE NOTES				ISO 1302	ISO 406	ISO 1101	MM		D-SUB			
ltr	ecn no	dr	date	tolerances unless otherwise specified		MM		title		H/D D-SUB FEMALE SOLDER BUCKET		
D	ELX-I-20972	AB	2015/05/30	angles	.X ± 0.38	MM		scale 1:1		-		
-	-	-	-	lineal	.XX ± 0.25	FCI		dwg no		sheet 1 of 1 size		
-	-	-	-	0° ± 2'	.XXX ± 0.10	FCI		10090770		A4		
-	-	-	-	dr	JASON HSU	12/10/09	type		PRODUCT_CUSTOMER Drawing		-	
-	-	-	-	enrg	ALIAS BABU	2015/05/30	-		-		-	
-	-	-	-	chr	MITHUN PAUL	2015/05/30	-		-		-	
-	-	-	-	appd	BIJU K PAUL	2015/05/30	-		-		-	
sheet	revision	D	-	-	-	-	-	-	-	-	-	-
index	sheet	1	-	-	-	-	-	-	-	-	-	-