



Chipsmall Limited consists of a professional team with an average of over 10 year of expertise in the distribution of electronic components. Based in Hongkong, we have already established firm and mutual-benefit business relationships with customers from,Europe,America and south Asia,supplying obsolete and hard-to-find components to meet their specific needs.

With the principle of “Quality Parts,Customers Priority,Honest Operation,and Considerate Service”,our business mainly focus on the distribution of electronic components. Line cards we deal with include Microchip,ALPS,ROHM,Xilinx,Pulse,ON,Everlight and Freescale. Main products comprise IC,Modules,Potentiometer,IC Socket,Relay,Connector.Our parts cover such applications as commercial,industrial, and automotives areas.

We are looking forward to setting up business relationship with you and hope to provide you with the best service and solution. Let us make a better world for our industry!



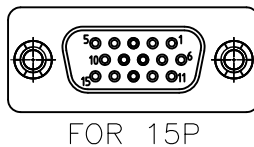
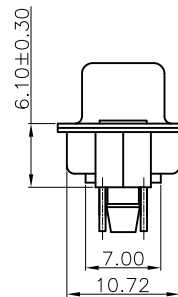
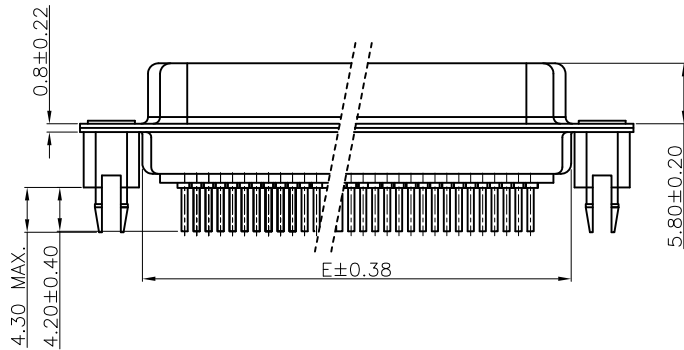
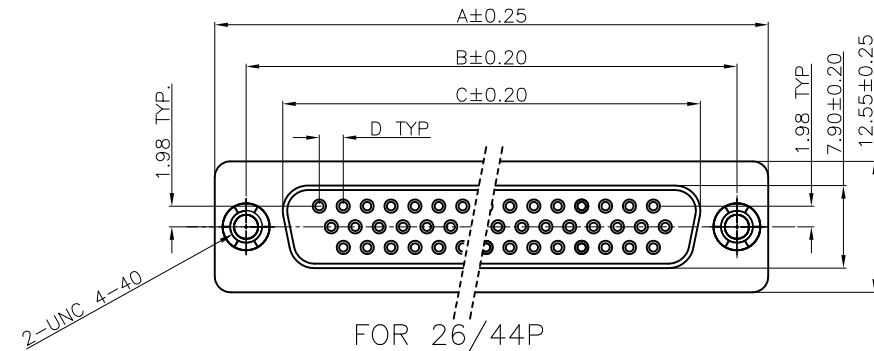
Contact us

Tel: +86-755-8981 8866 Fax: +86-755-8427 6832

Email & Skype: info@chipsmall.com Web: www.chipsmall.com

Address: A1208, Overseas Decoration Building, #122 Zhenhua RD., Futian, Shenzhen, China





NOTES:

1. CHARACTERISTICS:

RATED VOLTAGE: 250V
 RATED CURRENT: 2.5AMP
 CONTACT RESISTANCE: 25mohms MAX. INITIAL,
 40mohms MAX. AFTER.
 INSULATION RESISTANCE: 5000Mohms MIN. at 500V DC
 DIELECTRIC STRENGTH: 750VRMS
 OPERATING TEMPERATURE RANGE: -55° C~105° C
 INSERTION/EXTRACTION FORCE PER CONTACT: 5N Max. /0.2N Min.
 MATING/UNMATING CYCLES: 200MATINGS MIN FOR GOLD-FLASH
 500MATINGS MIN FOR 30u" GOLD.

2. MATERIAL:

INSULATORS: THERMOPLASTIC G.F(UL94V-0) BLACK
 CONTACTS: COPPER ALLOY, GOLD(G/F or 30u") TOP OVER CONTACT
 AREA, 100u" Min MATTE TIN TOP OVER SOLDER AREA,
 50u" Min NICKEL UNDER PLATE.
 SHELL: CARBON STEEL, 100u" Min NICKEL TOP OVER,
 50u" Min COPPER UNDER PLATE.
 HARPOON: COPPER ALLOY , 100u" Min MATTE TIN PLATED.

3. Type H Insulator will withstand exposure to 260° C peak temperature for 10 seconds maximum in a wave soldering application

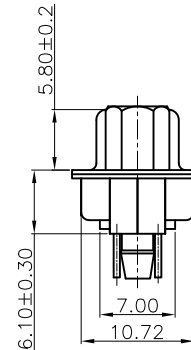
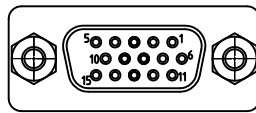
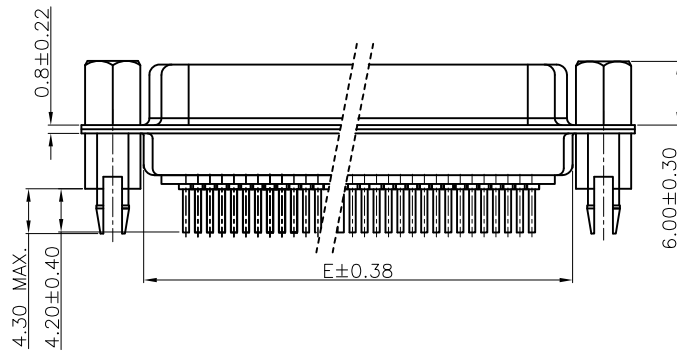
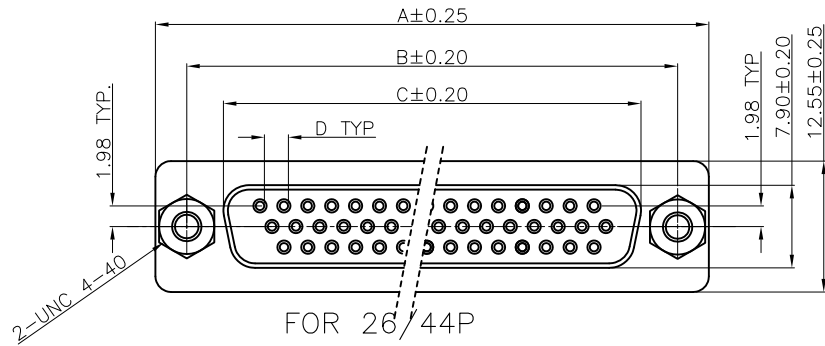
4. PART NUMBER DESCRIPTION:

10090929-S XX X X LF
 SERIES NO. _____
 TYPE _____
 S: SOCKET PBT (FEMALE)
 H: SOCKET PART (FEMALE)
 (See Note 3)
 NUMBER OF CONTACTS _____
 15: 15-PIN
 26: 26-PIN
 44: 44-PIN
 LF: ROHS COMPLIANT
 PLANGE MOUNTING OPTION
 X: UNC #4-40 CLINCHNUTS
 CONTACT FINISH
 4: FLASH GOLD
 6: 30u" GOLD

POS.	PART NO.	THREAD TYPE
15	10090929-*15*XLF	UNC #4-40
26	10090929-*26*XLF	UNC #4-40
44	10090929-*44*XLF	UNC #4-40

POS.	A	B	C	D	E
15	30.81	24.99	16.33	2.29	19.10
26	39.24	33.32	24.66	2.29	27.75
44	53.04	47.04	38.38	2.29	41.30

mat'l. code		surface		tolerance		projection		product family		
-		ISO 1302 ✓		ISO 406 ISO 1101				D-SUB		
ltr		ecn no	dr	date	tolerances unless otherwise specified				title	
A	T09-1156	JH		12/10/09	angles	linear	MM	H/D D-SUB FEMALE STRAIGHT		
B	T10-0164	JH		10/19/10						
C	ELX-I-15500	AB		2013/08/21	0±2'		scale 2:1			
D	ELX-I-18426	AB		2014/07/29	dr	JASON HSU	12/10/09	dwg no		
E	ELX-I-20972	AB		2015/05/30	engr	MITHUN PAUL	2016/04/27	sheet 1 of 3		
F	ELX-I-24092	MP		2016/05/13	chr	GREGAR MATHEW	2016/04/27	size		
					appd	BIJU K PAUL	2016/04/27	10090929		
sheet index		revision	F	F	F	F	F	type Product Customer Drawing		
		sheet	1	2	3			A3		



REMARK:

1. CHARACTERISTICS:

RATED VOLTAGE: 250V
 RATED CURRENT: 2.5AMP
 CONTACT RESISTANCE: 25mohms MAX. INITIAL,
 40mohms MAX. AFTER.

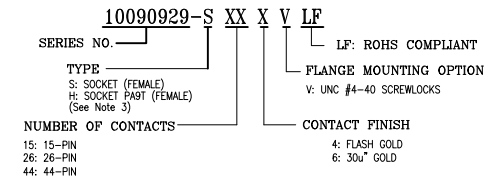
INSULATION RESISTANCE: 5000Mohms MIN. at 500V DC
 DIELECTRIC STRENGTH: 750VRMS
 OPERATING TEMPERATURE RANGE: -55° C~105° C
 INSERTION/EXTRACTION FORCE PER CONTACT: 5N Max./0.2N Min.
 MATING/UNMATING CYCLES: 200MATINGS MIN FOR GOLD-FLASH
 500MATINGS MIN FOR 30u" GOLD.

2. MATERIAL:

INSULATORS: THERMOPLASTIC G.F(UL94V-0) BLACK
 CONTACTS: COPPER ALLOY, GOLD(G/F or 30u") TOP OVER CONTACT
 AREA, 100u" Min MATTE TIN TOP OVER SOLDER AREA,
 50u" Min NICKEL UNDER PLATE.
 SHELL: CARBON STEEL, 100u" Min NICKEL TOP OVER,
 50u" Min COPPER UNDER PLATE.
 HARPOON: COPPER ALLOY, 100u" Min MATTE TIN PLATED.
 NUT: COPPER ALLOY, 50u" Min NICKEL PLATED.

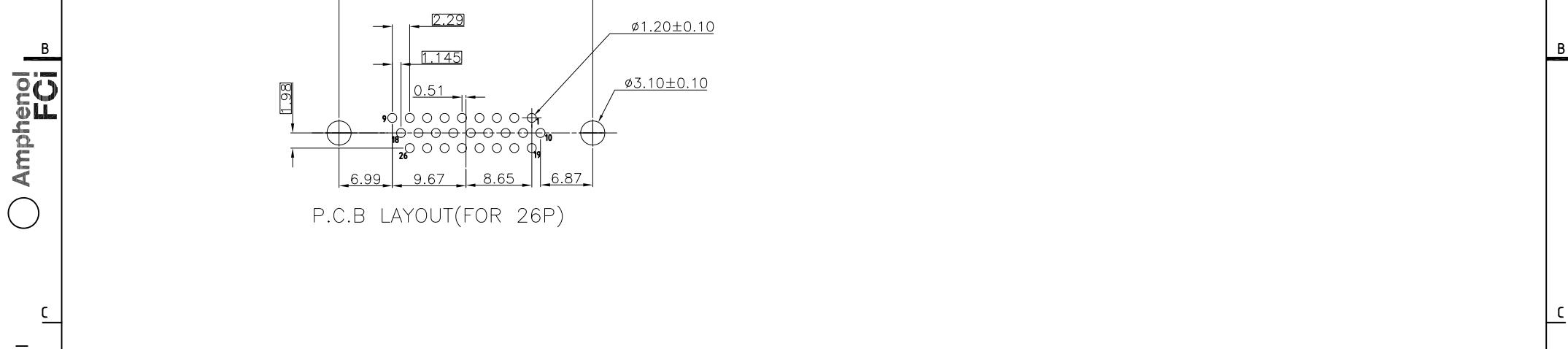
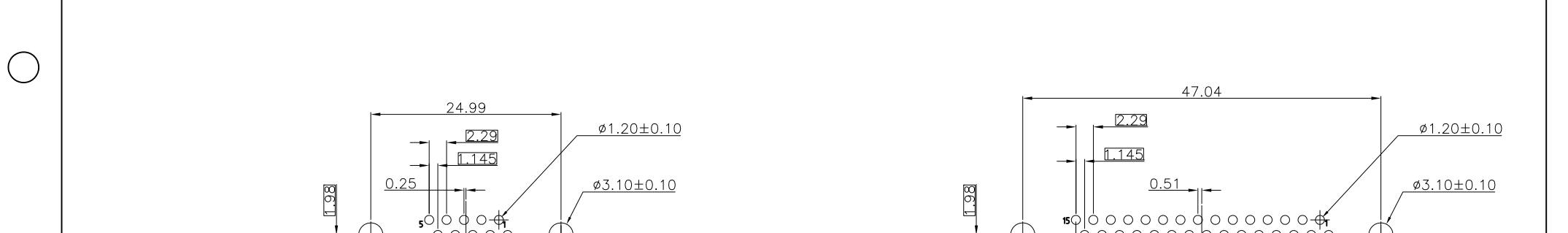
3. Type II Insulator will withstand exposure to 260° C peak temperature for 10 seconds maximum in a wave soldering application

4. PART NUMBER DESCRIPTION:



POS.	A	B	C	D	E
15	30.81	24.99	16.33	2.29	19.10
26	39.24	33.32	24.66	2.29	27.75
44	53.04	47.04	38.38	2.29	41.30

mat'l. code		surface		tolerance		projection		product family	
-		ISO 1302		ISO 406 ISO 1101				D-SUB	
ltr		ecn no		dr		date		title	
F								H/D D-SUB FEMALE STRAIGHT	
		angles		linear		MM			
		0±2'		.0±0.38		scale 2:1			
				.00±0.25					
				.000±0.010					
		dr		JASON HSU		12/10/09		dwg no	
		engr		MITHUN PAUL		2016/04/27		sheet 2 of 3	
		chr		GREGAR MATHEW		2016/04/27		size	
		appd		BIJU K PAUL		2016/04/27		A3	
sheet		revision						10090929	
index		sheet						type Product Customer Drawing	



mat'l. code		-		surface	ISO 1302	tolerance	ISO 406	ISO 1101	projection	product family		
ltr		ecn no	dr	date	tolerances unless otherwise specified				 MM	D-SUB		
F					angles	linear	.0±0.38			title		
					0'±2'		.00±0.25			H/D D-SUB FEMALE STRAIGHT		
							.000±0.010		scale	2:1		
					dr	JASON HSU	12/10/09			dwg no		sheet 3 of 3
					engr	MITHUN PAUL	2016/04/27			10090929		size
					chr	GREGAR MATHEW	2016/04/27			type		A3
					appd	BIJU K PAUL	2016/04/27			Product Customer Drawing		
sheet index	revision sheet											

Amphenol FCI
 © 2016 AFCl
 D