



Chipsmall Limited consists of a professional team with an average of over 10 year of expertise in the distribution of electronic components. Based in Hongkong, we have already established firm and mutual-benefit business relationships with customers from,Europe,America and south Asia,supplying obsolete and hard-to-find components to meet their specific needs.

With the principle of "Quality Parts,Customers Priority,Honest Operation,and Considerate Service",our business mainly focus on the distribution of electronic components. Line cards we deal with include Microchip,ALPS,ROHM,Xilinx,Pulse,ON,Everlight and Freescale. Main products comprise IC,Modules,Potentiometer,IC Socket,Relay,Connector.Our parts cover such applications as commercial,industrial, and automotives areas.

We are looking forward to setting up business relationship with you and hope to provide you with the best service and solution. Let us make a better world for our industry!



Contact us

Tel: +86-755-8981 8866 Fax: +86-755-8427 6832

Email & Skype: info@chipsmall.com Web: www.chipsmall.com

Address: A1208, Overseas Decoration Building, #122 Zhenhua RD., Futian, Shenzhen, China



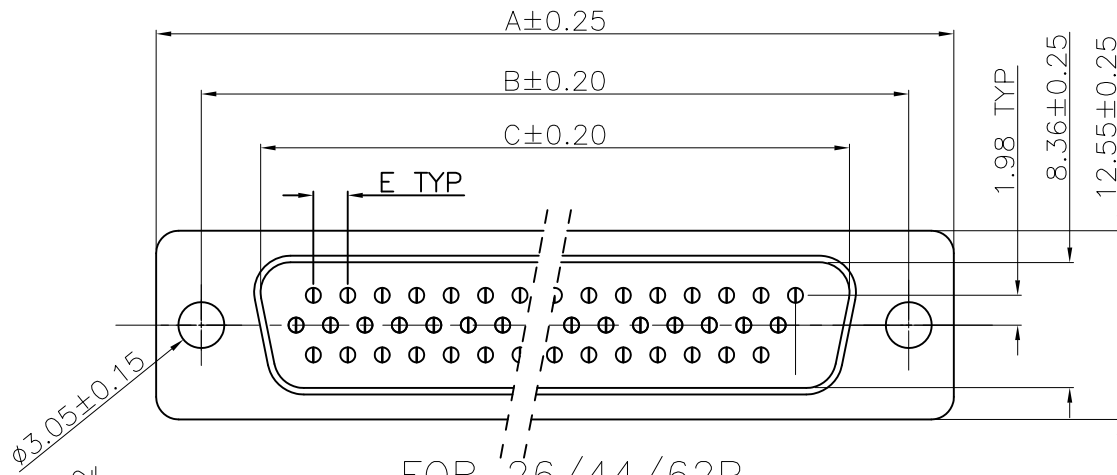


B

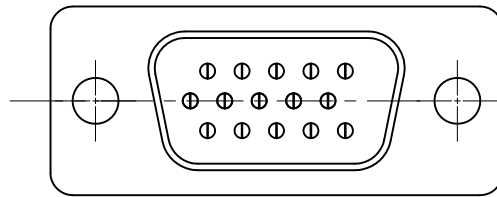
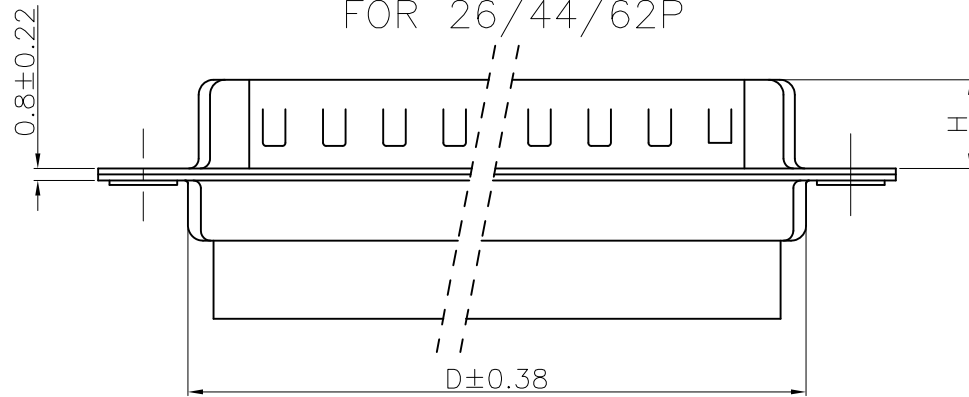
1 | 2

3

4



FOR 26/44/62P

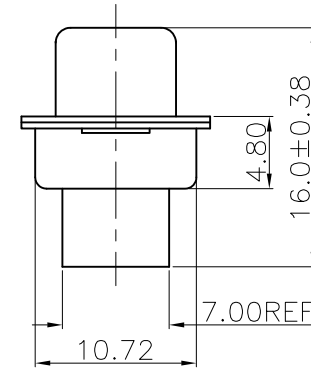


FOR 15P

REMARK:

- CHARACTERISTICS:
OPERATING TEMPERATURE RANGE: -55° C~105° C
- MATERIAL:
INSULATORS: THERMOPLASTIC G.F(UL94V-0) BLACK
SHELL: CARBON STEEL, 100u" Min NICKEL TIN TOP OVER,
50u" Min COPPER UNDER PLATE.
STOPPER: CARBON STEEL.
- PART NUMBER DESCRIPTION: **10090930-P XX X X LF**

SERIES NO.	LF: ROHS COMPLIANT
TYPE P: PIN (MALE)	FLANGE MOUNTING OPTION A: STANDARD HOLE
NUMBER OF CONTACTS	CONTACT FINISH 0: NO CONTACT
15: 15-PIN	
26: 26-PIN	
44: 44-PIN	
62: 62-PIN	



POS.	PART NO.	A	B	C	D	E	H
15	10090930-P150ALF	30.81	24.99	16.92	19.10	2.29	5.90 ^{+0.25} ₀
26	10090930-P260ALF	39.24	33.32	25.25	27.75	2.29	5.90 ^{+0.25} ₀
44	10090930-P440ALF	53.04	47.04	38.96	41.30	2.29	5.70 ^{+0.25} ₀
62	10090930-P620ALF	69.32	63.50	55.42	57.40	2.41	5.70 ^{+0.25} ₀

mat'l. code				tolerances unless otherwise specified				CUSTOMER COPY		FCI		www.fciconnect.com	
ltr	ecn no	dr	date	linear		.X ± 0.38		projection		title			
A	T09-1157	J.H	12/10/09	angles		.XX ± 0.25				HDEC MALE CRIMPING			
						.XXX ± 0.10				product family D-SUB		code TWN	
				dr		0° ± 2°		MM		size dwg no		sheet 1 of 2	
				enr		JASON HSU 12/10/09		scale 1:1		A4		10090930	
				chr		GARY HSIEH 12/10/09							
				appd		JOSEPH HSIA 12/10/09							
sheet index	revision sheet	A	A										
		1	2										

1 | 2

3

4

B

Tous droits strictement réservés. Reproduction ou communication a des tiers interdite sous quelque forme que ce soit sans autorisation écrite du propriétaire. Propriete de c FCI. Droits de reproduction FCI.

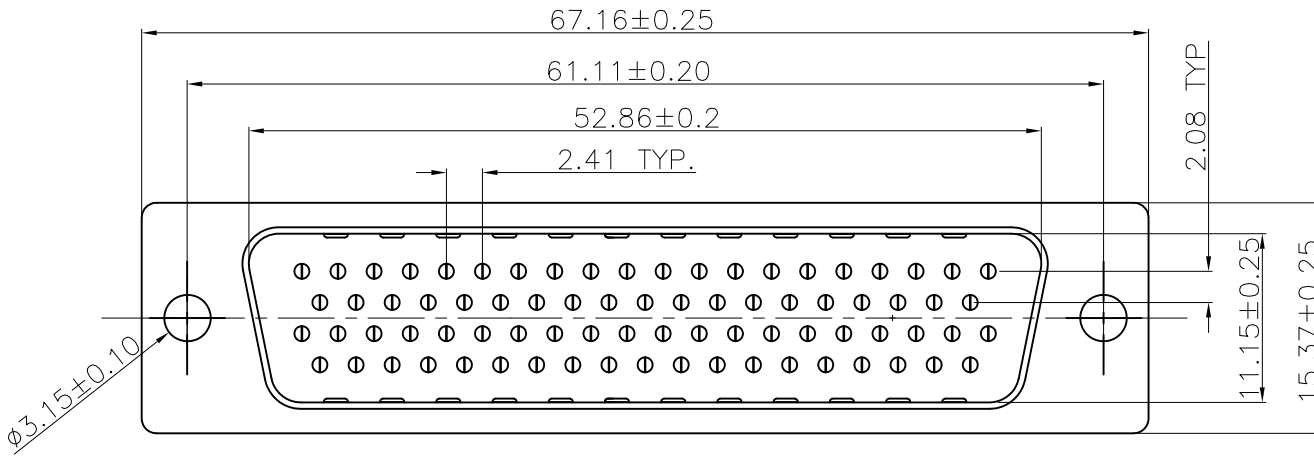


All rights strictly reserved. Reproduction or issue to third parties in any form whatever is not permitted without written authority from the proprietor. Property of FCI. Copyright FCI.

1 | 2

3

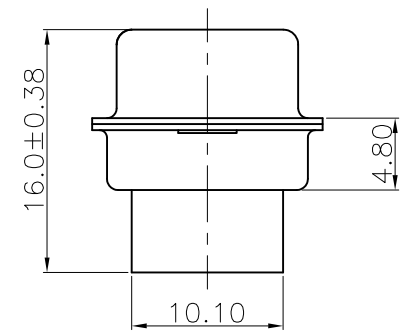
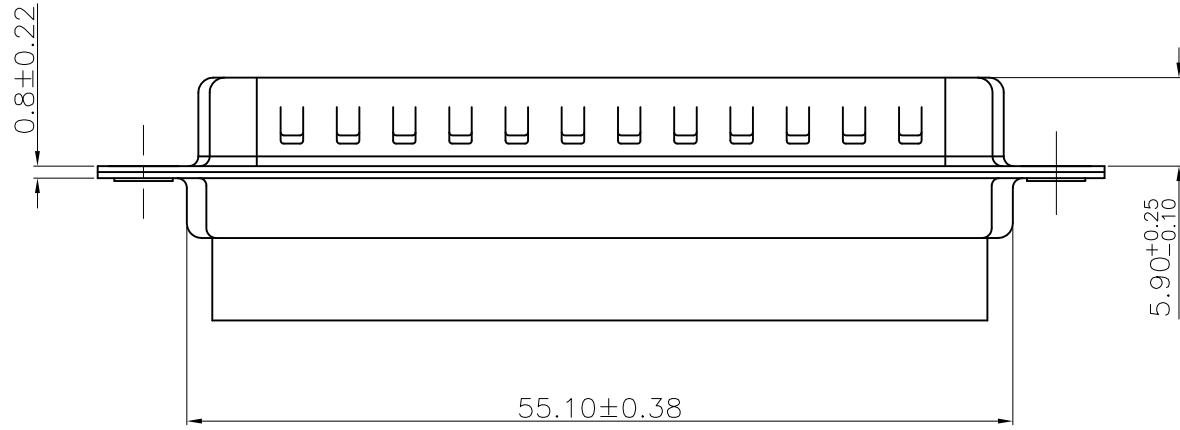
4



REMARK:
 1. CHARACTERISTICS:
 OPERATING TEMPERATURE RANGE: -55° C~105° C
 2. MATERIAL:
 INSULATORS: THERMOPLASTIC G. F(UL94V-0) BLACK
 SHELL: CARBON STEEL, 100u" Min NICKEL TIN TOP OVER,
 50u" Min COPPER UNDER PLATE.
 STOPPER: CARBON STEEL.
 3. PART NUMBER DESCRIPTION: **10090930-P XX X X LF**

SERIES NO. _____
 TYPE _____
 P: PIN (MALE)
 NUMBER OF CONTACTS _____
 78: 78-PIN

LF: ROHS COMPLIANT
 FLANGE MOUNTING OPTION
 A: STANDARD HOLE
 CONTACT FINISH
 0: NO CONTACT



PART NO.: 10090930-P780ALF

mat'l. code				tolerances unless otherwise specified				CUSTOMER COPY		FCI www.fciconnect.com		
ltr	ecn no	dr	date	linear	.X ± 0.38		projection	title				
A					.XX ± 0.25			H78P	HDEC 78P MALE CRIMPING			
					.XXX ± 0.10				product family D-SUB		code TWN	
				angles	0° ±2°		MM	size dwg no		sheet 2 of 2		
				dr	JASON HSU	12/10/09	scale 1:1	A4		10090930		
				enr	JASON HSU	12/10/09						
				chr	GARY HSIEH	12/10/09						
				appd	JOSEPH HSIA	12/10/09						
sheet index	revision sheet											

1 | 2

3

4