



Chipsmall Limited consists of a professional team with an average of over 10 year of expertise in the distribution of electronic components. Based in Hongkong, we have already established firm and mutual-benefit business relationships with customers from,Europe,America and south Asia,supplying obsolete and hard-to-find components to meet their specific needs.

With the principle of “Quality Parts,Customers Priority,Honest Operation,and Considerate Service”,our business mainly focus on the distribution of electronic components. Line cards we deal with include Microchip,ALPS,ROHM,Xilinx,Pulse,ON,Everlight and Freescale. Main products comprise IC,Modules,Potentiometer,IC Socket,Relay,Connector.Our parts cover such applications as commercial,industrial, and automotives areas.

We are looking forward to setting up business relationship with you and hope to provide you with the best service and solution. Let us make a better world for our industry!



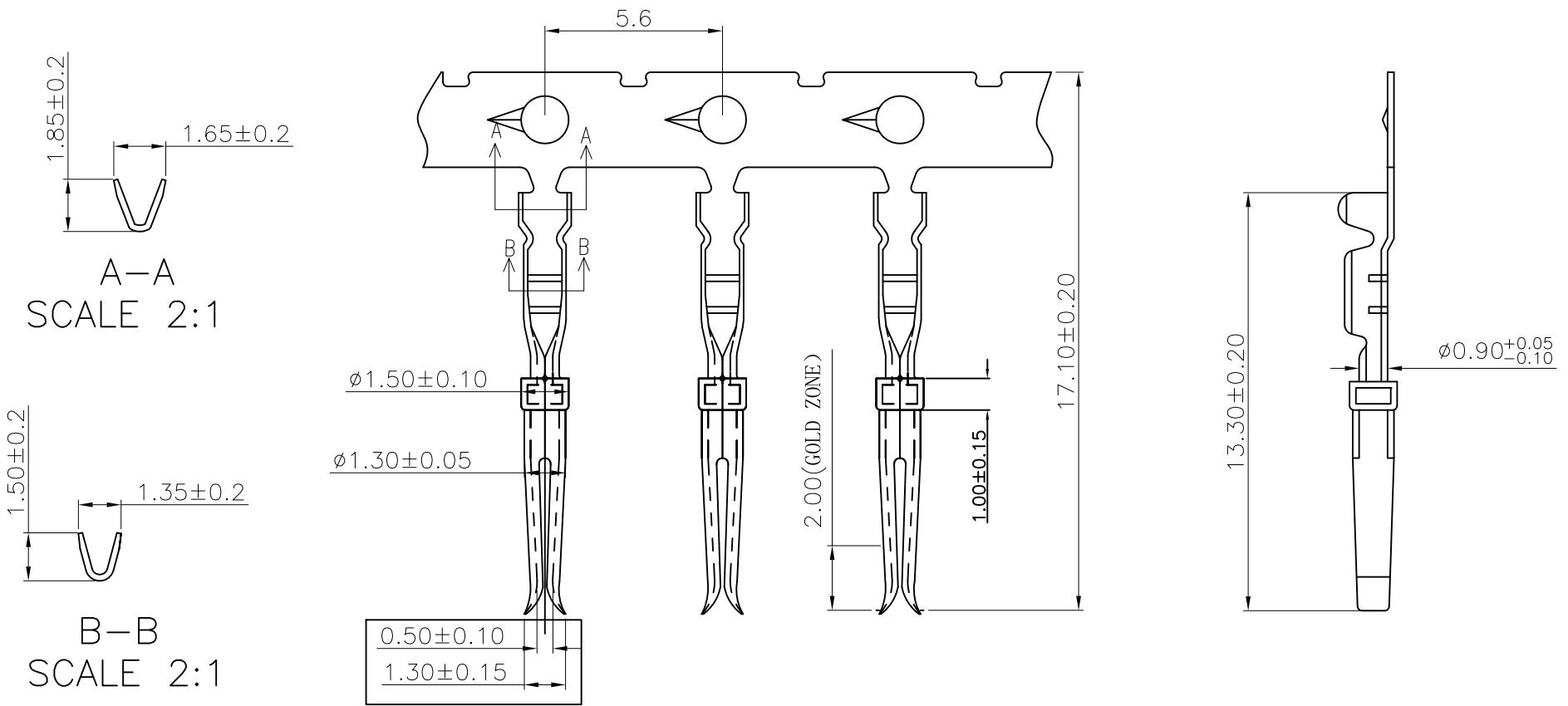
Contact us

Tel: +86-755-8981 8866 Fax: +86-755-8427 6832

Email & Skype: info@chipsmall.com Web: www.chipsmall.com

Address: A1208, Overseas Decoration Building, #122 Zhenhua RD., Futian, Shenzhen, China

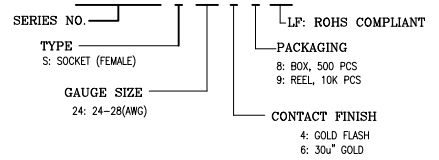




REMARK:

1. MATERIALS:
CONTACTS: COPPER ALLOY T=0.20mm, GOLD(G/F or 30u") TOP OVER CONTACT AREA, 50u" Min. NICKEL UNDER PLATE.

2. PART NUMBER DESCRIPTION: 10090933-S XX X X LF



SIZE	PART NO.	PACKAGING
24-28AWG	10090933-S24*8LF	BOX, 500PCS
24-28AWG	10090933-S24*9LF	REEL, 10KPCS

mat'l. code				tolerances unless otherwise specified			CUSTOMER COPY	FCI	www.fciconnect.com		
ltr	ecn no	dr	date	linear	.X ± 0.38	projection			H/D D-SUB CRIMPING FEMALE CONTACT	product family	D-SUB
A	T09-1157	J.H	12/10/09	angles	.XX ± 0.25	MM	size	dwg no			
B	T10-0164	J.H	10/19/10	dr	.XXX ± 0.10	scale	A4	10090933	1 of 1		
				enrg	0° ± 2'	1:1					
				chr	JASON HSU 10/19/10						
				appd	JASON HSU 10/19/10						
					GARY HSIEH 10/19/10						
					JOSEPH HSIA 10/19/10						
sheet index	revision sheet	B	1								