



Chipsmall Limited consists of a professional team with an average of over 10 year of expertise in the distribution of electronic components. Based in Hongkong, we have already established firm and mutual-benefit business relationships with customers from,Europe,America and south Asia,supplying obsolete and hard-to-find components to meet their specific needs.

With the principle of “Quality Parts,Customers Priority,Honest Operation,and Considerate Service”,our business mainly focus on the distribution of electronic components. Line cards we deal with include Microchip,ALPS,ROHM,Xilinx,Pulse,ON,Everlight and Freescale. Main products comprise IC,Modules,Potentiometer,IC Socket,Relay,Connector.Our parts cover such applications as commercial,industrial, and automotives areas.

We are looking forward to setting up business relationship with you and hope to provide you with the best service and solution. Let us make a better world for our industry!



## Contact us

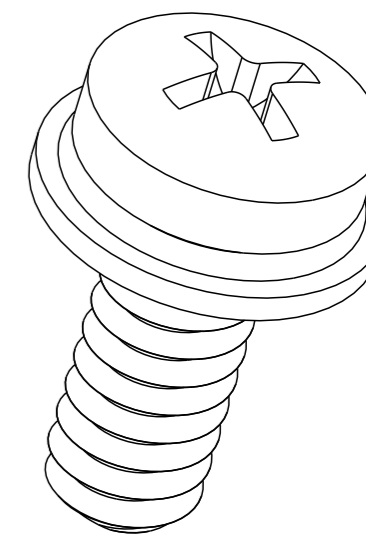
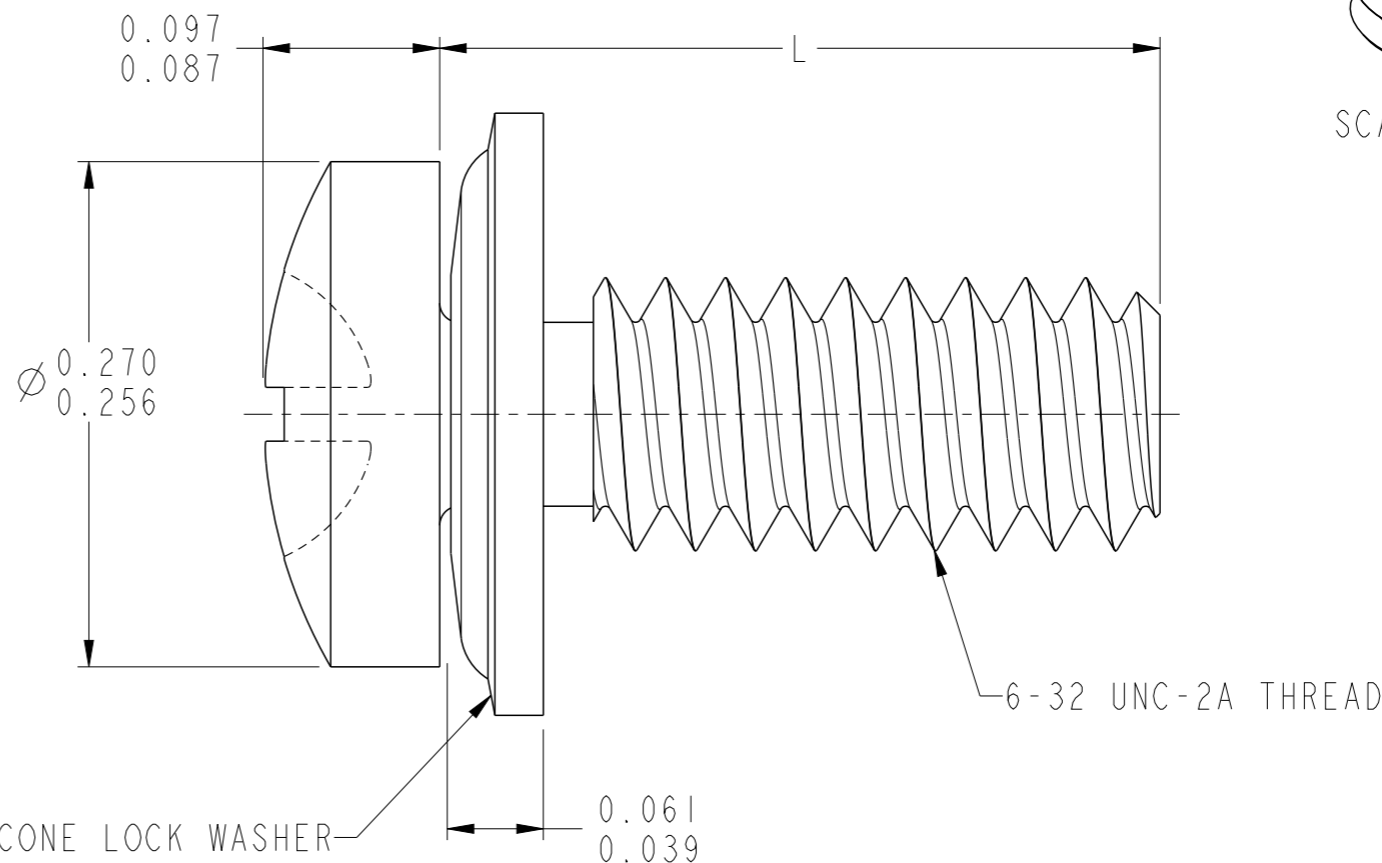
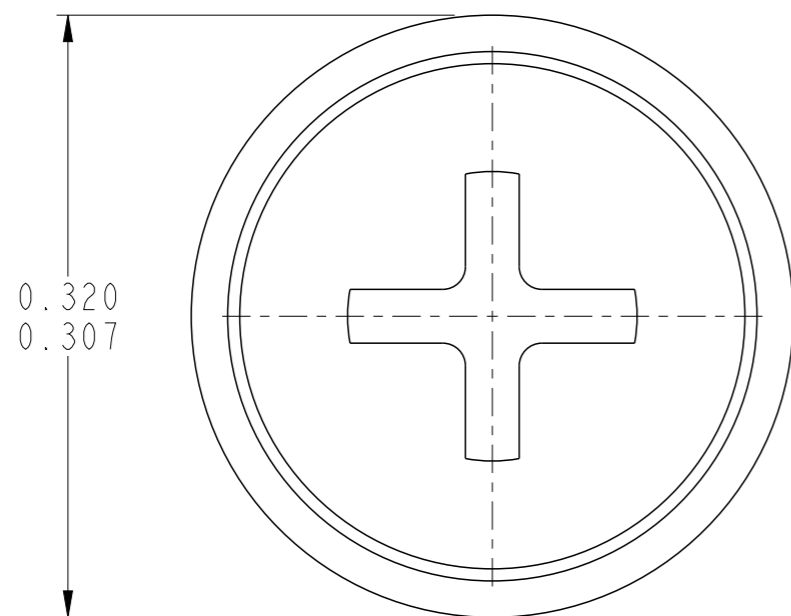
Tel: +86-755-8981 8866 Fax: +86-755-8427 6832

Email & Skype: info@chipsmall.com Web: www.chipsmall.com

Address: A1208, Overseas Decoration Building, #122 Zhenhua RD., Futian, Shenzhen, China



PART NUMBER	"L" DIM
10091791-001LF	.375" <sup>+.000</sup> -.020
10091791-002LF	.500" <sup>+.000</sup> -.020
10091791-003LF	.625" <sup>+.000</sup> -.020



SCALE 6:1

NOTES:

- MATERIAL: SCREW: 18-8 STAINLESS STEEL PER ASTM F593  
WASHER: 410 STAINLESS STEEL
- DRIVE SIZE: #2 PHILLIPS

spec ref	-	dr	Jim Swain	2010/01/26	projection	INCH	size	A3	scale	10:1	
tolerance std	ASME Y14.5	eng	Jim Swain	2011/05/19			ecn no	-	rel level	Released	
	TOLERANCES UNLESS OTHERWISE SPECIFIED	chr	-	-							
surface	✓	appr	Steve Minich	2011/05/19	product family	-	rel level	Released			
	linear					SCREW, SEMS, PAN-HEAD, PHILLIPS, #6-32 THREADED	dwg no 10091791	rev A			
		0.X	±-	cat. no.					SEE P/N TABLE	Product - Customer Drw	sheet 1 of 1
	angular	0°	±°								