



Chipsmall Limited consists of a professional team with an average of over 10 year of expertise in the distribution of electronic components. Based in Hongkong, we have already established firm and mutual-benefit business relationships with customers from,Europe,America and south Asia,supplying obsolete and hard-to-find components to meet their specific needs.

With the principle of “Quality Parts,Customers Priority,Honest Operation,and Considerate Service”,our business mainly focus on the distribution of electronic components. Line cards we deal with include Microchip,ALPS,ROHM,Xilinx,Pulse,ON,Everlight and Freescale. Main products comprise IC,Modules,Potentiometer,IC Socket,Relay,Connector.Our parts cover such applications as commercial,industrial, and automotives areas.

We are looking forward to setting up business relationship with you and hope to provide you with the best service and solution. Let us make a better world for our industry!



Contact us

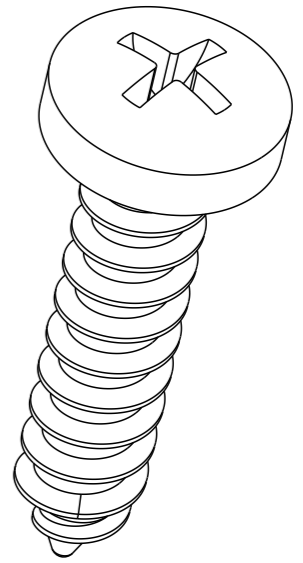
Tel: +86-755-8981 8866 Fax: +86-755-8427 6832

Email & Skype: info@chipsmall.com Web: www.chipsmall.com

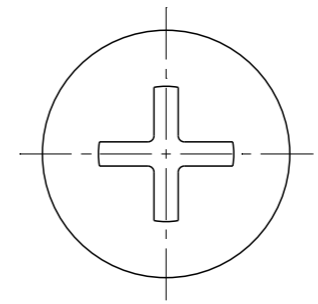
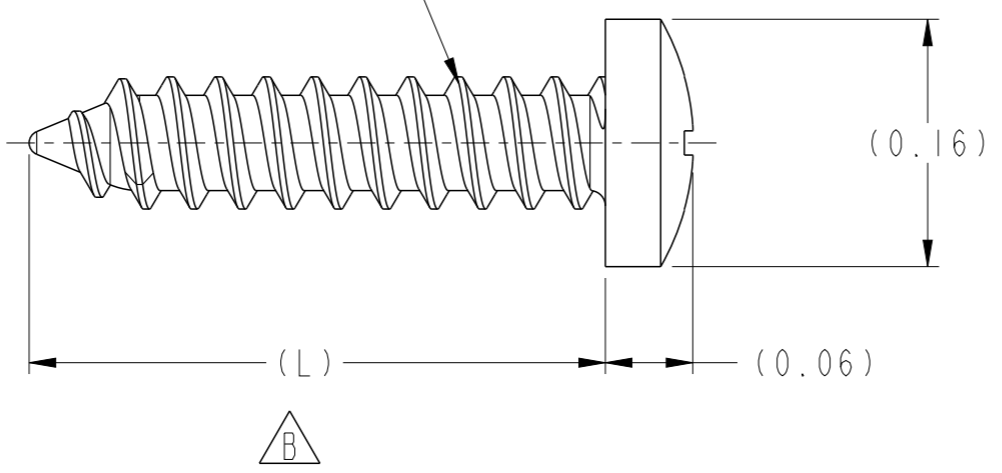
Address: A1208, Overseas Decoration Building, #122 Zhenhua RD., Futian, Shenzhen, China



PART NUMBER	"L" DIM
10091796-001LF	0.375 (3/8)
10091796-002LF	0.3125 (5/16)



#2-32 SELF TAPPING
THREAD FORMING TYPE AB



Copyright FCI.

spec ref	-	dr	Jim Swain	2010/01/26	projection	INCH	size	A3	scale	8:1
tolerance std	ASME Y14.5	eng	Matthew Cheong	2013/07/15			ecn no	ELX-S-15247-1		
	TOLERANCES UNLESS OTHERWISE SPECIFIED	chr	-					rel level	Released	
surface	✓	appr	Chen-Hong Tan	2013/07/17	product family	XCede	rel level	Released		
	ASME Y14.5	linear	0.X	±-		SELF TAPPING, #2-32 THREADED SCREW, PAN-HEAD, PHILLIPS	dwg no 10091796	rev		
			0.XX	±-				B		
		angular	0°	±°						
		www.fci.com	cat. no.	10091796-001	Product - Customer Drw		sheet 1 of 1			