



Chipsmall Limited consists of a professional team with an average of over 10 year of expertise in the distribution of electronic components. Based in Hongkong, we have already established firm and mutual-benefit business relationships with customers from,Europe,America and south Asia,supplying obsolete and hard-to-find components to meet their specific needs.

With the principle of “Quality Parts,Customers Priority,Honest Operation,and Considerate Service”,our business mainly focus on the distribution of electronic components. Line cards we deal with include Microchip,ALPS,ROHM,Xilinx,Pulse,ON,Everlight and Freescale. Main products comprise IC,Modules,Potentiometer,IC Socket,Relay,Connector.Our parts cover such applications as commercial,industrial, and automotives areas.

We are looking forward to setting up business relationship with you and hope to provide you with the best service and solution. Let us make a better world for our industry!



## Contact us

Tel: +86-755-8981 8866 Fax: +86-755-8427 6832

Email & Skype: info@chipsmall.com Web: www.chipsmall.com

Address: A1208, Overseas Decoration Building, #122 Zhenhua RD., Futian, Shenzhen, China



1 2 3 4 5 6 7 8

A

B

C

D

E

F

A

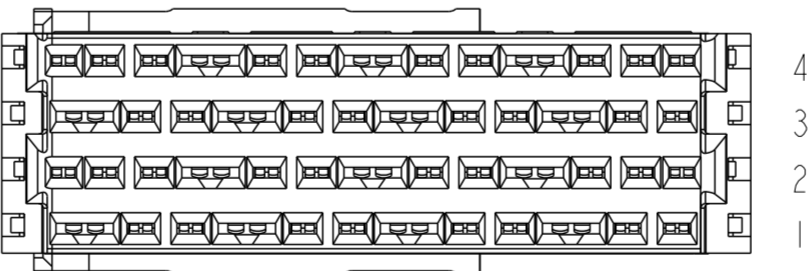
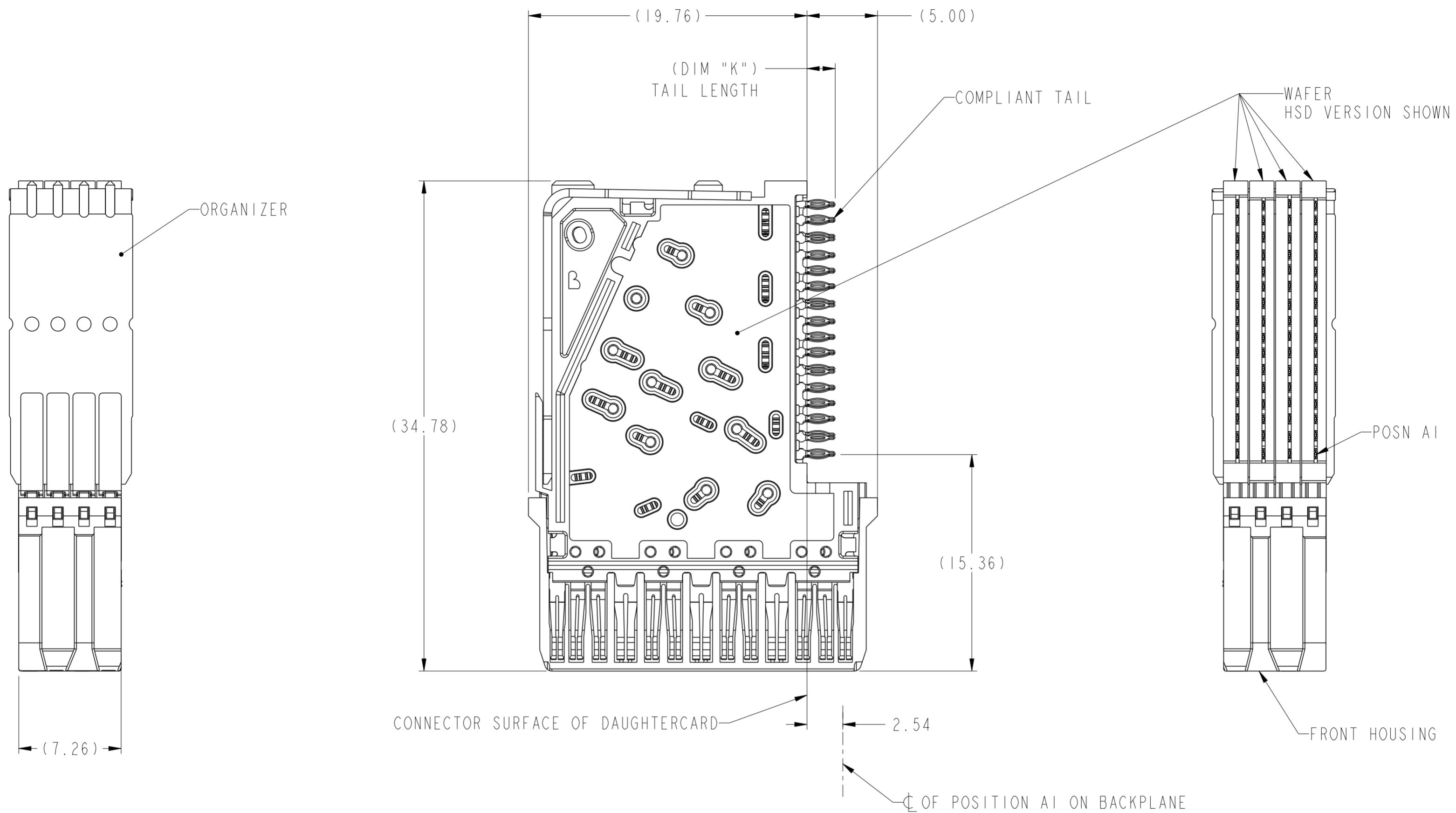
B

C

D

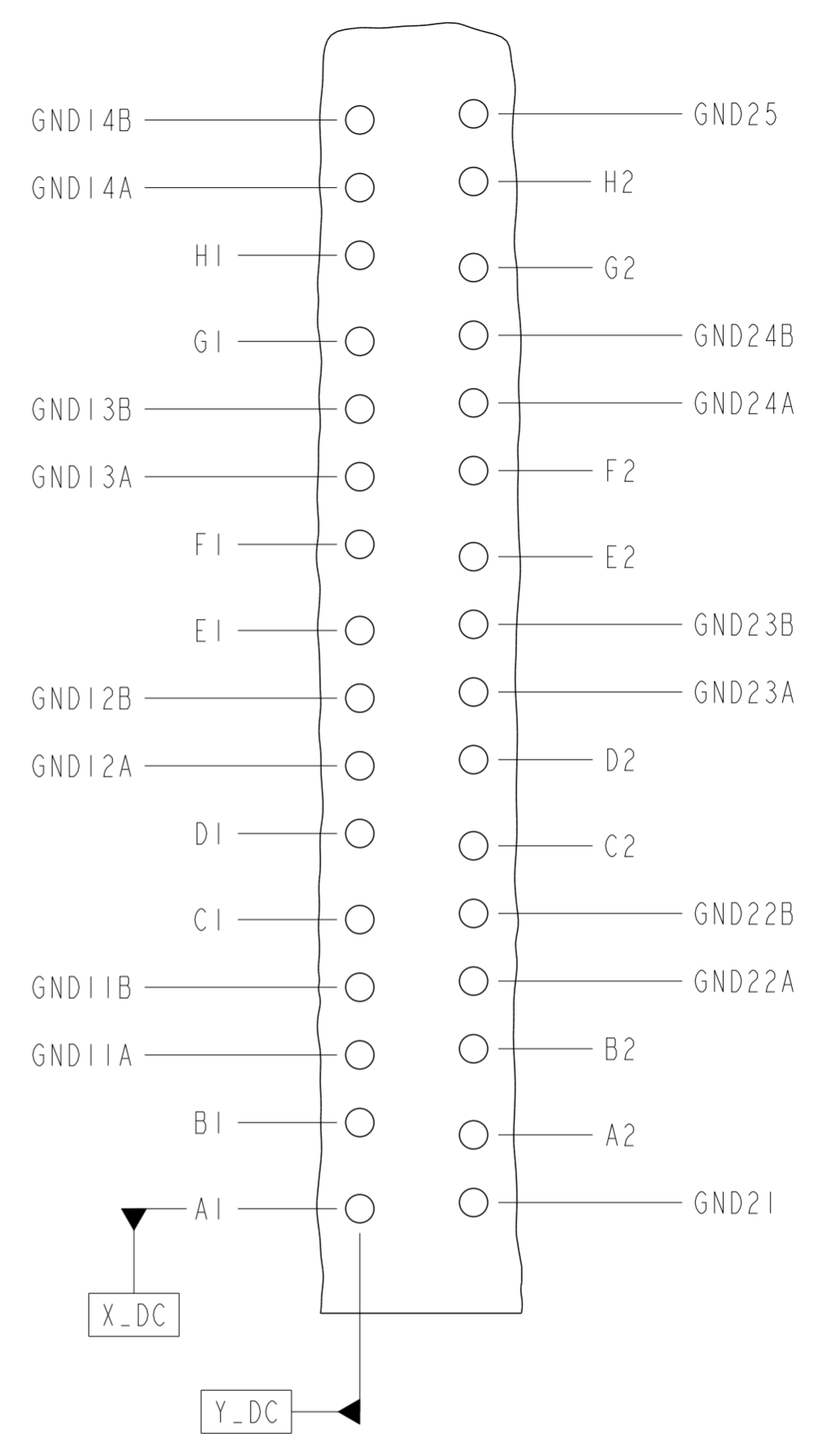
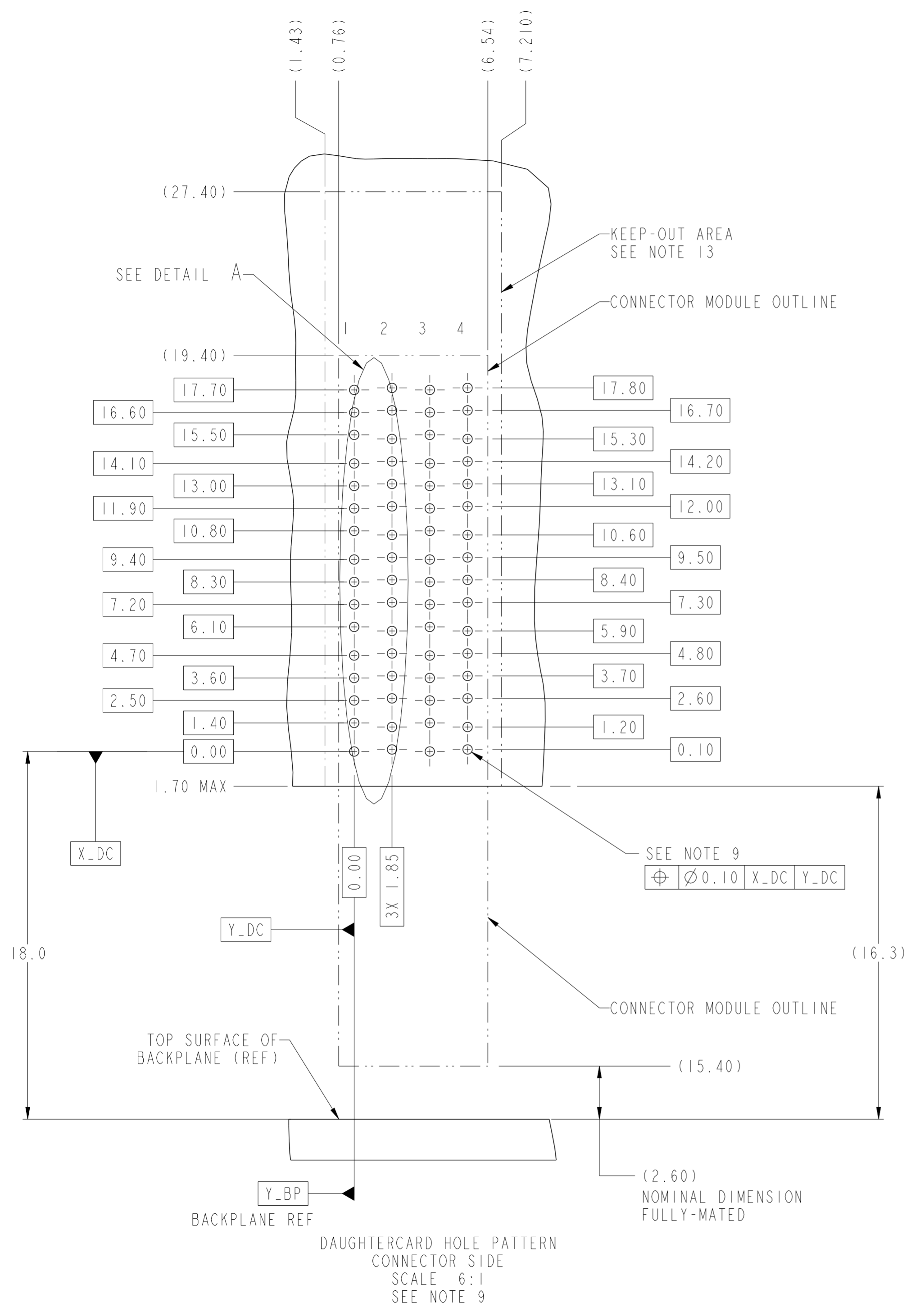
E

F



Copyright FCI.

spec ref	SEE NOTES	dr	Jim Swain	2010/04/12	projection	mm	size	A2	scale	2:1
tolerance std	ASME Y14.5	eng	Matthew Cheong	2011/10/07		mm	ecn no	ELX-S-006502-1	rel rev	Released
TOLERANCES UNLESS OTHERWISE SPECIFIED		chr	-	appr						
surface	linear	0.X	±-		title RECEPT MODULE, RIGHT ANGLE 4 COLUMN, 4 PAIR	dwg no 10091844	rev B	Product - Customer Drw		
ASME Y14.5	angular	0°	±°					cat. no.	SEE PART NUMBER TABLE	sheet 1 of 6
www.fci.com			PDS: Rev :B					STATUS:Released	Printed: Oct 07, 2011	



DETAIL A  
SCALE 10:1  
HIGH-SPEED DIFFERENTIAL PINOUT  
SEE NOTE 9

spec ref	SEE NOTES	dr	Jim Swain	2010/04/12	projection	mm	size	A2	scale	2:1				
tolerance std	TOLERANCES UNLESS OTHERWISE SPECIFIED	eng	Matthew Cheong	2011/10/07			ecn no	ELX-S-006502-1	rel rev	Released				
ASME Y14.5		chr	-	apppr							Chen-Hong Tan	2011/10/07	product family	XCede
surface	linear	0.X	±-								title	RECEPT MODULE, RIGHT ANGLE	dwg no	10091844
ASME Y14.5	angular	0°	±°	www.fci.com		cat. no.	SEE PART NUMBER TABLE	Product - Customer	Drw	sheet 2 of 6				

	1	2	3	4	5	6	7	8
	ASSEMBLY PART NUMBER	LEAD-FREE	MODULE DESCRIPTION AND USAGE NOTES	VERSION	IMPEDANCE	COMPLIANT TAIL STYLE AND PCB DRILL DIAMETER	DIM "K" (TAIL LENGTH)	REMARKS
A	10091844-101	NO	SEE NOTES 6 & 14	HSD	100Ω	STANDARD 0.57 (.0225")	2.0	TELECORDIA CO
	10091844-101LF	YES						
	10091844-111	NO	SEE NOTES 6 & 15					
	10091844-111LF	YES						
	10091844-501	NO						
	B	10091844-501LF	YES					SEE NOTES 6 & 14
10091844-511		NO	SEE NOTES 6 & 15					
10091844-511LF		YES						
10091844-102		NO		SEE NOTES 6 & 14	TELECORDIA CO			
10091844-102LF		YES						
10091844-112		NO						
C	10091844-112LF	YES	SEE NOTES 6 & 15	HSD	100Ω	MICRO 0.45 (.0177")	1.3	TELECORDIA UE
	10091844-502	NO	SEE NOTES 6 & 14					
	10091844-502LF	YES						
	10091844-512	NO						SEE NOTES 6 & 15
	10091844-512LF	YES						
	10091844-103	NO	SEE NOTES 6 & 14					
10091844-103LF	YES							
10091844-113	NO	SEE NOTES 6 & 15						
10091844-113LF	YES							
D	10091844-503		NO	SEE NOTES 6 & 14	LC	100Ω	STANDARD 0.57 (.0225")	2.0
	10091844-503LF	YES						
	10091844-513	NO	SEE NOTES 6 & 15					
	10091844-513LF	YES						
	10091844-104	NO		SEE NOTES 6 & 14				
	10091844-104LF	YES						
10091844-114	NO	SEE NOTES 6 & 15						
10091844-114LF	YES							
E	10091844-504		NO	SEE NOTES 6 & 14	LC	100Ω	MICRO 0.45 (.0177")	1.3
	10091844-504LF	YES						
	10091844-514	NO	SEE NOTES 6 & 15					
	10091844-514LF	YES						



Copyright FCI.

F

spec ref	SEE NOTES	dr	Jim Swain	2010/04/12	projection	mm	size	A2	scale	2:1
tolerance std	TOLERANCES UNLESS OTHERWISE SPECIFIED	eng	Matthew Cheong	2011/10/07		mm	ecn no	ELX-S-006502-1	rel lev	Released
ASME Y14.5		chr	-	-						
surface		appr	Chen-Hong Tan	2011/10/07						
linear	0.X	±-		title	RECEPT MODULE, RIGHT ANGLE	4 COLUMN, 4 PAIR	cat. no.	SEE PART NUMBER TABLE	Product - Customer Drw	sheet 3 of 6
angular	0°	±°								
ASME Y14.5	www.fci.com	cat. no.								

PDS: Rev :B

STATUS:Released

Printed: Oct 07, 2011

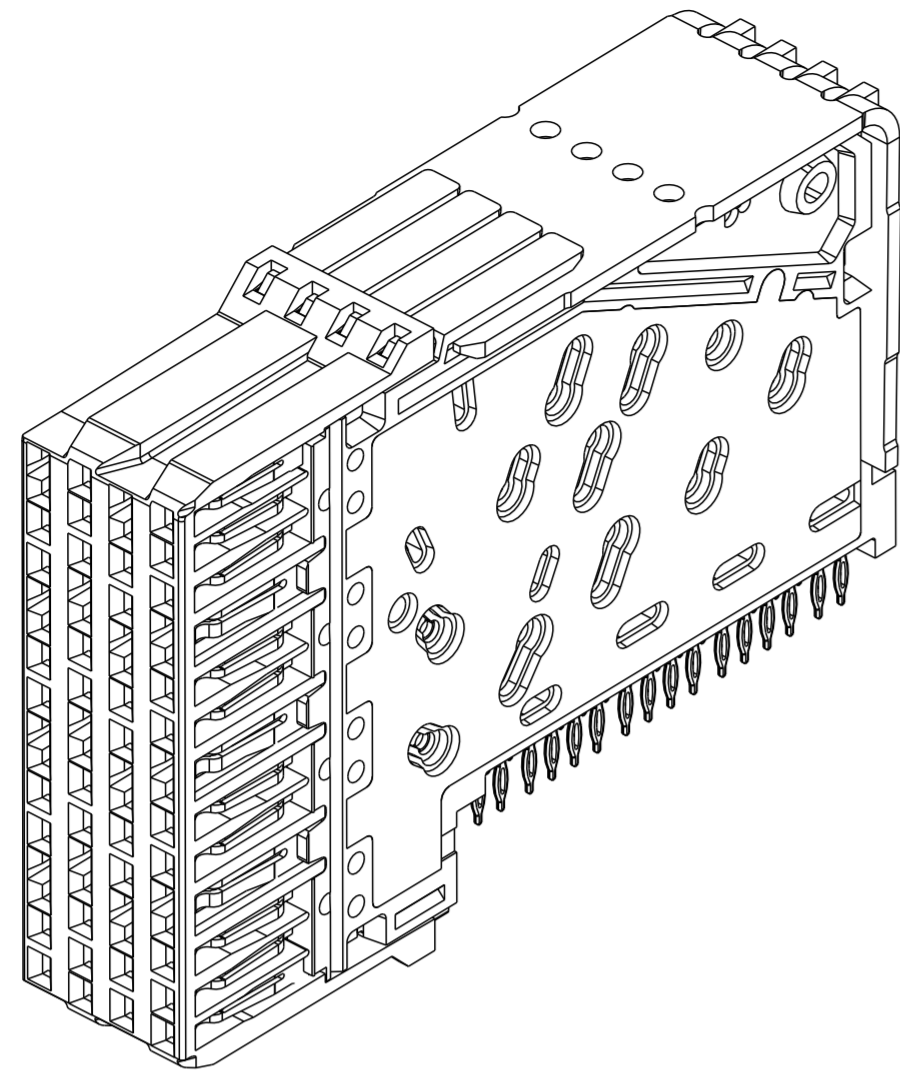
1	2	3	4	5	6	7	8						
ASSEMBLY PART NUMBER	LEAD-FREE	MODULE DESCRIPTION AND USAGE NOTES	VERSION	IMPEDANCE	COMPLIANT TAIL STYLE AND PCB DRILL DIAMETER	DIM "K" (TAIL LENGTH)	REMARKS	PCB REQUIREMENTS (SEE NOTE 11)					
								ATTRIBUTE	STANDARD TAIL	MICRO TAIL			
A 10091844-105	NO	SEE NOTES 6 & 14	HSD	85Ω	STANDARD 0.57 (.0225")	2.0	TELECORDIA CO	DRILL SIZE	∅0.57 (.0225")	∅0.45 (.0177")			
10091844-105LF	YES							PTH	∅0.46±0.05	∅0.36±0.05			
10091844-115	NO	TELECORDIA UE						PAD SEE NOTE 8	∅0.88	∅0.75			
10091844-115LF	YES						MIN PCB THICKNESS	1.60	1.10				
10091844-505	NO						SEE NOTES 6 & 14	HSD	85Ω	MICRO 0.45 (.0177")	1.3	TELECORDIA CO	TELECORDIA UE
10091844-505LF	YES	SEE NOTES 6 & 15											
10091844-515	NO		SEE NOTES 6 & 14										
10091844-515LF	YES	SEE NOTES 6 & 15											
10091844-106	NO		SEE NOTES 6 & 14	SEE NOTES 6 & 15									
10091844-106LF	YES	SEE NOTES 6 & 14											
10091844-116	NO		SEE NOTES 6 & 15	SEE NOTES 6 & 14									
10091844-116LF	YES	SEE NOTES 6 & 15											
10091844-506	NO		SEE NOTES 6 & 14	SEE NOTES 6 & 15									
10091844-506LF	YES	SEE NOTES 6 & 15											
10091844-516	NO		SEE NOTES 6 & 15	SEE NOTES 6 & 14									
10091844-516LF	YES	SEE NOTES 6 & 14											
10091844-107 <sup>(B)</sup>	NO		SEE NOTES 6 & 14	LC	85Ω	STANDARD 0.57 (.0225")	2.0	TELECORDIA CO	TELECORDIA UE				
10091844-107LF <sup>(B)</sup>	YES	SEE NOTES 6 & 15											
10091844-117 <sup>(B)</sup>	NO		SEE NOTES 6 & 14										
10091844-117LF <sup>(B)</sup>	YES	SEE NOTES 6 & 14											
10091844-507 <sup>(B)</sup>	NO		SEE NOTES 6 & 15					SEE NOTES 6 & 14					
10091844-507LF <sup>(B)</sup>	YES	SEE NOTES 6 & 15											
10091844-517 <sup>(B)</sup>	NO		SEE NOTES 6 & 14	SEE NOTES 6 & 15									
10091844-517LF <sup>(B)</sup>	YES	SEE NOTES 6 & 14											
10091844-108 <sup>(B)</sup>	NO		SEE NOTES 6 & 14	LC	85Ω	MICRO 0.45 (.0177")	1.3	TELECORDIA CO	TELECORDIA UE				
10091844-108LF <sup>(B)</sup>	YES	SEE NOTES 6 & 15											
10091844-118 <sup>(B)</sup>	NO		SEE NOTES 6 & 14										
10091844-118LF <sup>(B)</sup>	YES	SEE NOTES 6 & 14											
10091844-508 <sup>(B)</sup>	NO		SEE NOTES 6 & 15					SEE NOTES 6 & 14					
10091844-508LF <sup>(B)</sup>	YES	SEE NOTES 6 & 15											
10091844-518 <sup>(B)</sup>	NO		SEE NOTES 6 & 14	SEE NOTES 6 & 15									
10091844-518LF <sup>(B)</sup>	YES	SEE NOTES 6 & 14											

PCB REQUIREMENTS (SEE NOTE 11)		
ATTRIBUTE	STANDARD TAIL	MICRO TAIL
DRILL SIZE	∅0.57 (.0225")	∅0.45 (.0177")
PTH	∅0.46±0.05	∅0.36±0.05
PAD SEE NOTE 8	∅0.88	∅0.75
MIN PCB THICKNESS	1.60	1.10

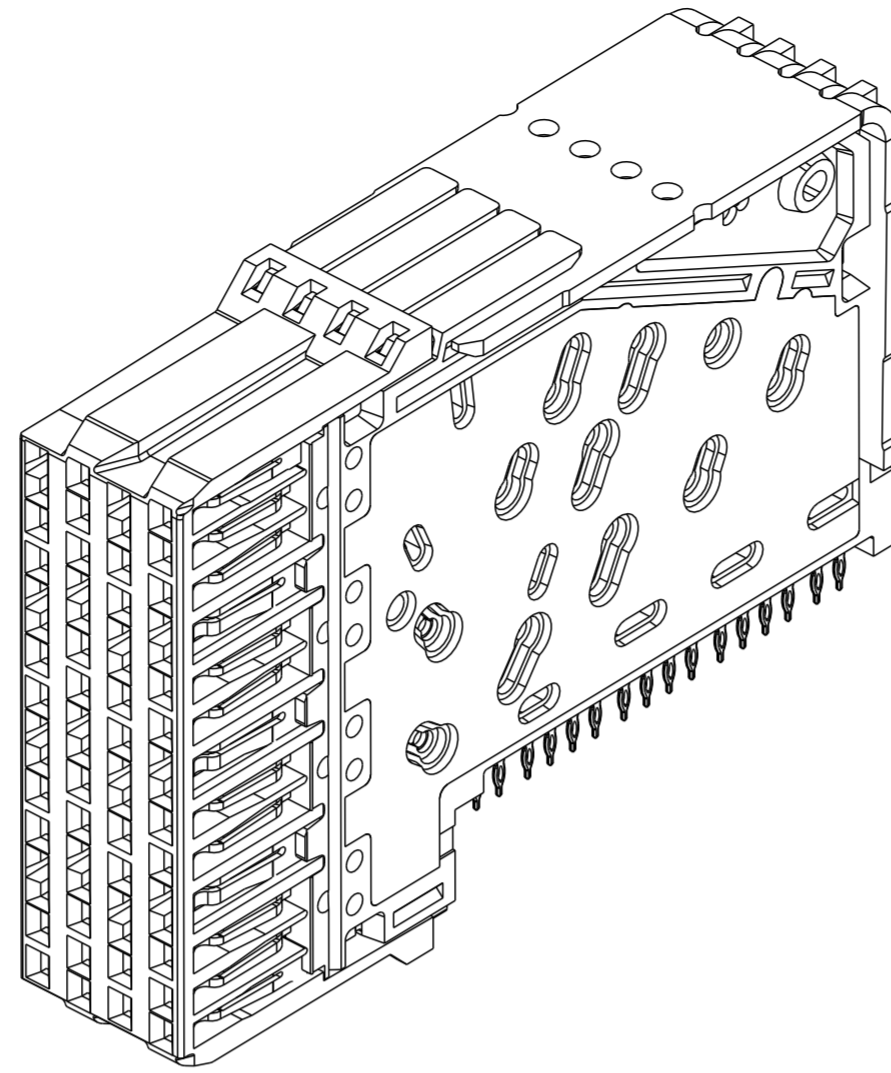


Copyright FCI.

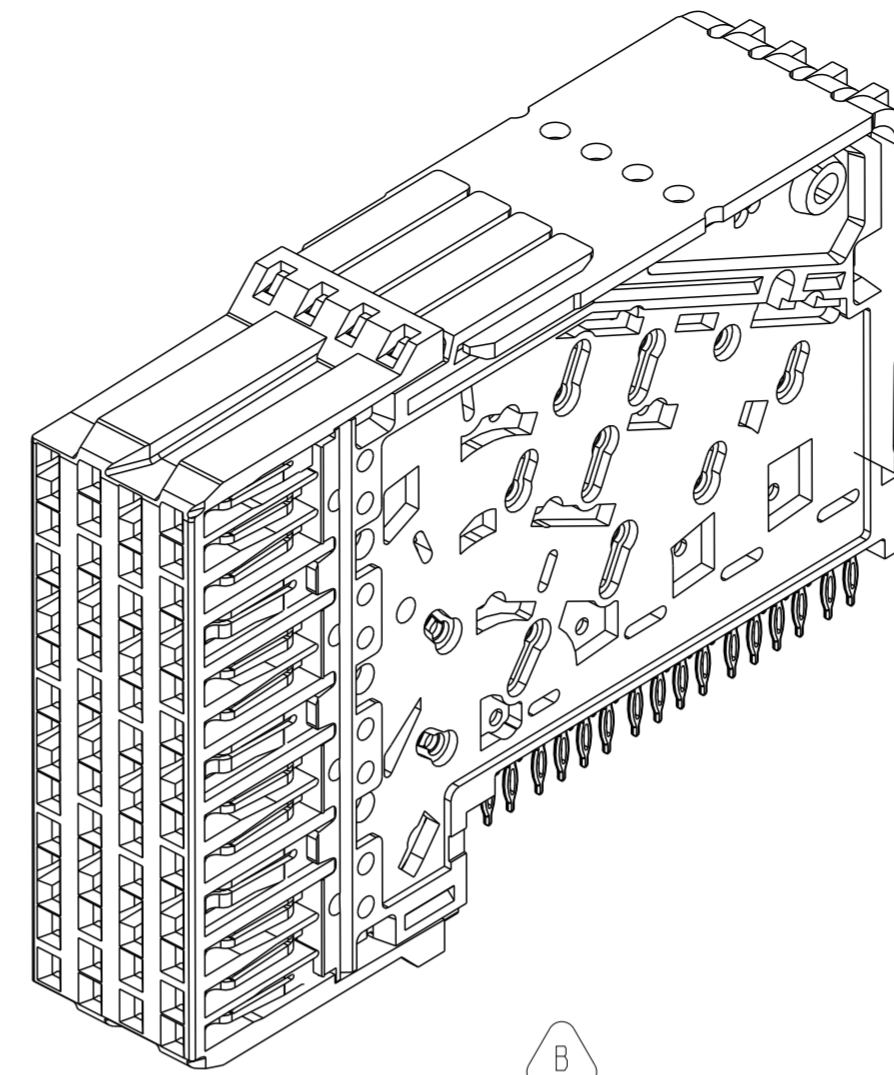
spec ref	SEE NOTES	dr	Jim Swain	2010/04/12	projection	mm	size	A2	scale	2:1
tolerance std	ASME Y14.5	eng	Matthew Cheong	2011/10/07		mm	ecn no	ELX-S-006502-1	rel rev	Released
	TOLERANCES UNLESS OTHERWISE SPECIFIED	chr	-	apppr						
surface	linear	0.X	±-		<b>RECEIPT MODULE, RIGHT ANGLE</b> <b>4 COLUMN, 4 PAIR</b>		10091844	rev <b>B</b>		
		0.XX	±-							
		0.XXX	±-							
ASME Y14.5	angular	0°	±°	www.fci.com	cat. no. SEE PART NUMBER TABLE	Product - Customer Drw	sheet 4 of 6			



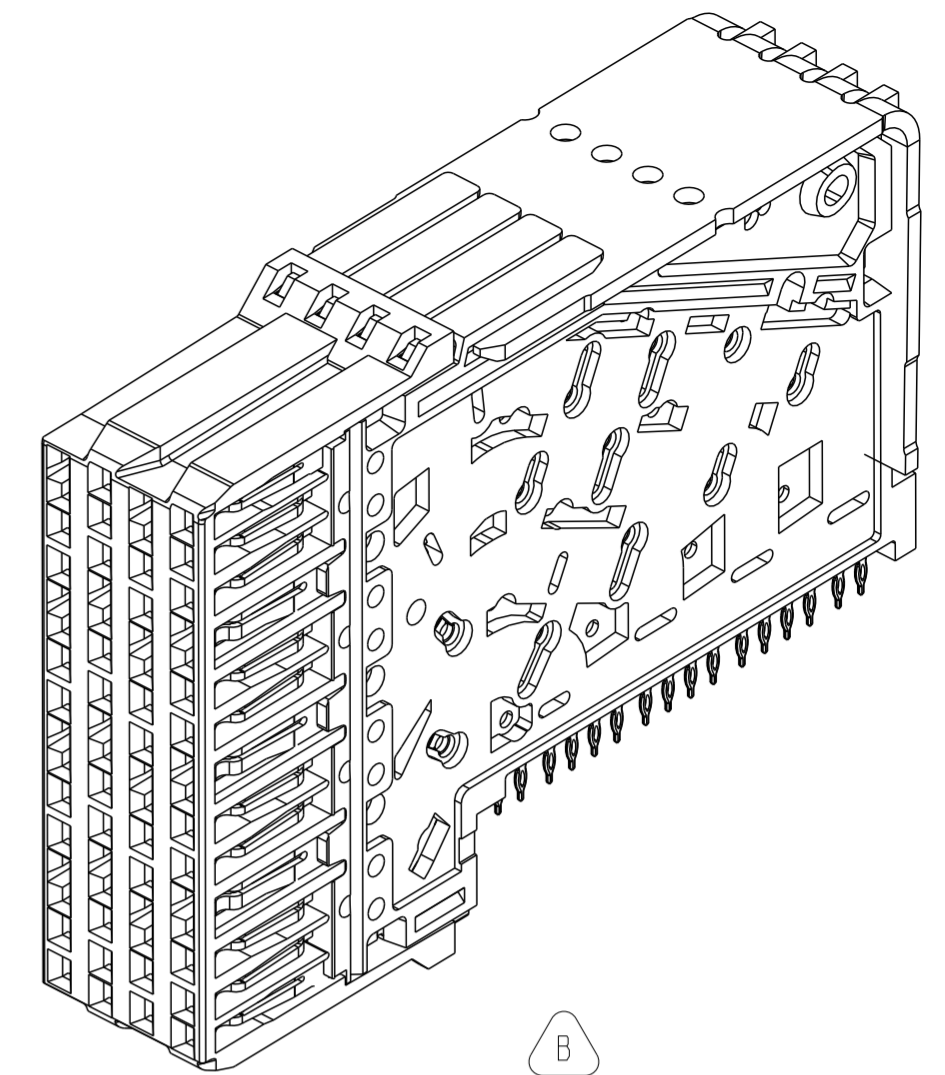
10091844-X01 & -X05  
HSD / 100Ω & 85Ω / STD EON  
SEE NOTE 14



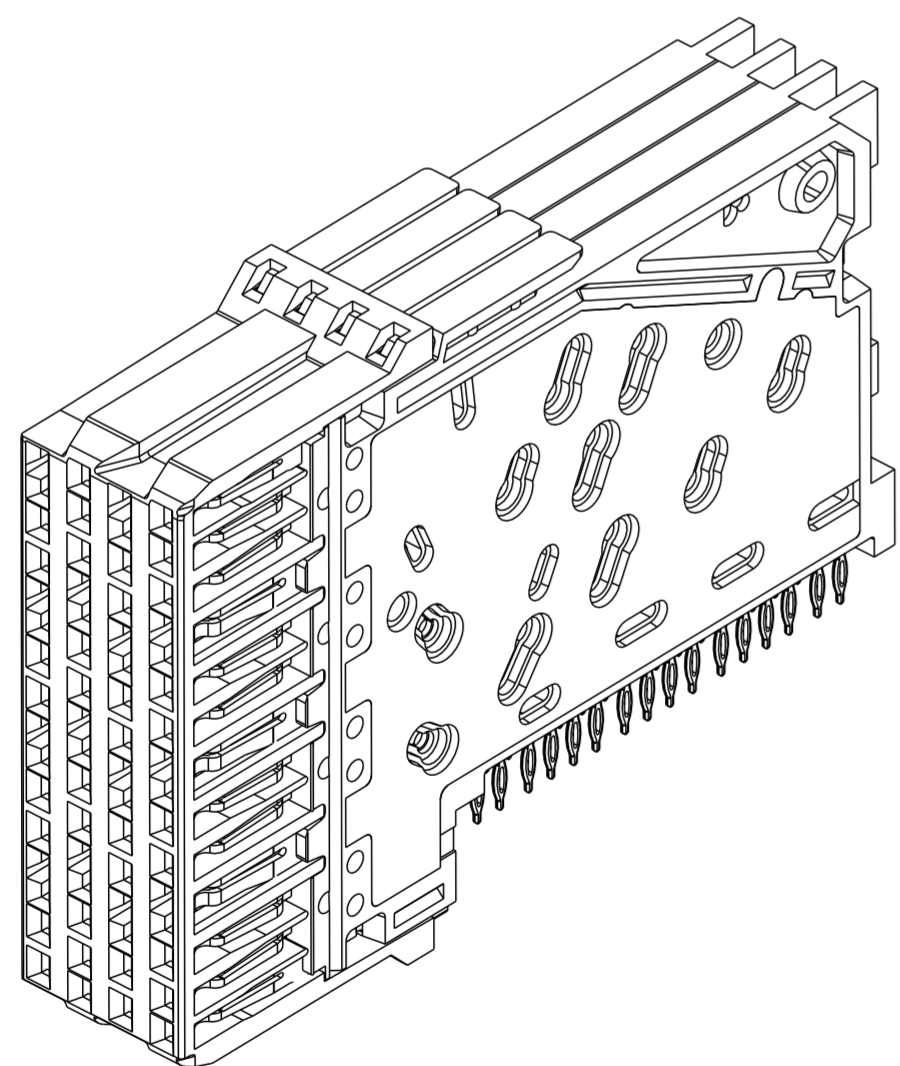
10091844-X02 & X06  
HSD / 100Ω & 85Ω / MICRO EON  
SEE NOTE 14



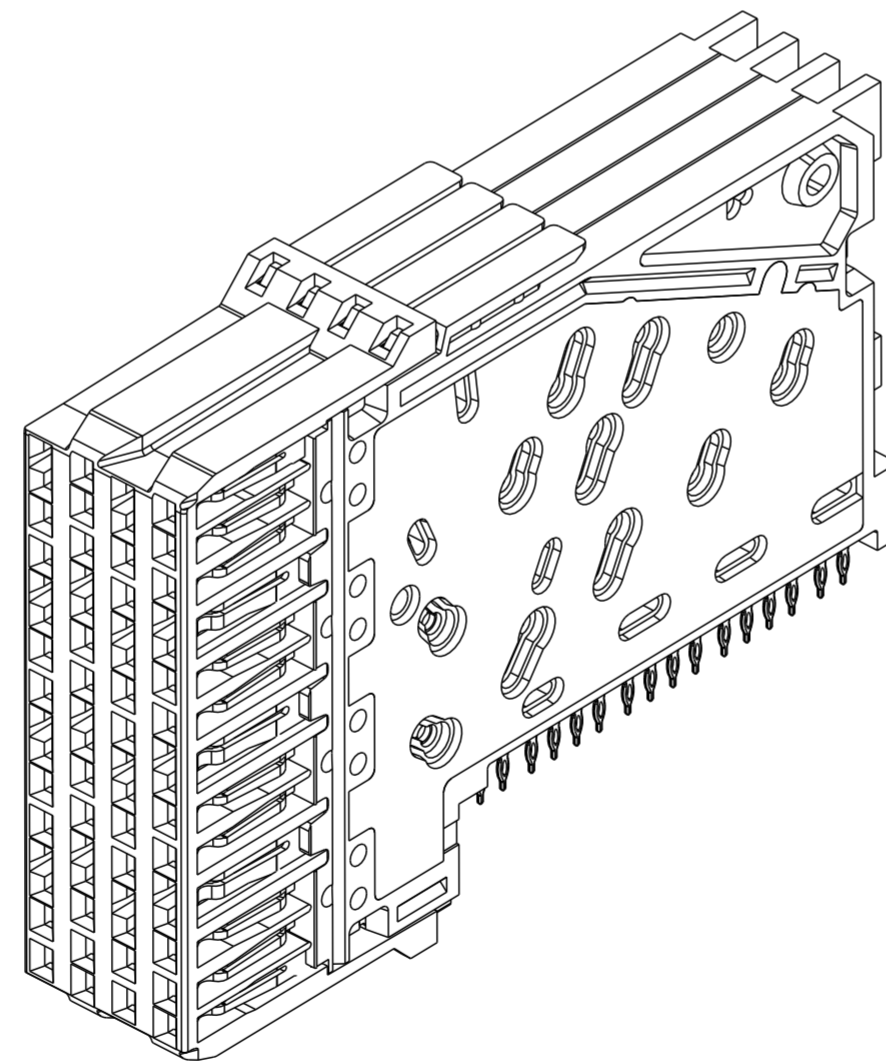
10091844-X03 & -X07  
LC / 100Ω & 85Ω / STD EON  
SEE NOTE 14



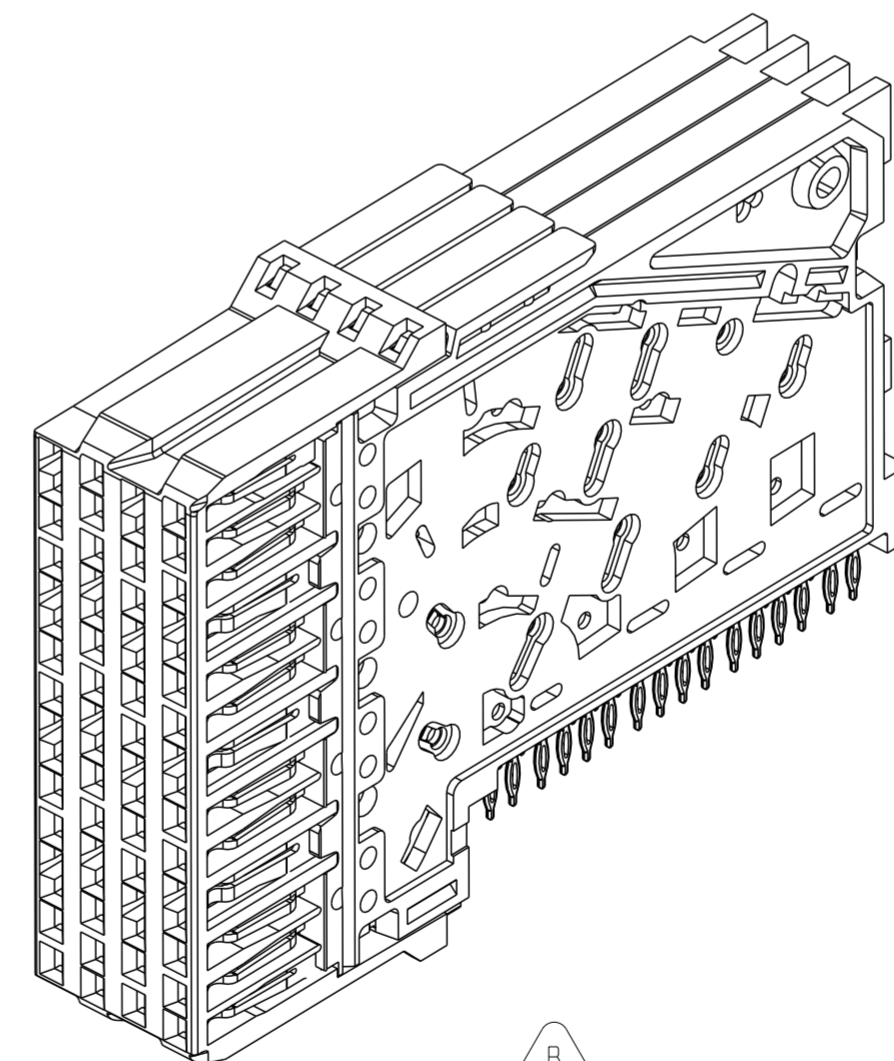
10091844-X04 & -X08  
LC / 100Ω & 85Ω / MICRO EON  
SEE NOTE 14



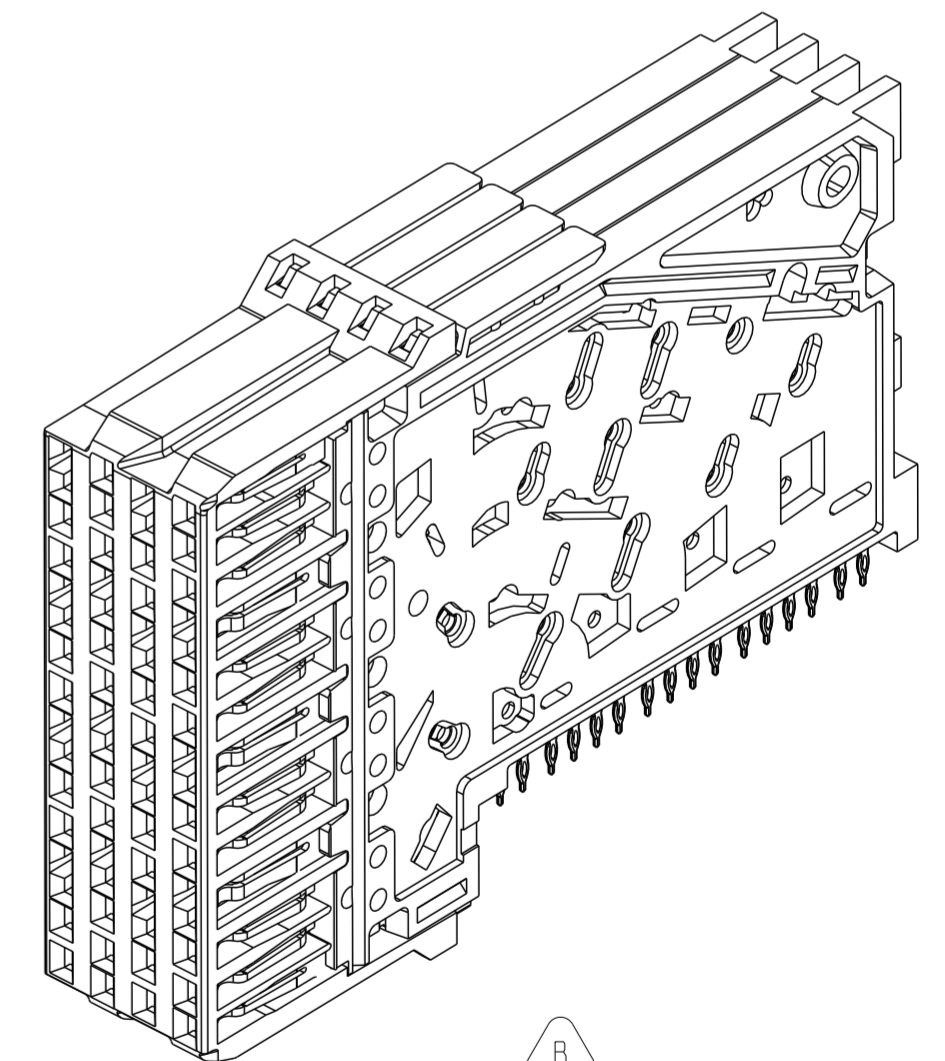
10091844-X11 & -X15  
HSD / 100Ω & 85Ω / STD EON  
SEE NOTE 15



10091844-X12 & X16  
HSD / 100Ω & 85Ω / MICRO EON  
SEE NOTE 15



10091844-X13 & -X17  
LC / 100Ω & 85Ω / STD EON  
SEE NOTE 15



10091844-X14 & -X18  
LC / 100Ω & 85Ω / MICRO EON  
SEE NOTE 15



Copyright FCI.

spec ref	SEE NOTES	dr	Jim Swain	2010/04/12	projection	mm	size	A2	scale	4:1										
tolerance std	TOLERANCES UNLESS OTHERWISE SPECIFIED	eng	Matthew Cheong	2011/10/07		mm	A2	4:1	ecn no	ELX-S-006502-1										
ASME Y14.5		chr	-	appr					Chen-Hong Tan	2011/10/07	product family	XCede	rel lev	CF	Released					
surface	<table border="1"> <tr> <td>linear</td> <td>0.X</td> <td>±</td> </tr> <tr> <td></td> <td>0.XX</td> <td>±</td> </tr> <tr> <td></td> <td>0.XXX</td> <td>±</td> </tr> <tr> <td>ASME Y14.5</td> <td>angular</td> <td>0°</td> <td>±</td> </tr> </table>	linear	0.X	±		0.XX	±		0.XXX	±	ASME Y14.5	angular	0°	±			<b>RECEPT MODULE, RIGHT ANGLE</b> <b>4 COLUMN, 4 PAIR</b>		cat. no. SEE PART NUMBER TABLE Product - Customer Draw	sheet 5 of 6
linear	0.X	±																		
	0.XX	±																		
	0.XXX	±																		
ASME Y14.5	angular	0°	±																	

PDS: Rev :B

STATUS:Released

Printed: Oct 07, 2011

NOTES:

1. CONNECTOR MATERIALS:

HOUSING: THERMOPLASTIC, GRAY, UL 94V-0  
 WAFERS: THERMOPLASTIC, GRAY, UL 94V-0  
 CONTACTS: HIGH-PERFORMANCE COPPER ALLOY  
 ORGANIZER: STAINLESS STEEL

2. CONTACT PLATING:

SEPARABLE INTERFACE: PERFORMANCE-BASED PLATING, QUALIFIED TO MEET THE REQUIREMENTS OF FCI PRODUCT SPECIFICATION GS-12-588, INCLUDING THE TELCORDIA GR-1217-CORE (ISSUE 2, DEC 2008) CENTRAL OFFICE TEST SEQUENCE.

PRESS-FIT TAILS: TIN-LEAD ALLOY OVER NICKEL OR TIN OVER NICKEL (LEAD FREE) AS NOTED. SEE "LEAD-FREE" COLUMN IN P/N TABLE.

3. PRODUCT SPECIFICATION: GS-12-588

4. APPLICATION SPECIFICATION: GS-20-121

5. PRODUCT MARKING: APPLIED TO CUSTOM MONOBLOCK ASSEMBLY

6. XCede® MODULES ARE DESIGNED TO BE STACKED INTO A MONOBLOCK ASSEMBLY, JOINED TOGETHER BY A COMMON STAMPED METAL ORGANIZER. INDIVIDUALLY ASSEMBLED MODULES ARE OFFERED FOR PURPOSES OF SAMPLING AND INITIAL DESIGN-IN EVALUATION AS IDENTIFIED IN THE PART NUMBER TABLE.

7. DRAWING IS INTENDED FOR LAYOUT PURPOSES ONLY.

8. STATED PAD SIZE MAY REQUIRE FILLETING. REFER TO FCI APPLICATION SPECIFICATION FOR ROUTING GUIDELINES.

9. SEE PCB REQUIREMENTS TABLE AND FCI APPLICATION SPECIFICATION GS-20-121 FOR PCB HOLE SPECIFICATIONS AND ROUTING GUIDELINES.

10. LEAD-FREE PRODUCT MEETS THE EUROPEAN UNION DIRECTIVES AND OTHER COUNTRY REGULATIONS AS DESCRIBED IN FCI SPECIFICATION GS-22-008.

11. REQUIREMENTS APPLY TO THE MAJORITY OF PCB FINISHES. SEE APPLICATION SPECIFICATION GS-20-121 FOR ADDITIONAL DETAILS AND EXCEPTIONS FOR LEAD-FREE HASL AND IMMERSION SILVER FINISHES.

12. PACKAGING MEETS FCI SPECIFICATION GS-14-920 FOR LEAD-FREE LABELING.

13. THE SPECIFIED KEEP-OUT AREA IS REQUIRED FOR CONNECTOR REPAIRABILITY.

14. INDIVIDUAL MODULE ASSEMBLIES INCLUDING ASSEMBLED METAL ORGANIZER. THESE MODULES ARE TO BE USED FOR SAMPLING AND INITIAL EVALUATION ONLY. REF NOTE 6.

15. INDIVIDUAL MODULES TO BE SPECIFIED AND USED IN CUSTOM MONOBLOCK CONFIGURATIONS. REFERENCE NOTE 6 AND FCI APPLICATION SPECIFICATION FOR ADDITIONAL CONFIGURATION GUIDELINES AND INFORMATION.

16. A <sup>B</sup> SYMBOL WILL BE NEXT TO ANY DIMENSION, VIEW OR NOTES WHICH HAS BEEN MODIFIED WITH THE CURRENT DRAWING REVISION.

Copyright FCI. FCI

spec ref	SEE NOTES	dr	Jim Swain	2010/04/12	projection	mm	size	A2	scale	2:1
tolerance std	TOLERANCES UNLESS OTHERWISE SPECIFIED	eng	Matthew Cheong	2011/10/07		mm	ecn no	ELX-S-006502-1	rel rev	Released
ASME Y14.5		chr	-	-						
		appr	Chen-Hong Tan	2011/10/07						
surface	linear	0.X	±-		title	RECEPT MODULE, RIGHT ANGLE 4 COLUMN, 4 PAIR	dwg no	10091844	rev	B
ASME Y14.5		0.XX	±-							
	angular	0°	±°							
		www.fci.com		cat. no.	SEE PART NUMBER TABLE		Product - Customer Drw		sheet 6 of 6	