



Chipsmall Limited consists of a professional team with an average of over 10 year of expertise in the distribution of electronic components. Based in Hongkong, we have already established firm and mutual-benefit business relationships with customers from,Europe,America and south Asia,supplying obsolete and hard-to-find components to meet their specific needs.

With the principle of "Quality Parts,Customers Priority,Honest Operation,and Considerate Service",our business mainly focus on the distribution of electronic components. Line cards we deal with include Microchip,ALPS,ROHM,Xilinx,Pulse,ON,Everlight and Freescale. Main products comprise IC,Modules,Potentiometer,IC Socket,Relay,Connector.Our parts cover such applications as commercial,industrial, and automotives areas.

We are looking forward to setting up business relationship with you and hope to provide you with the best service and solution. Let us make a better world for our industry!



## Contact us

Tel: +86-755-8981 8866 Fax: +86-755-8427 6832

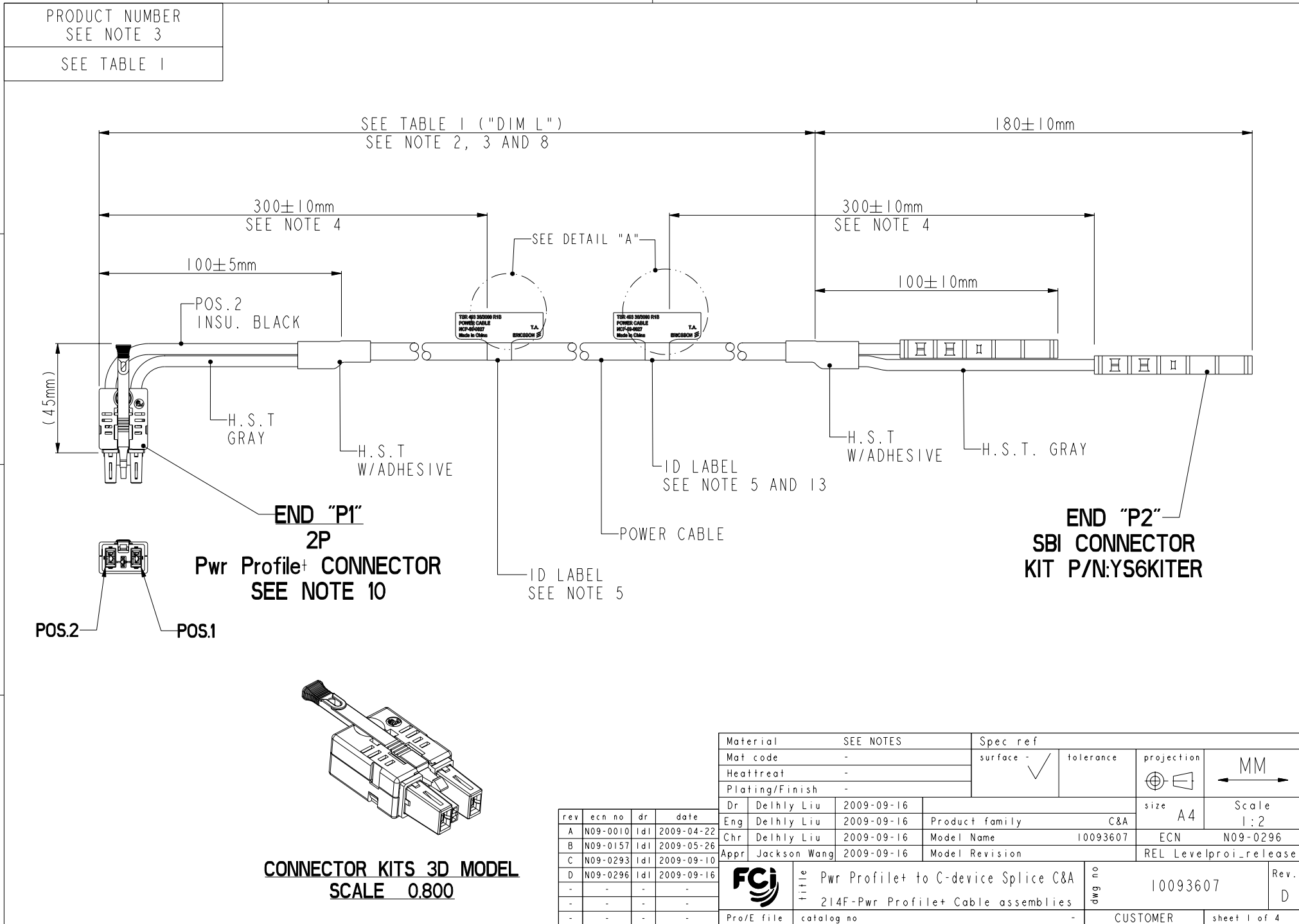
Email & Skype: info@chipsmall.com Web: www.chipsmall.com

Address: A1208, Overseas Decoration Building, #122 Zhenhua RD., Futian, Shenzhen, China





This document is the property of and embodies CONFIDENTIAL and PROPRIETARY information of FCI. No part of the information shown on this document may be used in any way or disclosed to others without the written consent of FCI. Copyright FCI.



**CONNECTOR KITS 3D MODEL  
SCALE 0.800**

rev	ecn no	dr	date
A	N09-0010	Id1	2009-04-22
B	N09-0157	Id1	2009-05-26
C	N09-0293	Id1	2009-09-10
D	N09-0296	Id1	2009-09-16
-	-	-	-
-	-	-	-

Material	SEE NOTES	Spec ref			
Mat code	-	surface	✓	tolerance	projection
Heat treat	-				MM
Plating/Finish	-				←→
Dr	Delhly Liu	2009-09-16	size	A4	Scale
Eng	Delhly Liu	2009-09-16	Product family	C&A	1:2
Chr	Delhly Liu	2009-09-16	Model Name	10093607	ECN N09-0296
Appr	Jackson Wang	2009-09-16	Model Revision		REL Levelproi_release
		title	Pwr Profile+ to C-device Splice C&A		Rev.
		title	214F-Pwr Profile+ Cable assemblies		D
Pro/E file	catalog no	dwg no	10093607		
		CUSTOMER	sheet 1 of 4		

REV F: 2006-04-17



FCI CONFIDENTIAL

This document is the property of and embodies CONFIDENTIAL and PROPRIETARY information of FCI. No part of the information shown on this document may be used in any way or disclosed to others without the written consent of FCI. Copyright FCI.

REV F: 2006-04-17

PIN OUT/WIRING TABLE (SEE NOTE 6)					
FROM "P1"	WIRE SIZE	TYPE	TO "P2"	COLOR	NOTES
POS.1	6 mm <sup>2</sup>	POWER 0V	YS6KITER	GRAY H.S.T.	OUTER CORE
POS.2	6 mm <sup>2</sup>	POWER -48V	YS6KITER	BLACK	INNER CORE

P/N AND DIMENSION TABLE 1 (SEE NOTE 3)				
No.	FCI P/N	CUSTOMER P/N	DIM L	TOLERANCE
1	10093607-40290YYLF	TSR 493 36/2900	2.9 METER	+29/-0 mm
2	10093607-40300YYLF	TSR 493 36/3000	3 METER	+30/-0 mm
3	10093607-40600YYLF	TSR 493 36/6000	6 METER	+120/-0 mm
4	10093607-41000YYLF	TSR 493 36/10M	10 METER	+200/-0 mm

	title	Pwr Profile+ to C-device Splice C&A		dwg no	10093607	Rev.	D
		214F-Pwr Profile+ Cable assemblies					
Pro/E file	catalog no	-	CUSTOMER	sheet 2 of 4			



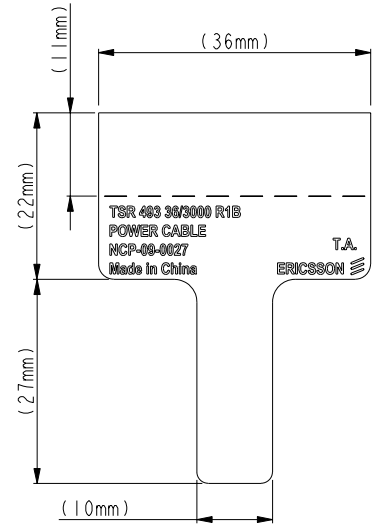
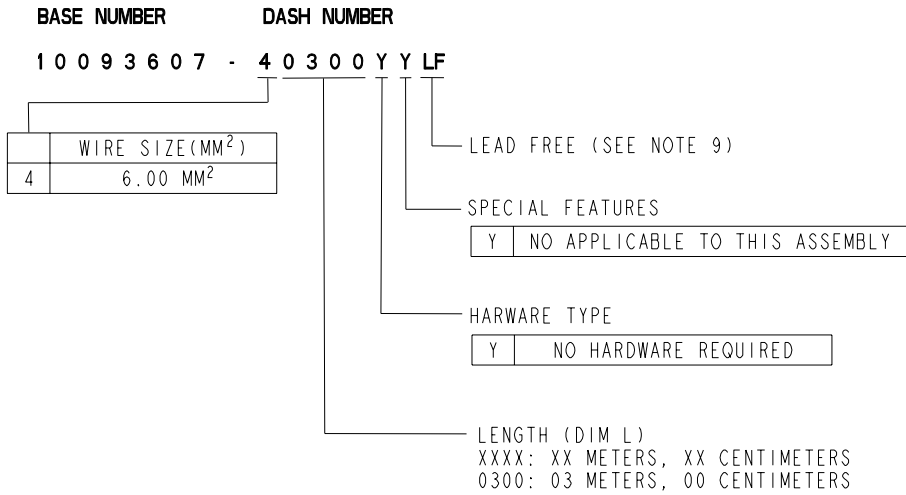
FCI CONFIDENTIAL

This document is the property of and embodies CONFIDENTIAL and PROPRIETARY information of FCI. No part of the information shown on this document may be used in any way or disclosed to others without the written consent of FCI. Copyright FCI.

REV F: 2006-04-17

NOTES:

- 1. END "P1" MATES WITH FCI HEADER PART NUMBER: 10089872-101LF  
END "P2" MATES WITH FCI HEADER PART NUMBER: N/A
- 2. UNLESS OTHERWISE SPECIFIED ASSEMBLED LENGTH TOLERANCE =  
< = 1 METER: ±10.0mm/-0  
> 1 METER TO 4 METER: ±1% /-0 OF ALL LENGTHS  
> = 4 METER: +2% / -0 OF ALL LENGTHS
- 3. PART NUMBER DESCRIPTION:



DETAIL "A" LABEL PRINT EXAMPLE  
SEE NOTE 5

	title	Pwr Profile+ to C-device Splice C&A		dwg no	10093607	Rev.	D
	Pro/E file	catalog no	-		CUSTOMER		sheet 3 of 4



NOTES CONTINUED:

- 4. LABEL POSITION SHALL BE APPROXIMATELY 300MM FROM REAR OF CONNECTOR AND ACCORDING TO ERICSSON DOCUMENT 10201-BYB 501+ Uen.
- 5. LABELING SHALL BE DONE AS PER ERICSSON DOCUMENT 10201-113 Uen AND 1301-LZF083278 Uen, LABEL TYPE IN ACCORD WITH LZF083278/3
  - ERICSSON P/N AND REV
  - DESCRIPTION ("POWER CABLE"), T.A. (T.A. STANDS FOR TEST APPROVED), PLACED IN RIGHT MARGIN
  - MANUFACTURING WEEK, BATCH INCLUDING FACTORY CODE
  - COUNTRY OF ORIGIN, ERICSSON LOGO (RIGHT MARGIN)

FONT SHALL BE CLEARLY VISABLE AND BLACK IN COLOR.
- 6. ALL CABLE ASSEMBLIES SHALL BE TESTED 100% FOR CONTINUITY AS DEFINED IN WIRING LIST.
- 7. UNLESS OTHERWISE SPECIFIED ALL CABLE ASSEMBLIES SHALL BE 100% HI-POT TESTED BY APPLYING 300V DC FOR MINIMUM OF 10ms, UNLESS ACTIVE COMPONENTS ARE USED IN THIS ASSEMBLY.
- 8. THIS DIMENSION IS A FINISHED PRODUCT LENGTH.
- 9. LEAD FREE PRODUCTS MEET EUROPEAN UNION DIRECTIVES AND OTHER COUNTRY REGULATIONS AS DESCRIBED IN GS-22-008.  
LEAD FREE CRIMP BARREL PLATING 2.0  $\mu\text{m}$  MIN. MATTE Sn OVER 1.27  $\mu\text{m}$  NICKEL UNDERPLATE.
- 10. CONNECTOR ASSEMBLIES SHOWN ARE FOR REFERENCE ONLY AND MAY NOT SHOW ALL PART DETAIL.
- 11. PACKAGING SPECIFICATIONS SHALL BE ACCORDING TO GS-14-1341 AND GS-14-920 AND ERICSSON DOCUMENT 15191-487
- 12. END P1 CON. CRIMP HEIGHT REFER TO 2.48+/-0.06MM AND INS. CRIMP HEIGHT 4.9MM MAX. FOR CABLE SIZE 10AWG(6SQMM)
- 13. IF THE CABLE LENGTH IS MORE THAN 3 METER A SECOND IDENTITY LABEL SHALL BE PLACED IN END P2
- 14. A " $\triangle$ " SYMBOL WILL BE NEXT TO ANY DIMENSION, VIEW, OR NOTE WHICH HAD BEEN MODIFIED WITH THE CURRENT DRAWING REVISION.
- 15. MATERIALS:  
CABLE: UL RECONIZED, TEMPERATURE RATING 90°C, 300V MIN, COLOR GRAY  
HOUSING: PPA, UL94V-0 GLASS FILLED, COLOR: BLACK  
POWER CONTACTS: COPPER ALLOY WITH CRIMPING TYPE

	title	Pwr Profile+ to C-device Splice C&A		Rev.
		214F-PwrProfile+ Cable assemblies		
Pro/E file	catalog no	dwg no	10093607	CUSTOMER
				sheet 4 of 4