



Chipsmall Limited consists of a professional team with an average of over 10 year of expertise in the distribution of electronic components. Based in Hongkong, we have already established firm and mutual-benefit business relationships with customers from,Europe,America and south Asia,supplying obsolete and hard-to-find components to meet their specific needs.

With the principle of “Quality Parts,Customers Priority,Honest Operation,and Considerate Service”,our business mainly focus on the distribution of electronic components. Line cards we deal with include Microchip,ALPS,ROHM,Xilinx,Pulse,ON,Everlight and Freescale. Main products comprise IC,Modules,Potentiometer,IC Socket,Relay,Connector.Our parts cover such applications as commercial,industrial, and automotives areas.

We are looking forward to setting up business relationship with you and hope to provide you with the best service and solution. Let us make a better world for our industry!



## Contact us

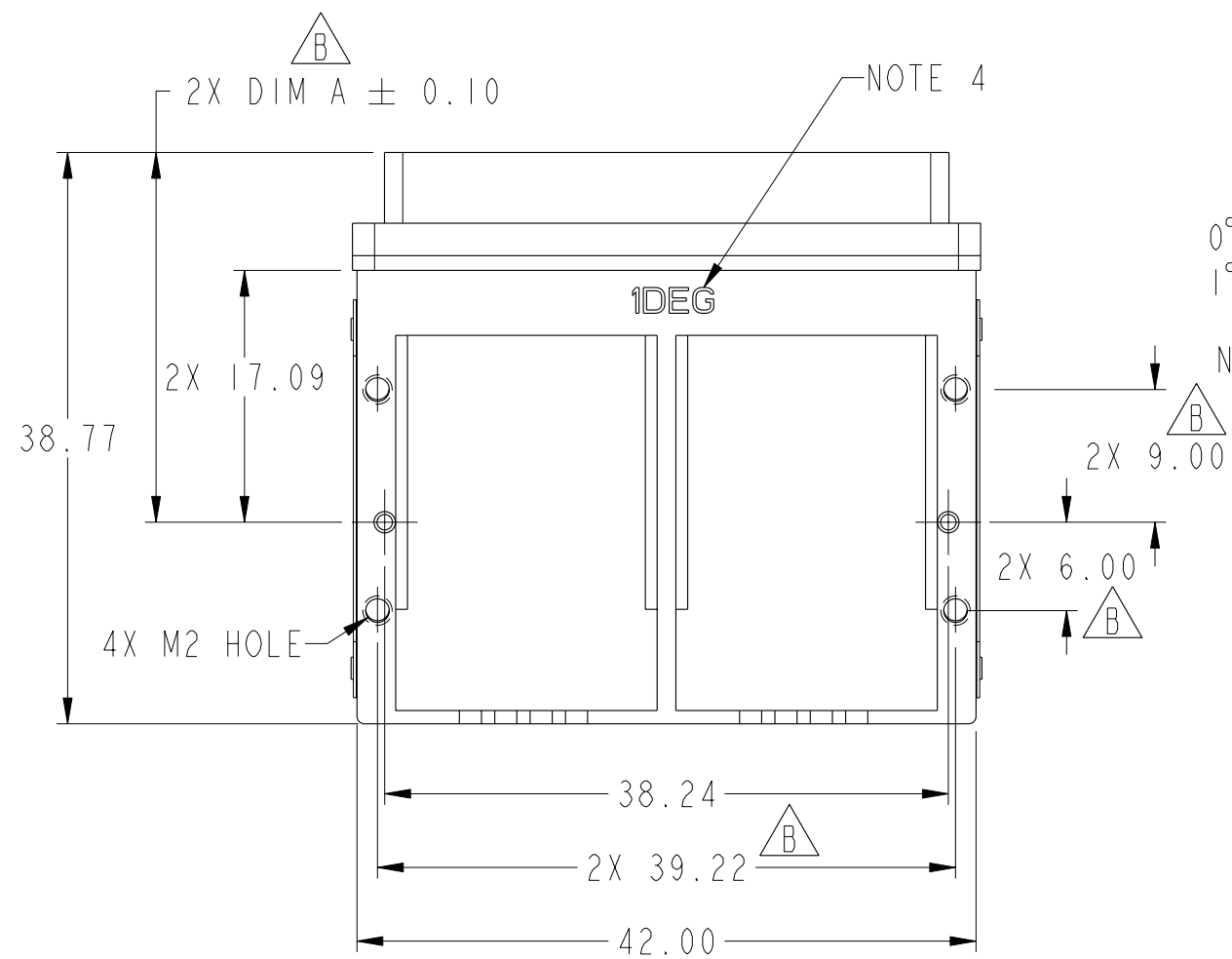
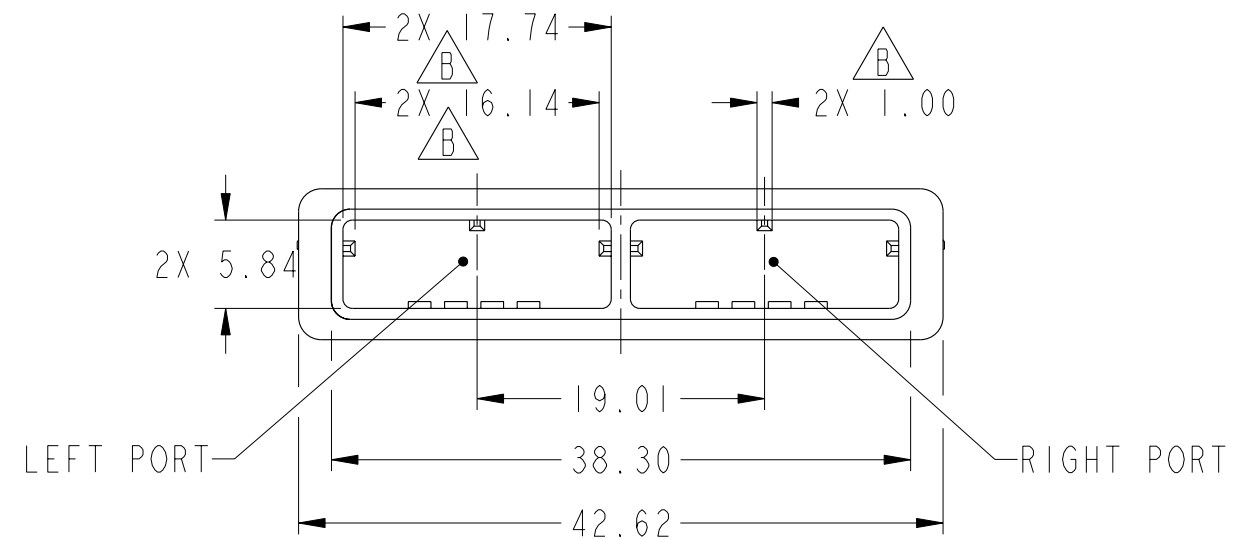
Tel: +86-755-8981 8866 Fax: +86-755-8427 6832

Email & Skype: info@chipsmall.com Web: www.chipsmall.com

Address: A1208, Overseas Decoration Building, #122 Zhenhua RD., Futian, Shenzhen, China



PRODUCT NUMBER  
SEE TABLE

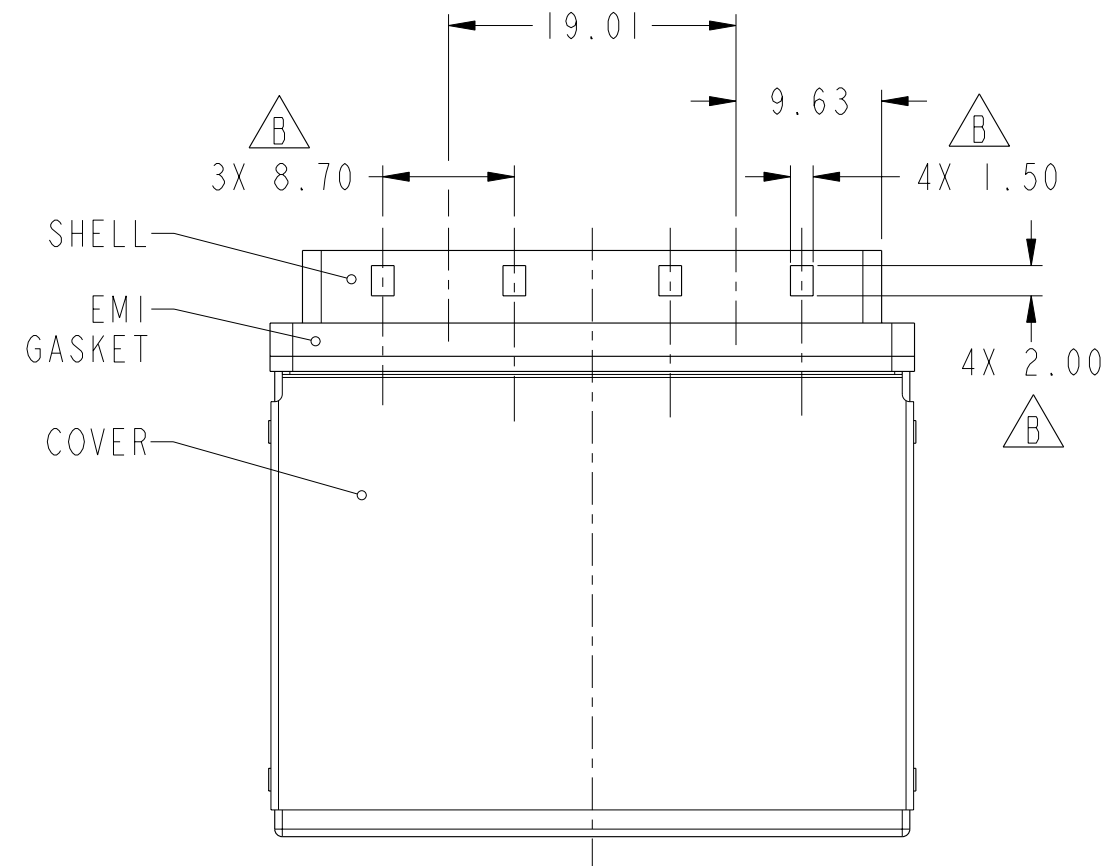


0° OR OPTIONAL  
1° ANGLE SEE  
PRODUCT  
NUMBER TABLE

Ø 1.45

1.00

DIM B



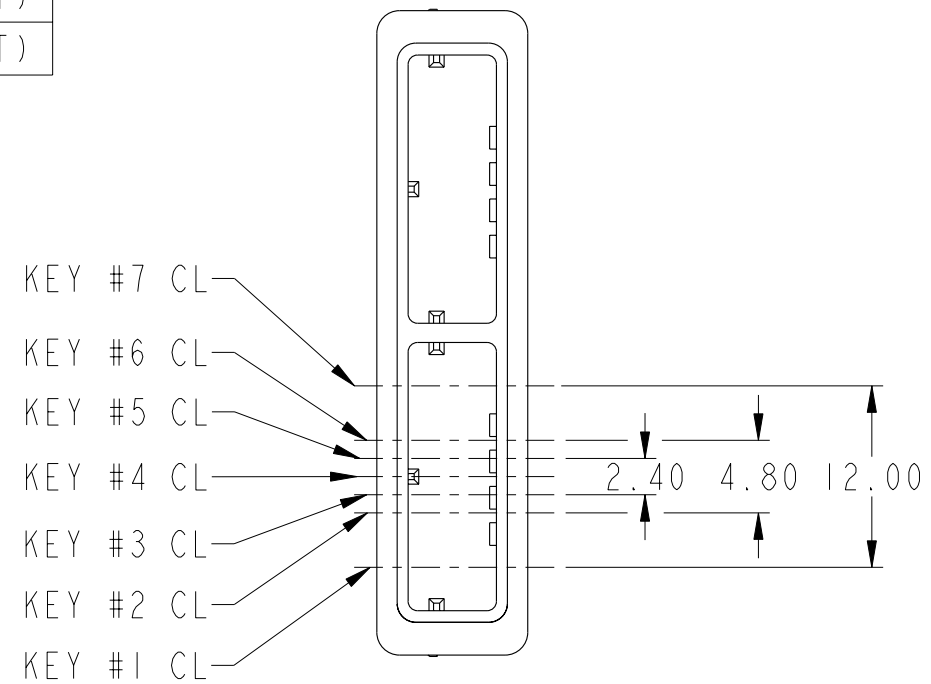
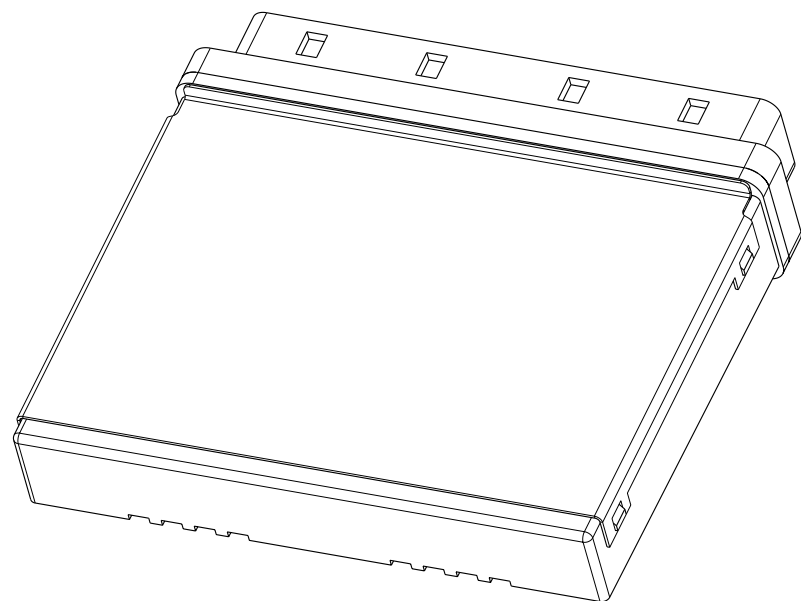
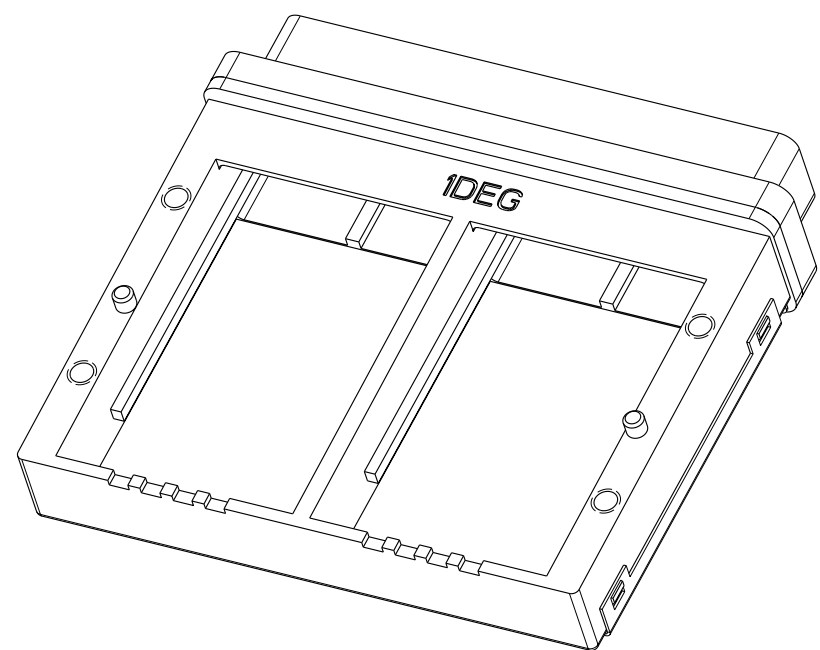
Copyright FCI.

rev	ecn no	dr	date
A	V09-0420	RE	2009-08-20
B	V09-0550	MRG	2009-11-20
-	-	-	-
-	-	-	-
-	-	-	-
-	-	-	-

www.fciconnect.com		surface - ✓ ASME Y14.5	tolerance std ASME Y14.5 -	projection ⊕	MM
TOLERANCES UNLESS OTHERWISE SPECIFIED					
Dr	S. MANOHARAN	2009-03-25	ANGULAR	0.X	±0.10
Eng	J. SHUEY	2009-03-25	LINEAR	0.XX	±0.05
Chr	J. SHUEY	2009-03-25	0° ±1°	0.XXX	±-
Appr	J. SHUEY	2009-03-25	Product family	MINI-SAS	Spec ref -
FCI			1 X 2 GANGED CAGE		Rev. B
			MINI-SAS CONNECTOR		
catalog no			-		
			CUSTOMER		sheet 1 of 3

REV F - 2006-04-17

PRODUCT NUMBER	DIM A	DIM B	GASKET INCLUDED	STYLE	RAIL KEY POSITION
10098872-1102LF	25.09	6.97	YES	WITH COVER, 0 DEGREE	#4(LEFT), #4(RIGHT)
10098872-1302LF	24.96	6.45	YES	WITH COVER, 1 DEGREE	#4(LEFT), #4(RIGHT)



RAIL KEY DIMENSION

NOTES:

- ① MATERIAL:  
 SHIELD: ZINC ALLOY  
 PLATING: 3.81µm NICKEL MIN.  
 COVER: COPPER ALLOY  
 PLATING: 1.27µm NICKEL MIN.  
 EMI GASKET: FLEXIBLE CONDUCTIVE MATERIAL
2. PRODUCT SPECIFICATION: GS-12-548
3. APPLICATION SPECIFICATION: GS-20-124
- ④ PRODUCT NUMBER 10098872-1302LF WILL BE MARKED WITH "1 DEG". PRODUCT NUMBER 10098872-1102LF WILL NOT HAVE A MARKING.
5. PRODUCT MEETS EUROPEAN UNION DIRECTIVES AND OTHER COUNTRY REGULATIONS AS DESCRIBED IN GS-22-008.

⑥ A SYMBOL WILL BE NEXT TO ANY DIMENSION, VIEW, OR NOTE, WHICH HAS BEEN MODIFIED WITH THE CURRENT DRAWING REVISION.

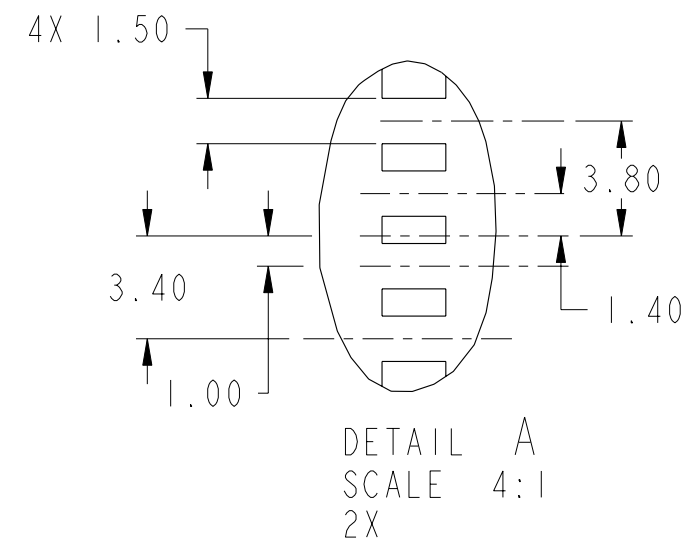
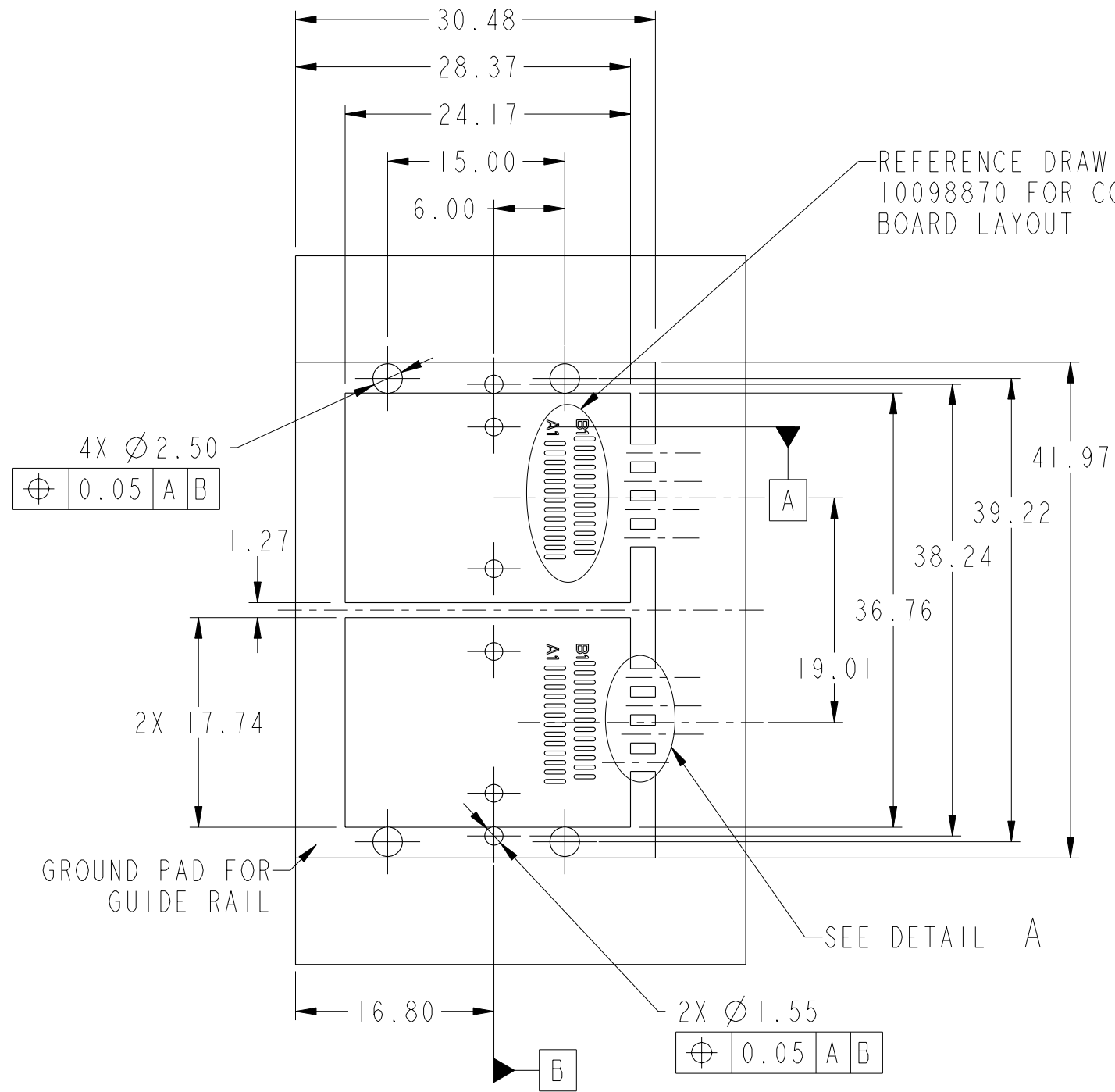


Copyright FCI.

	title	1 X 2 GANGED CAGE	dwg no	10098872	Rev.	
	part no	MINI-SAS CONNECTOR			B	
	catalog no	-	CUSTOMER	sheet 2 of 3		



PRODUCT NUMBER  
SEE TABLE



Copyright FCI.  
**FCI**

<b>FCI</b>	title	1 X 2 GANGED CAGE	dwg no	10098872	Rev.	
		MINI-SAS CONNECTOR			B	
	catalog no	-	CUSTOMER	sheet 3 of 3		