



Chipsmall Limited consists of a professional team with an average of over 10 year of expertise in the distribution of electronic components. Based in Hongkong, we have already established firm and mutual-benefit business relationships with customers from,Europe,America and south Asia,supplying obsolete and hard-to-find components to meet their specific needs.

With the principle of “Quality Parts,Customers Priority,Honest Operation,and Considerate Service”,our business mainly focus on the distribution of electronic components. Line cards we deal with include Microchip,ALPS,ROHM,Xilinx,Pulse,ON,Everlight and Freescale. Main products comprise IC,Modules,Potentiometer,IC Socket,Relay,Connector.Our parts cover such applications as commercial,industrial, and automotives areas.

We are looking forward to setting up business relationship with you and hope to provide you with the best service and solution. Let us make a better world for our industry!



Contact us

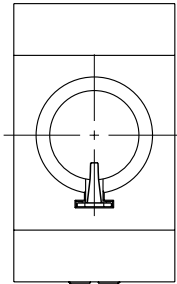
Tel: +86-755-8981 8866 Fax: +86-755-8427 6832

Email & Skype: info@chipsmall.com Web: www.chipsmall.com

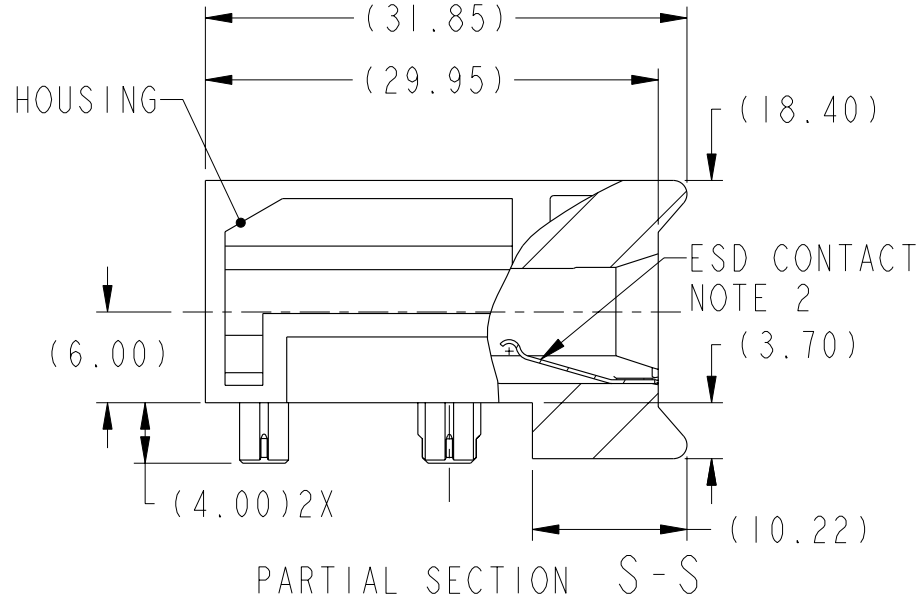
Address: A1208, Overseas Decoration Building, #122 Zhenhua RD., Futian, Shenzhen, China



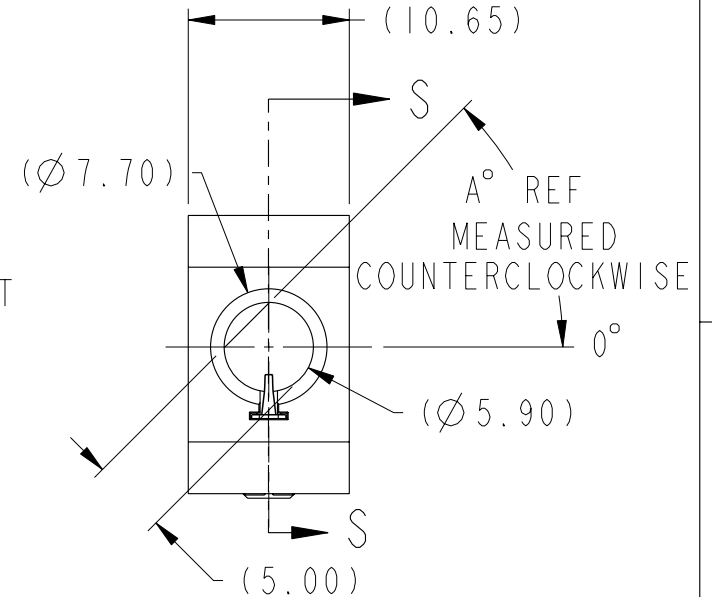
PRODUCT NUMBER
SEE TABLE, SHT 3



VIEW H
ESD ORIENTAION

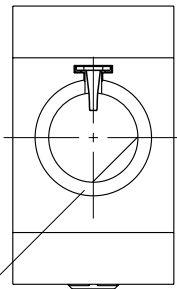


PARTIAL SECTION S-S

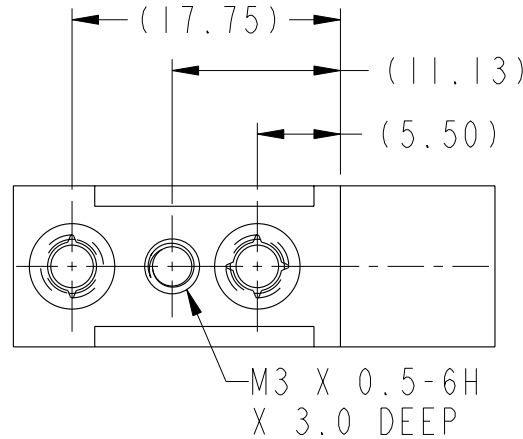


VIEW F
ESD ORIENTATION
(P/N 10098939-102 SHOWN)

A° REF
MEASURED
COUNTERCLOCKWISE



VIEW G
ESD ORIENTATION



rev	ecn no	dr	date
A	S09-0296	CH	2009-09-17
-	-	-	-
-	-	-	-
-	-	-	-
-	-	-	-
-	-	-	-

www.fciconnect.com		surface - ✓ ASME Y14.5	tolerance std ASME Y14.5 -	projection	MM
		TOLERANCES UNLESS OTHERWISE SPECIFIED			
Dr	C. H. TAN	2009-04-03	ANGULAR	0.X ±0.3	size A4
Eng	C. H. TAN	2009-04-03	LINEAR	0.XX ±0.10	Scale 1:1
Chr	C. H. TAN	2009-09-17	0° ±2°	0.XXX ±0.050	ECN S09-0296
Appr	JOEY NG	2009-09-17	Product family	-	Spec ref
		10.8mm GUIDE MODULE ASSY WITH ESD & KEYING OPTIONS		dwg no 10098939	Rev. A
catalog no		-		CUSTOMER	sheet 1 of 4



1

2

3

4

A

B

C

D

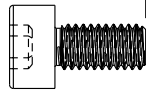
A

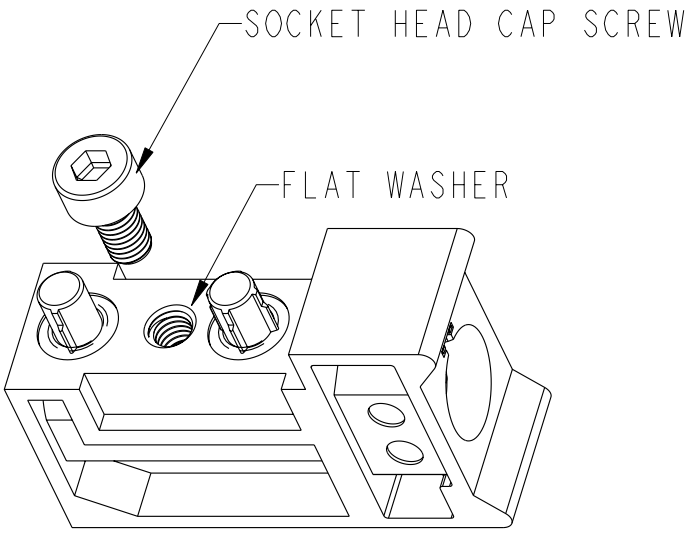
B

C

D

TABLE 1 (SEE NOTE 10)

CUSTOMER BOARD THICKNESS	DIM "L" 	P/N "Z" DESIGNATION
1.60 MAX	4.00	10098939-1XYZ00LF



P/N DESIGNATION: 10098939-1XYZ00LF

- ↑ LEAD-FREE DESIGNATION: NOTE 8
- ↑ BOARD THICKNESS/SCREW LENGTH: SEE TABLE 1
- ↑ KEYING ORIENTATION: SEE TABLE 2 (SHEET 3)
- ↑ ESD PIN: SEE NOTE 4



Copyright FCI.



10.8mm GUIDE MODULE ASSY WITH ESD & KEYING OPTIONS	10098939	Rev. A
catalog no	CUSTOMER	sheet 2 of 4

1

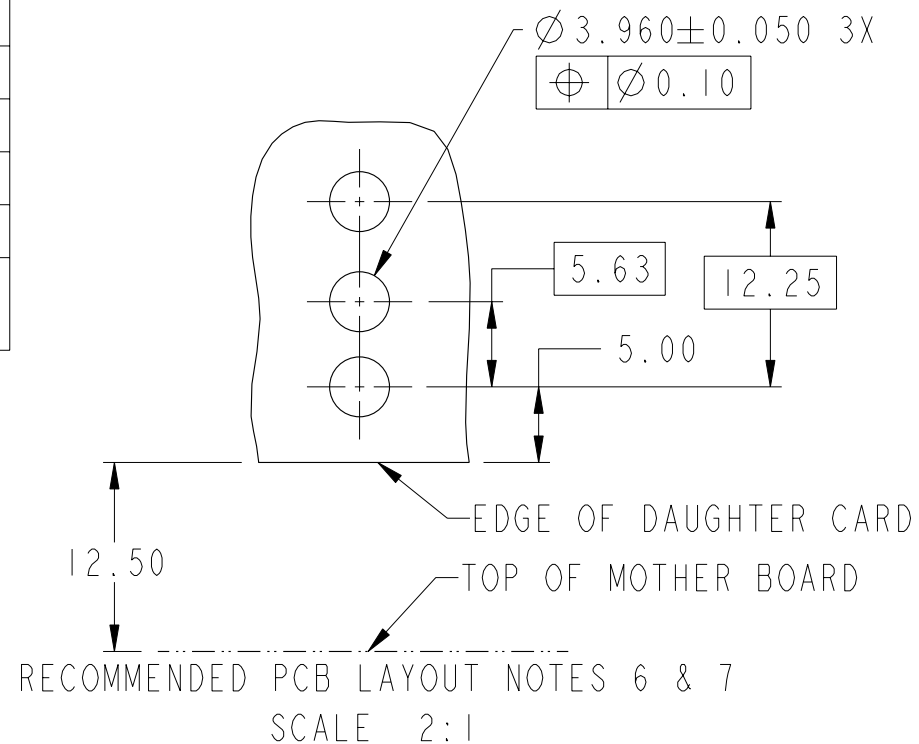
2

3

4

TABLE 2

PRODUCT NUMBER NOTES 4	DIM A	ESD PIN LOCATION
10098939-1X1Z00LF	0°	PER VIEW F
10098939-1X2Z00LF	45°	PER VIEW F
10098939-1X3Z00LF	90°	PER VIEW F
10098939-1X4Z00LF	135°	PER VIEW G
10098939-1X5Z00LF	180°	PER VIEW G
10098939-1X6Z00LF	225°	PER VIEW G
10098939-1X7Z00LF	270°	PER VIEW G
10098939-1X8Z00LF	315°	PER VIEW F
10098939-1X9Z00LF	N/A NOTE 5	PER VIEW H



Copyright FCI.



TITLE 10.8mm GUIDE MODULE ASSY
WITH ESD & KEYING OPTIONS

dwg no 10098939

Rev. A

catalog no -

CUSTOMER

sheet 3 of 4

A

B

C

D

A

B

C

D

- ①. MATERIAL: ZINC ALLOY
- ②. FINISH: HOUSING; ZINC YELLOW CHROMATE
ESD CONTACT; 1.27um MINIMUM NICKEL ALL OVER
3. APPLICATION SPEC: GS-20-045
- ④. X = 0 FOR MODULES WITH ESD GROUNDING OPTION
X = 1 FOR MODULES W/O ESD GROUNDING OPTION
- ⑤. FOR THE -109xxxLF VERSION (NO KEY) THE MATING GUIDE PIN MUST BE ORIENTATED SO IT MAKES CONTACT WITH THE ESD PIN
- ⑥. THRU HOLE PLATING AND ANNULAR RINGS MUST BE ADDED AS APPROPRIATE FOR APPLICATIONS WITH THE ESD GROUNDING OPTION.
FINISHED HOLE SIZE IS THE SAME REGARDLESS OF PLATED BARREL OR NOT
- ⑦. REFER TO CUSTOMER DRAWING 10035911 FOR INFORMATION REGARDING PCB LAYOUT OF POWER AND GUIDE MODULES RELATIVE TO SIGNAL MODULES
- ⑧. THIS PRODUCT MEETS EUROPEAN UNION DIRECTIVES AND OTHER COUNTRY REGULATIONS AS DESCRIBED IN GS-22-008.
9. PACKAGING MEETS GS-14-920 LEAD FREE LABELING SPECIFICATION.
10. SOCKET SCREW LENGTH IS DETERMINED BY CARD THICKNESS & WASHERS THICKNESS. REFER TO SECTION 7.2 OF GS-20-045 FOR SCREW LENGTH SIZING



Copyright FCI.

	title 10.8mm GUIDE MODULE ASSY WITH ESD & KEYING OPTIONS	dwg no 10098939	Rev. A
	catalog no -	CUSTOMER	sheet 4 of 4