



Chipsmall Limited consists of a professional team with an average of over 10 year of expertise in the distribution of electronic components. Based in Hongkong, we have already established firm and mutual-benefit business relationships with customers from,Europe,America and south Asia,supplying obsolete and hard-to-find components to meet their specific needs.

With the principle of “Quality Parts,Customers Priority,Honest Operation,and Considerate Service”,our business mainly focus on the distribution of electronic components. Line cards we deal with include Microchip,ALPS,ROHM,Xilinx,Pulse,ON,Everlight and Freescale. Main products comprise IC,Modules,Potentiometer,IC Socket,Relay,Connector.Our parts cover such applications as commercial,industrial, and automotives areas.

We are looking forward to setting up business relationship with you and hope to provide you with the best service and solution. Let us make a better world for our industry!



Contact us

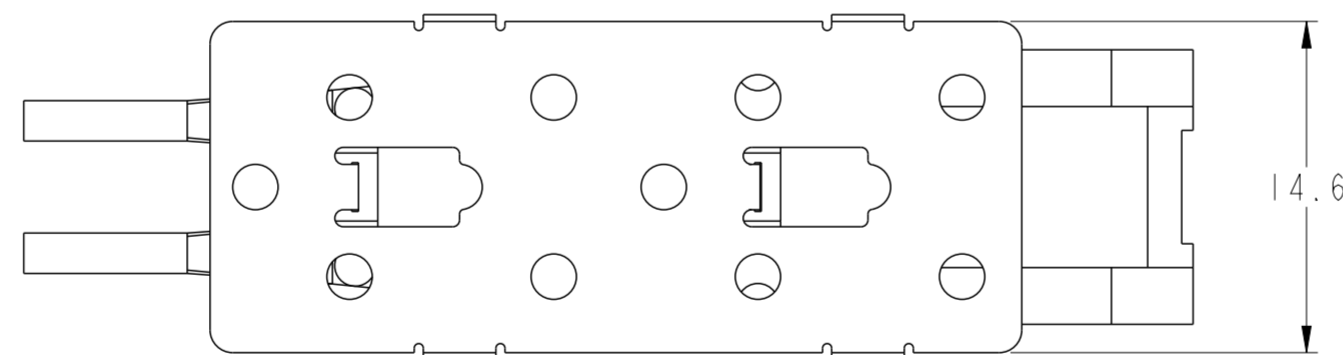
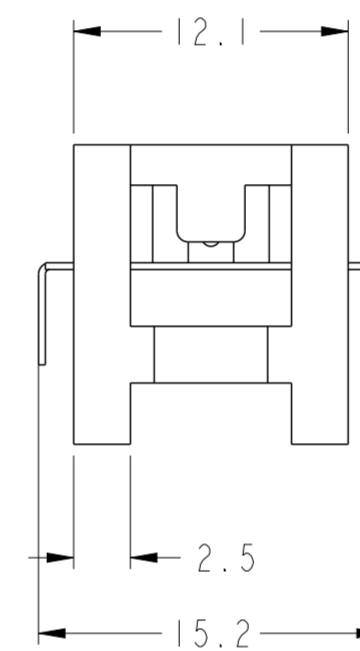
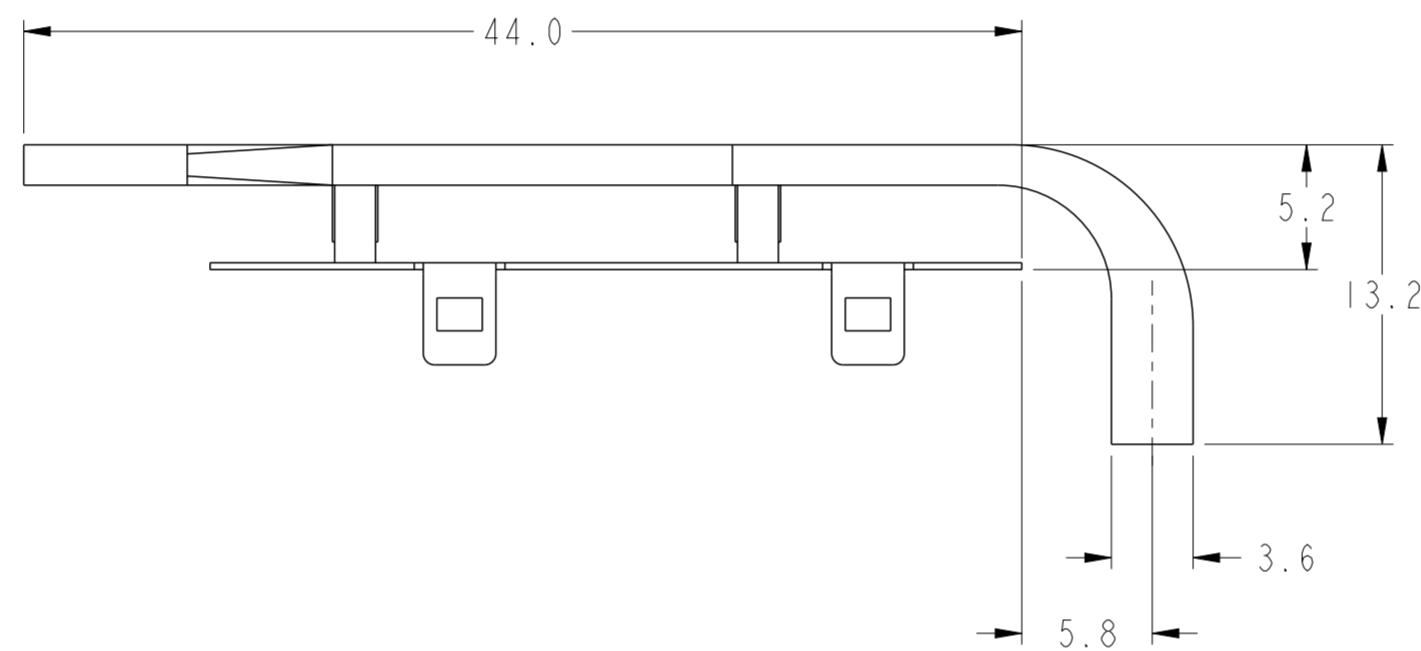
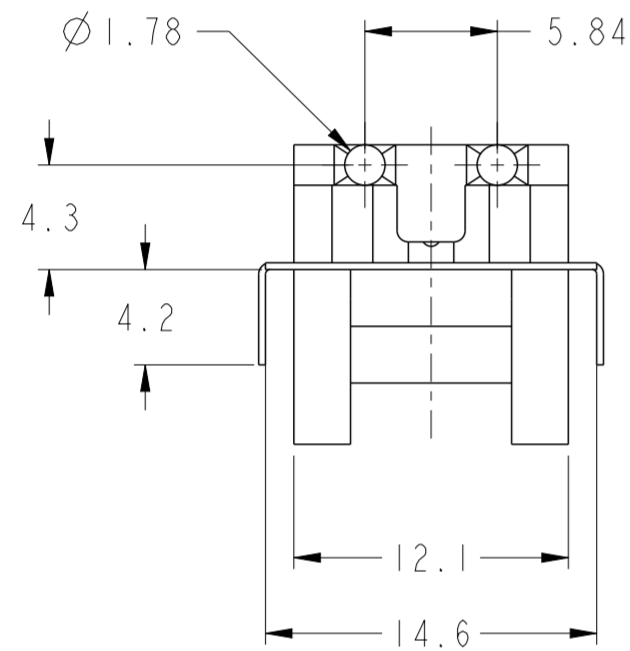
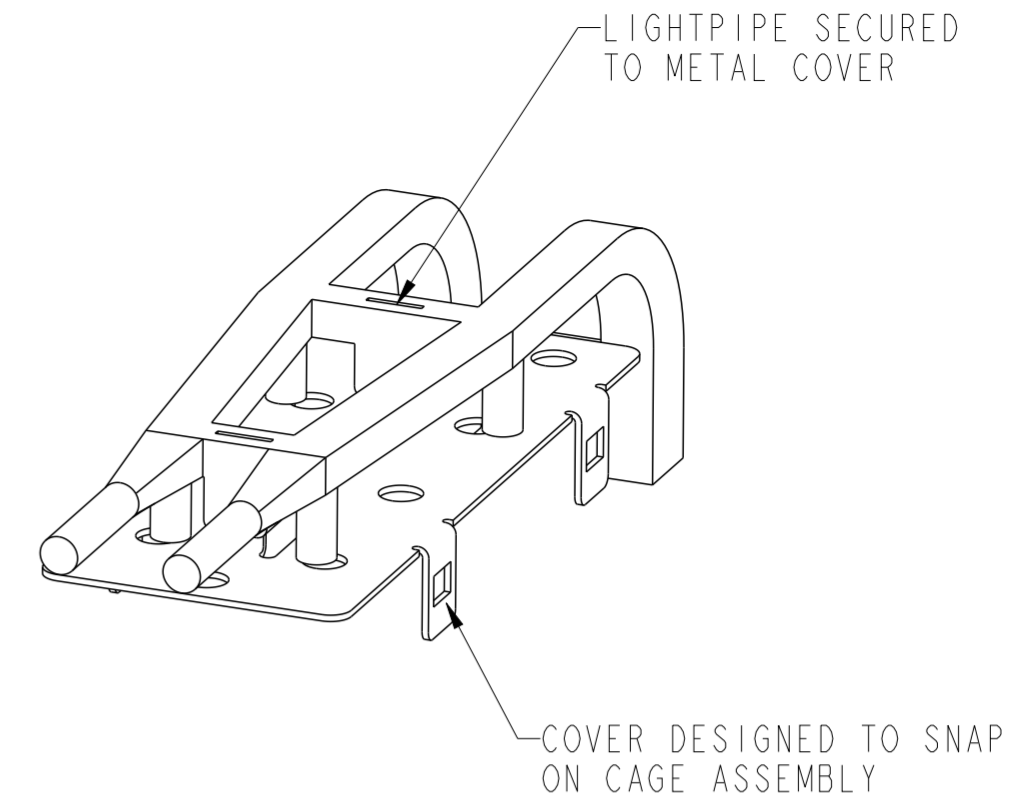
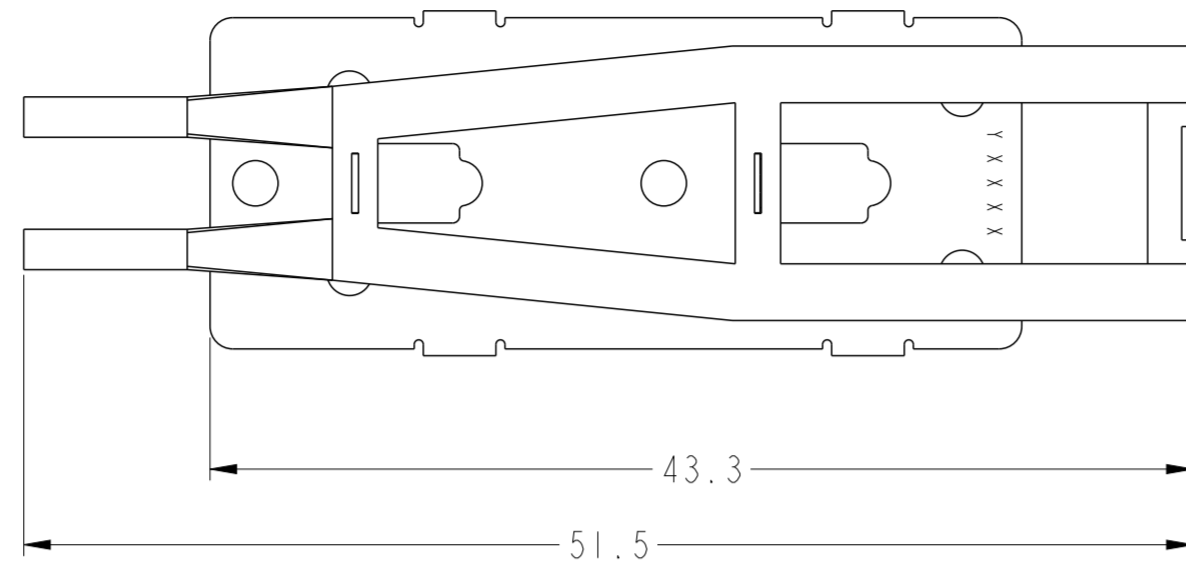
Tel: +86-755-8981 8866 Fax: +86-755-8427 6832

Email & Skype: info@chipsmall.com Web: www.chipsmall.com

Address: A1208, Overseas Decoration Building, #122 Zhenhua RD., Futian, Shenzhen, China

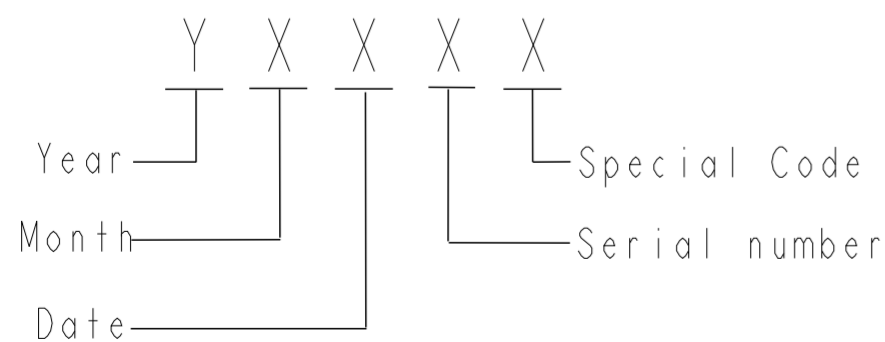


PRODUCT NUMBER	PACKAGING
10099106-011LF	TRAY



NOTES:

- MATERIAL:
COVER: STAINLESS STEEL
LIGHTPIPE: POLYCARBONATE, UL94-V0
- LIGHT PIPE KIT IS TO BE USED WITH SFP OR SFP+ 1X4 CAGE WITH LIGHT PIPE HOOKS.
- CAGE IS TO BE PRESSED TO THE PCB PRIOR TO ASSEMBLING THE LIGHT PIPE KIT ASSEMBLY.
- PRODUCT SPECIFICATION: GS-12-616
- APPLICATION SPECIFICATION: GS-20-125
- PRODUCT MEETS EUROPEAN UNION DIRECTIVES AND OTHER COUNTRY REGULATIONS AS DESCRIBED IN GS-22-008.



DATE CODE DESCRIPTION

spec ref	-	dr	Andy Zhang	2010/11/03	projection	MM	size	A2	scale	3:1
tolerance std	ASME Y14.5	eng	Andy Zhang	2012/01/03			ecn no	ELX-N-009120-1		
		chr	-	rel level			Released			
surface	✓	appr	Rick Bian	2012/01/04	product family	-	rel level	Released		
ASME Y14.5	angular	0°	±3°	www.fci.com	cat. no.	-	Product - Customer	Drw	sheet 1 of 1	

PDS: Rev :B

STATUS:Released

Printed: Jan 04, 2012