



Chipsmall Limited consists of a professional team with an average of over 10 year of expertise in the distribution of electronic components. Based in Hongkong, we have already established firm and mutual-benefit business relationships with customers from,Europe,America and south Asia,supplying obsolete and hard-to-find components to meet their specific needs.

With the principle of “Quality Parts,Customers Priority,Honest Operation,and Considerate Service”,our business mainly focus on the distribution of electronic components. Line cards we deal with include Microchip,ALPS,ROHM,Xilinx,Pulse,ON,Everlight and Freescale. Main products comprise IC,Modules,Potentiometer,IC Socket,Relay,Connector.Our parts cover such applications as commercial,industrial, and automotives areas.

We are looking forward to setting up business relationship with you and hope to provide you with the best service and solution. Let us make a better world for our industry!



Contact us

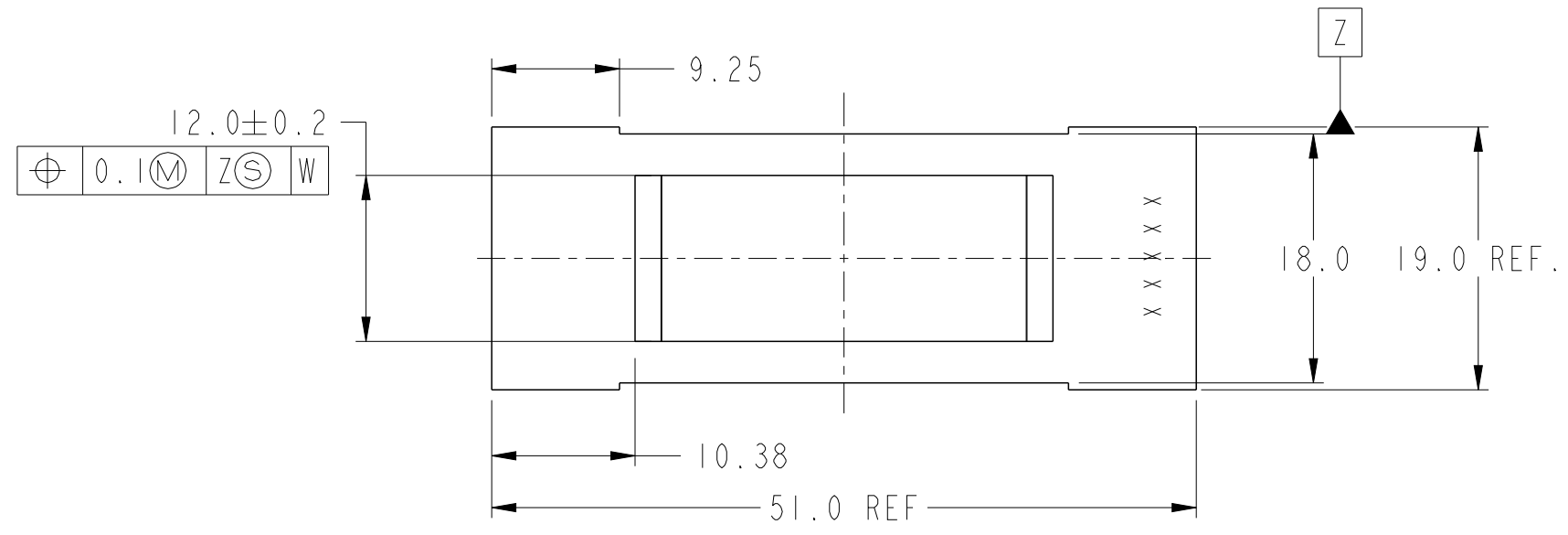
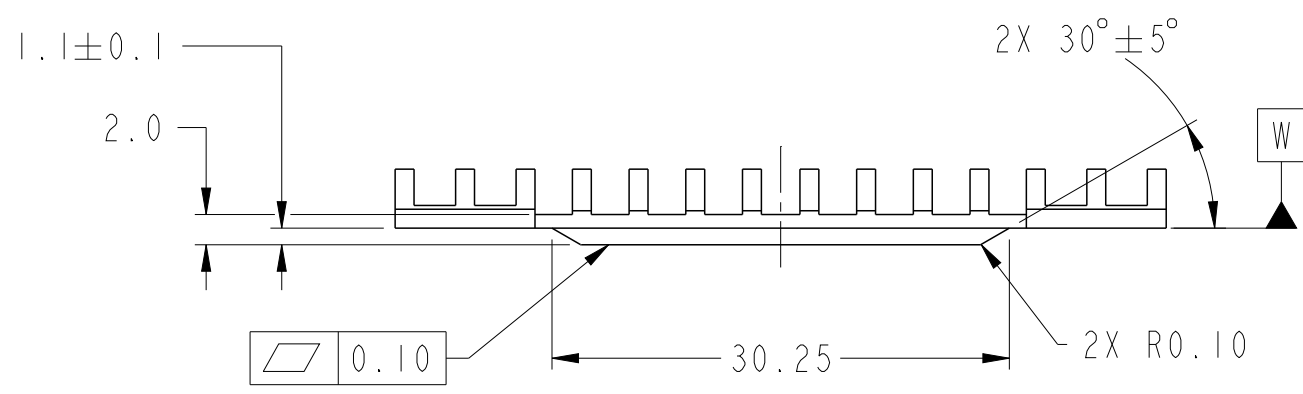
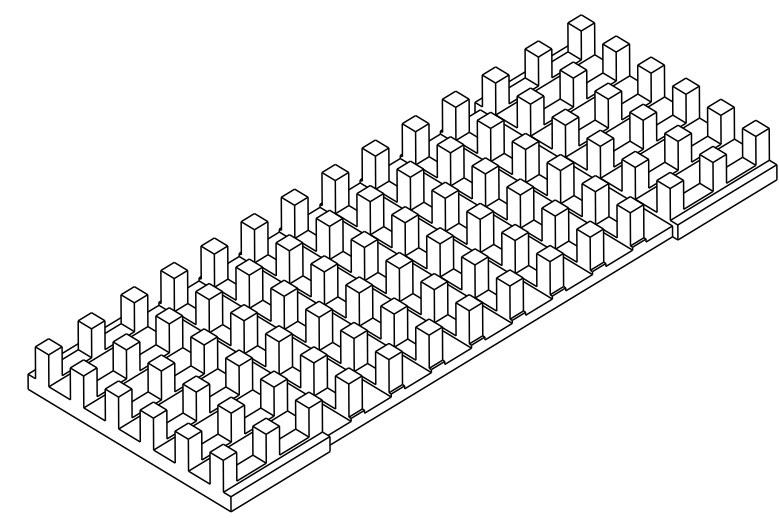
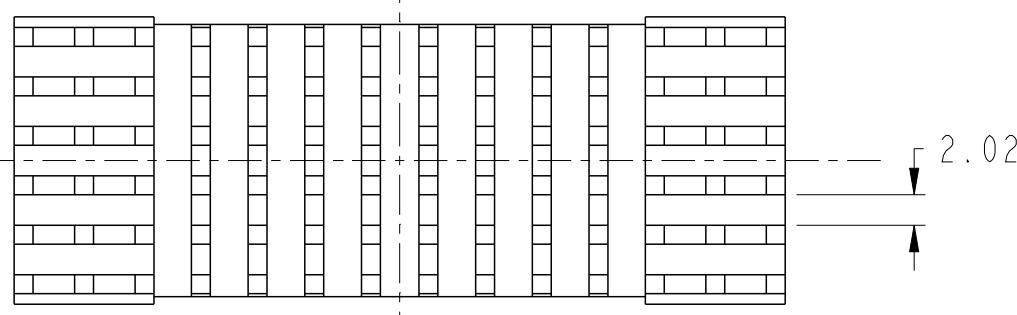
Tel: +86-755-8981 8866 Fax: +86-755-8427 6832

Email & Skype: info@chipsmall.com Web: www.chipsmall.com

Address: A1208, Overseas Decoration Building, #122 Zhenhua RD., Futian, Shenzhen, China

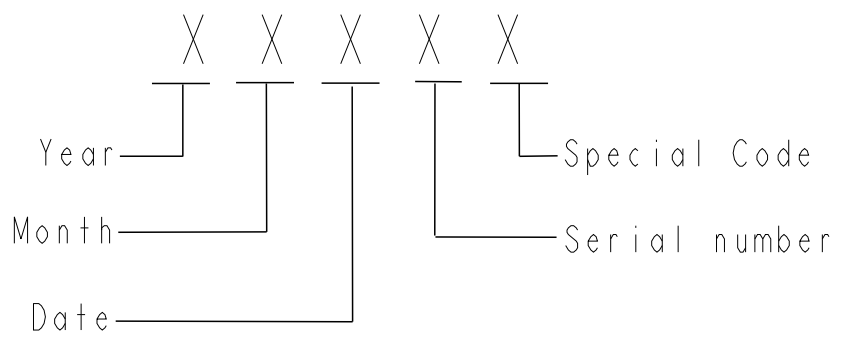


PART NUMBER	DIM L
10099115-002LF	5.00 mm



NOTES:

1. MATERIAL: ALUMINIUM ALLOY.
2. PLATING: 120u" MIN. NICKEL PLATING OVERALL.
3. PRODUCT SPECIFICATION: GS-12-622
4. APPLICATION SPECIFICATION: GS-20-126
5. PRODUCT MEETS EUROPEAN UNION DIRECTIVES AND OTHER COUNTRY REGULATIONS AS DESCRIBED IN GS-22-008.
6. DATE CODE BE PRINTED ON PROPER SURFACE.



DATE CODE DESCRIPTION

spec ref	-	dr	Andy Zhang	2010/11/03
tolerance std	ASME Y14.5	eng	Jason Gu	2014/04/22
	TOLERANCES UNLESS OTHERWISE SPECIFIED	chr	-	-
		appr	Delhy Liu	2014/04/22
surface	linear	0.X	±0.50	
		0.XX	±0.20	
		0.XXX	±-	
	angular	0°	±3°	

projection	mm	size	A3	scale	2:1
product family	QSFP	ecn no	ELX-N-17544-1		
rel level	Released				
title	QSFP HEAT SINK		dwg no	10099115	rev
www.fci.com	cat. no.	-	Product - Customer Drw	sheet 1 of 1	



Copyright FCI.