



Chipsmall Limited consists of a professional team with an average of over 10 year of expertise in the distribution of electronic components. Based in Hongkong, we have already established firm and mutual-benefit business relationships with customers from,Europe,America and south Asia,supplying obsolete and hard-to-find components to meet their specific needs.

With the principle of "Quality Parts,Customers Priority,Honest Operation,and Considerate Service",our business mainly focus on the distribution of electronic components. Line cards we deal with include Microchip,ALPS,ROHM,Xilinx,Pulse,ON,Everlight and Freescale. Main products comprise IC,Modules,Potentiometer,IC Socket,Relay,Connector.Our parts cover such applications as commercial,industrial, and automotives areas.

We are looking forward to setting up business relationship with you and hope to provide you with the best service and solution. Let us make a better world for our industry!



Contact us

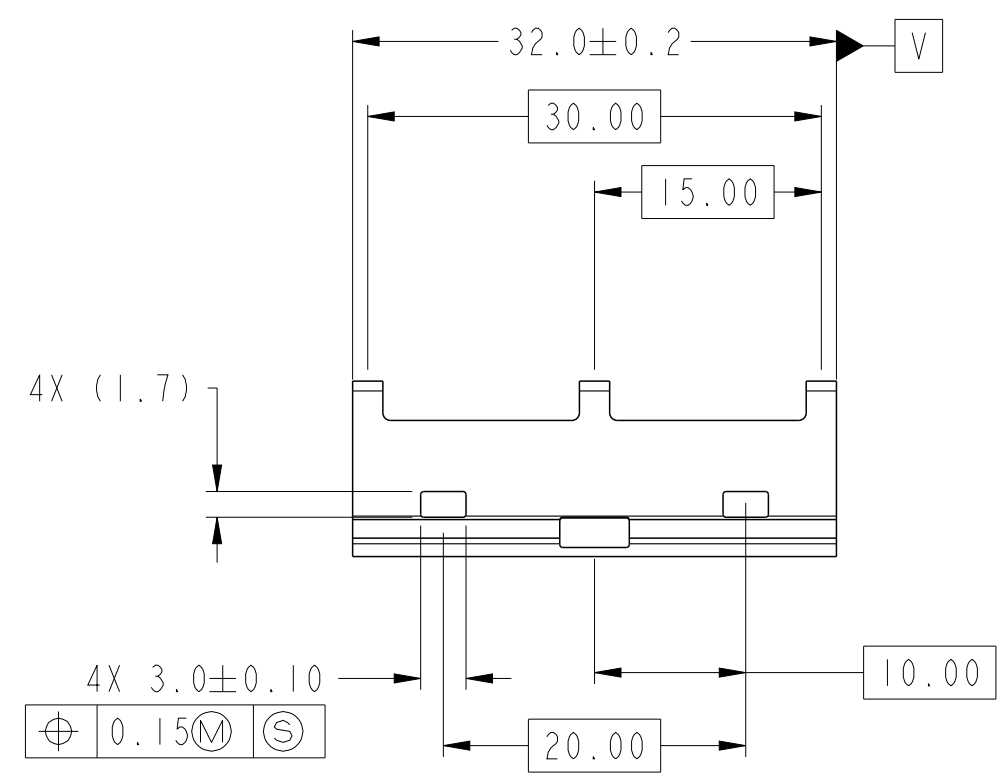
Tel: +86-755-8981 8866 Fax: +86-755-8427 6832

Email & Skype: info@chipsmall.com Web: www.chipsmall.com

Address: A1208, Overseas Decoration Building, #122 Zhenhua RD., Futian, Shenzhen, China

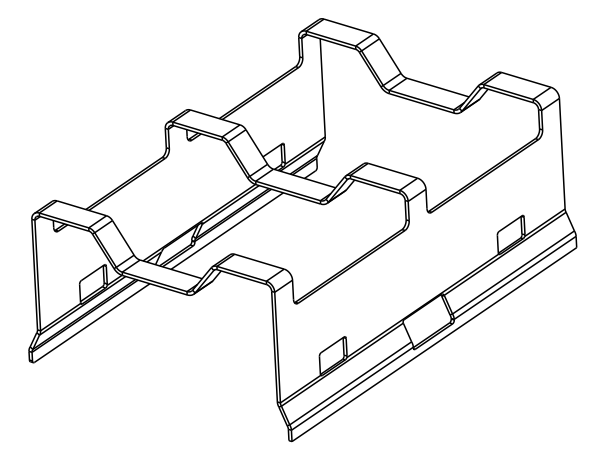
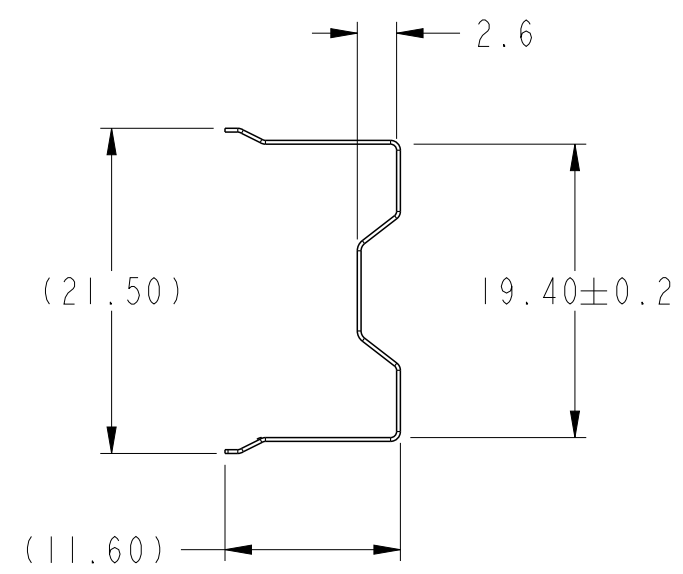
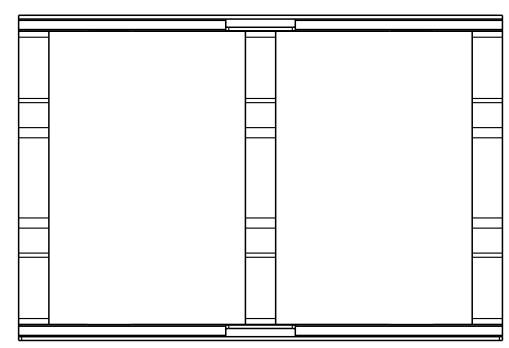


PART NUMBER
10099116-001LF



NOTES:

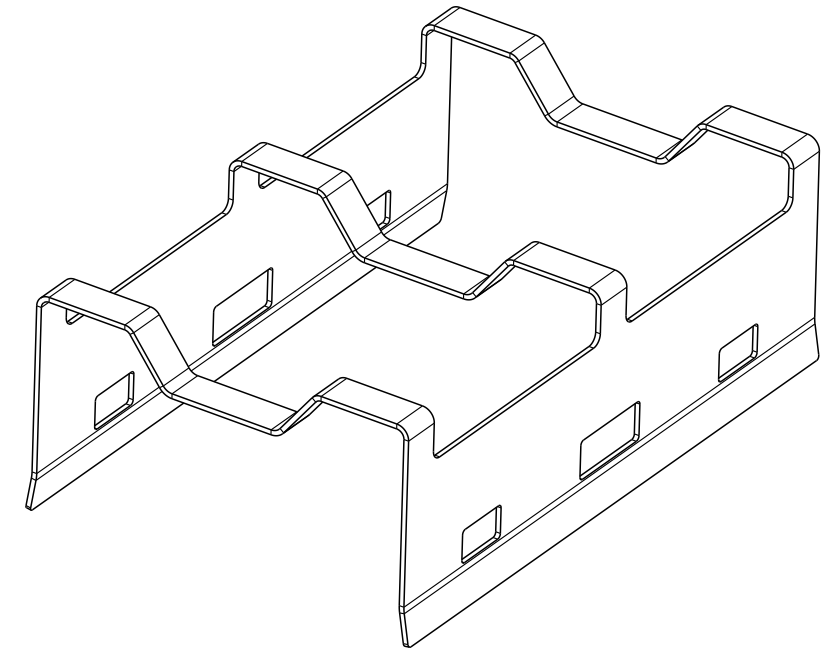
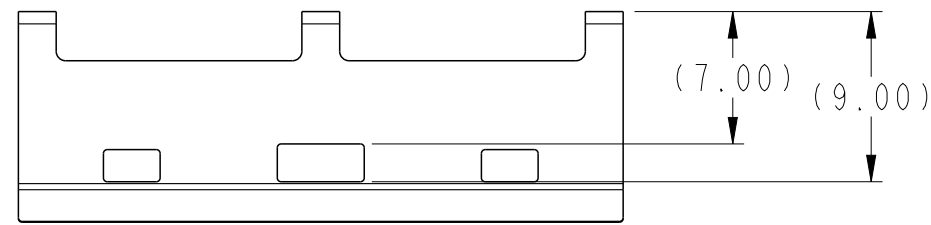
1. MATERIAL: COPPER ALLOY, NICKEL PLATED
2. PRODUCT SPECIFICATION: GS-12-622
3. APPLICATION SPECIFICATION: GS-20-126
4. PRODUCT MEETS EUROPEAN UNION DIRECTIVES AND OTHER COUNTRY REGULATIONS AS DESCRIBED IN GS-22-008.



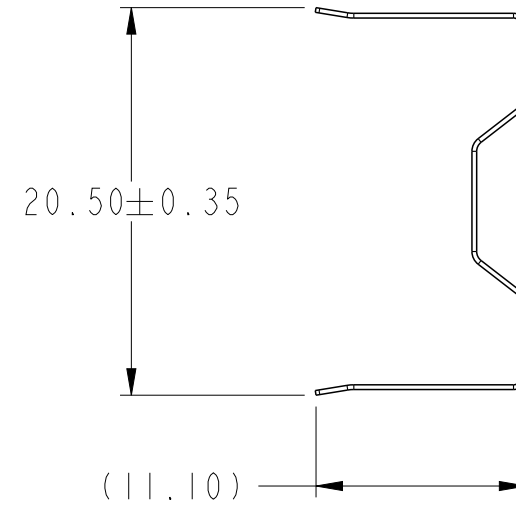
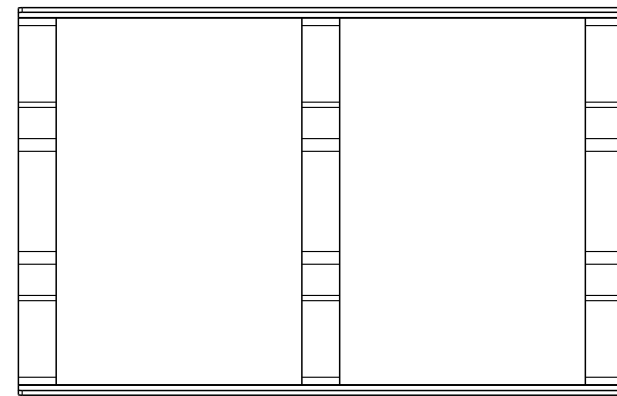
Copyright FCI.
FCI

spec ref	-	dr	Andy Zhang	2010/11/03	projection	mm	size	A3	scale	2:1		
tolerance std	ASME Y14.5	eng	Art Lin	2015/05/22			ecn no	ELX-DG-20151-1				
	TOLERANCES UNLESS OTHERWISE SPECIFIED	chr	-	rel level			Released					
surface	✓	appr	Pei-Ming Zheng	2015/05/24	product family	QSFP	rel level	Released				
	ASME Y14.5	linear	0.X	±0.20		QSFP HEATSINK CLIP QSFP CAGE ASSEMBLY	dwg no	10099116		rev	B	
		linear	0.XX	±0.10			cat. no.	-	Product - Customer Drw	sheet 1 of 2		
		angular	0°	±°								

PART NUMBER
10099116-002LF



SCALE 3:1



THE OTHER DIMENSIONS ARE SAME TO 10099116-001LF



Copyright FCI.

spec ref	-	dr	Andy Zhang	2010/11/03	projection	mm	size	A3	scale	2:1
tolerance std	ASME Y14.5	eng	Art Lin	2015/05/22			ecn no	ELX-DG-20151-1		
	TOLERANCES UNLESS OTHERWISE SPECIFIED	chr	-	-			rel level	Released		
surface	✓	appr	Pei-Ming Zheng	2015/05/24	product family	QSFP	rel level	Released		
	ASME Y14.5	linear	0.X	±0.20		QSFP HEATSINK CLIP QSFP CAGE ASSEMBLY	dwg no	10099116		
			0.XX	±0.10			rev	B		
		angular	0°	±°			cat. no.	-		
		www.fci.com		Product - Customer Drw		sheet 2 of 2				