



Chipsmall Limited consists of a professional team with an average of over 10 year of expertise in the distribution of electronic components. Based in Hongkong, we have already established firm and mutual-benefit business relationships with customers from,Europe,America and south Asia,supplying obsolete and hard-to-find components to meet their specific needs.

With the principle of “Quality Parts,Customers Priority,Honest Operation,and Considerate Service”,our business mainly focus on the distribution of electronic components. Line cards we deal with include Microchip,ALPS,ROHM,Xilinx,Pulse,ON,Everlight and Freescale. Main products comprise IC,Modules,Potentiometer,IC Socket,Relay,Connector.Our parts cover such applications as commercial,industrial, and automotives areas.

We are looking forward to setting up business relationship with you and hope to provide you with the best service and solution. Let us make a better world for our industry!



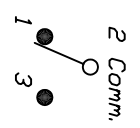
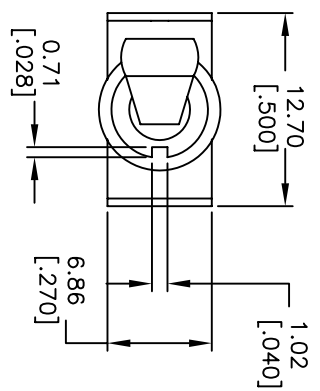
## Contact us

Tel: +86-755-8981 8866 Fax: +86-755-8427 6832

Email & Skype: info@chipsmall.com Web: www.chipsmall.com

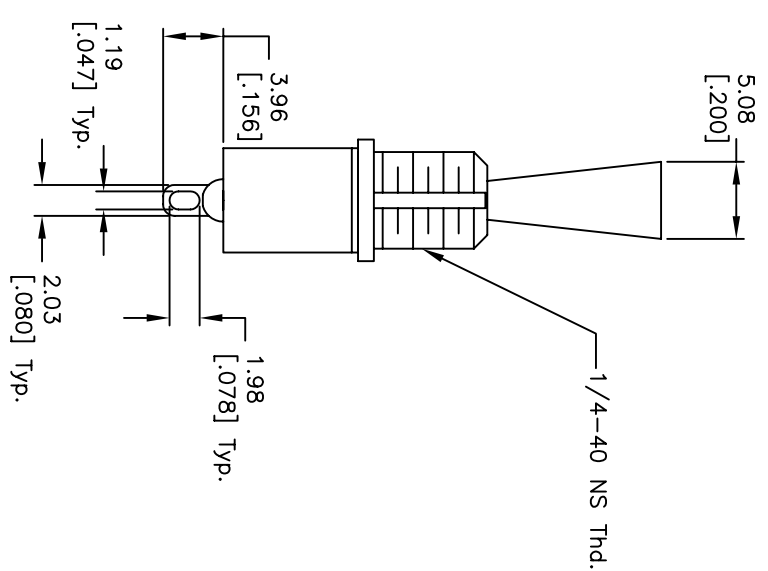
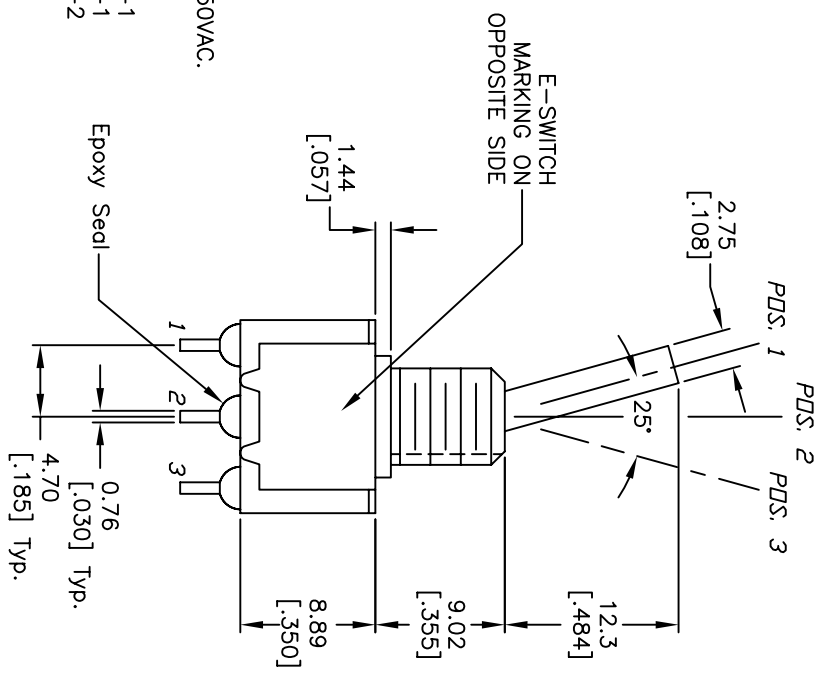
Address: A1208, Overseas Decoration Building, #122 Zhenhua RD., Futian, Shenzhen, China





CIRCUIT: SPDT  
CONTACT CONFIGURATION

SWITCH FUNCTION		
PDS. 1	PDS. 2	PDS. 3
DN	NDNE	DN
2-3	N/A	2-1



- NOTES:
1. ALL DIMENSIONS IN MM [INCH]
  2. GENERAL TOLERANCE: 0.0=±0.4  
0.00=±0.25
  3. TERM. NOS. FOR REF. ONLY
  4. RATING: 5A @120VAC or 28VDC; 2A @250VAC.
  5. 2002/95/EC (ROHS) COMPLIANT
  6. HARDWARE TO BE SUPPLIED BULK:  
T100011-LOCK WASHER QTY-1  
T100015-LOCK RING QTY-1  
T100000-HEX NUT QTY-2

REV.	ECN No.	DESCRIPTION	DATE	CHKD	CT
D	16058	EDIT SWITCH FUNCTION TABLE	5/30/06		PH
C	15876	EDIT ACTUATOR HEIGHT	3/17/06		PH
B	15537	DIM FROM 1.02 TO 1.44	11/16/05		PH
A	15503	RELEASED	11/7/05		PH
THE INFORMATION CONTAINED IN THIS DOCUMENT IS PROPRIETARY TO E-SWITCH AND IS NOT TO BE COPIED OR TRANSFERRED					CHKD

TITLE		SCALE	DATE	DR	DWG	REV
100 SP-1 T6 B11 M1 Q EH		2:1	11/7/05	PH	ST111021	D

