



Chipsmall Limited consists of a professional team with an average of over 10 year of expertise in the distribution of electronic components. Based in Hongkong, we have already established firm and mutual-benefit business relationships with customers from,Europe,America and south Asia,supplying obsolete and hard-to-find components to meet their specific needs.

With the principle of "Quality Parts,Customers Priority,Honest Operation,and Considerate Service",our business mainly focus on the distribution of electronic components. Line cards we deal with include Microchip,ALPS,ROHM,Xilinx,Pulse,ON,Everlight and Freescale. Main products comprise IC,Modules,Potentiometer,IC Socket,Relay,Connector.Our parts cover such applications as commercial,industrial, and automotives areas.

We are looking forward to setting up business relationship with you and hope to provide you with the best service and solution. Let us make a better world for our industry!



Contact us

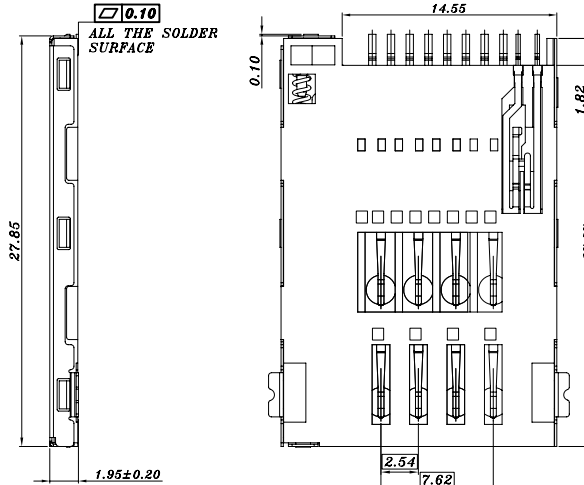
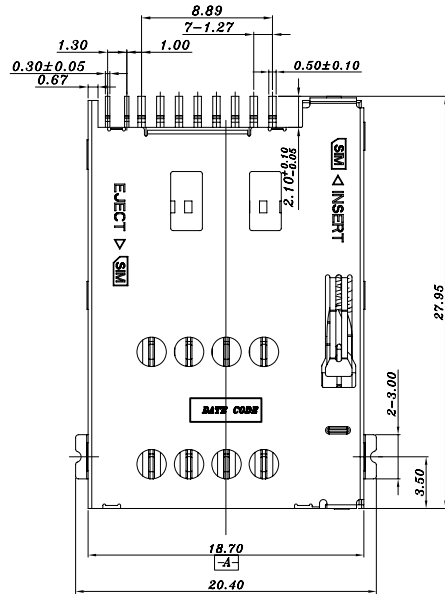
Tel: +86-755-8981 8866 Fax: +86-755-8427 6832

Email & Skype: info@chipsmall.com Web: www.chipsmall.com

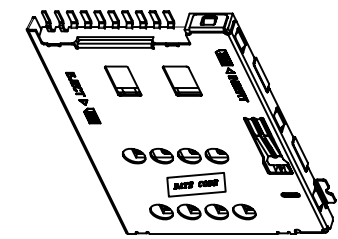
Address: A1208, Overseas Decoration Building, #122 Zhenhua RD., Futian, Shenzhen, China



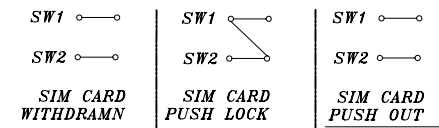
REV.	ECN.NO.	MODIFY.CONTENT	DATE
C	ES.D0704.094	Cancel LOGO	04.14/2007
D	ES.D0902.039	Revise Tolerance	02.20/2008
E	ES.D0906.030	Add date code	06.04/2009



SIM pin assignment	
PIN#	Name
C1	VCC
C2	RST
C3	CLK
C4	Reserved
C5	GND
C6	VPP
C7	I/O
C8	Reserved



CIRCUIT:

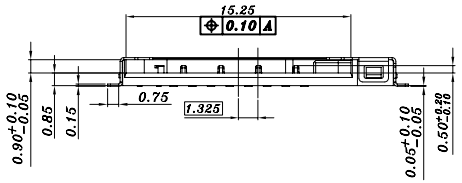


NOTES:

1.SPECIFICATIONS
 INSULATION RESISTANCE: 500M min AT DC 500V DC
 WITHSTANDING VOLTAGE: 260V AC rms FOR 1 MINUTE
 CONTACT RESISTANCE: 100mΩ max. AT 10mA/20mV max
 CURRENT RATING: 0.5A
 VOLTAGE RATING: 5.0 vrms
 OPERATING TEMP RANGE: -55°C+85°C
 DURABILITY: 5000 MATING CYCLES.

2.MATERIAL:
 INSULATOR: H-TEMPERATURE PLASTIC, UL 94V-0,
 COLOR: BLACK
 TERMINAL: COPPER ALLOY, T=0.15mm
 SWITCH: COPPER ALLOY, T=0.10mm
 SHELL: STAINLESS STEEL, T=0.16mm

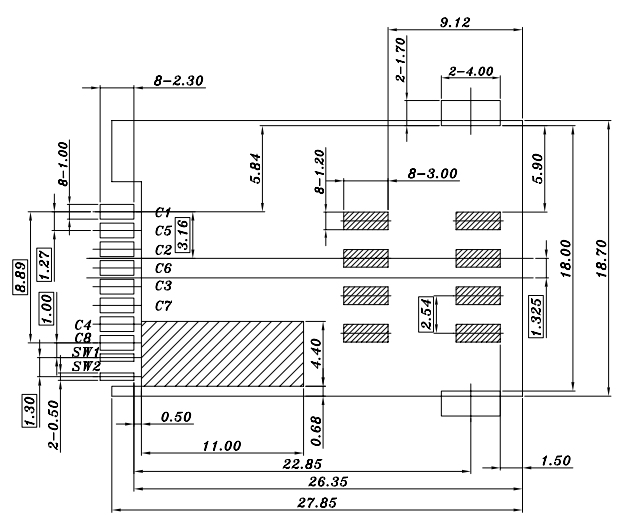
3.FINISH:
 TERMINAL: 50u" min NICKEL UNDERPLATED ON ALLOY, GOLD PLATING ON CONTACT AREA, 120u" min TIN ON SOLDER TAIL.
 SHELL: 50u" NICKEL UNDERPLATED ON ALLOY, GOLD FLASH ON SOLDER LATCH



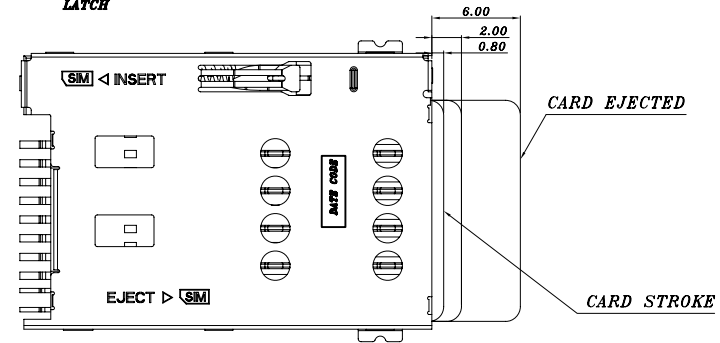
Date code No.: *****
 date code: see code table
 month code: see code table
 year code: see code table

Date code table:

date	1	2	3	4	5	6	7	8	9	10	11	12	27	28	29	30	31
code	01	02	03	04	05	06	07	08	09	10	11	12	27	28	29	30	31
month	1	2	3	4	5	6	7	8	9	10	11	12					
code	01	02	03	04	05	06	07	08	09	10	11	12					
year	05	06	07	08	09	10	11	12	13	14	15						
code	05	06	07	08	09	10	11	12	13	14	15						



RECOMMENDED PCB LAYOUT
 ALL TOLERANCE ARE ±0.05MM
 NOTE: WIRING PATTERN PROHIBITED AREA



- 10100271*****
- 2 Tape & reel
 - 78 Plating Au 1u" on contact area, Tin 120u" Min on solder tail.
 - 79 Plating Au 3u" on contact area, Tin 120u" Min on solder tail.
 - 80 Plating Au 5u" on contact area, Tin 120u" Min on solder tail.
 - 81 Plating Au 10u" on contact area, Tin 120u" Min on solder tail.
 - 82 Plating Au 15u" on contact area, Tin 120u" Min on solder tail.
 - 83 Plating Au 30u" on contact area, Tin 120u" Min on solder tail.

GENERAL TOLERANCE	TOLERANCE	FILE.NO.	10100271	PART.NO.	10100271***	DRAWN	Amy	MATERIAL	SCALE	N/A	
X.±0.50	x. ± 5°	REV.	E	TITLE	SIM CARD READER 8PIN (PUSH/PUSH) WITH SWITCH	CHECKED	Jane	DATE	08.07/2009	UNIT	mm
.X±0.38	.x ± 2°	SIZE		SHEET	1/1	APPROVED	Henry	Amphenol Shouhmin Industry			
.XX±0.25	.xx ± 1°	A4									