



Chipsmall Limited consists of a professional team with an average of over 10 year of expertise in the distribution of electronic components. Based in Hongkong, we have already established firm and mutual-benefit business relationships with customers from,Europe,America and south Asia,supplying obsolete and hard-to-find components to meet their specific needs.

With the principle of "Quality Parts,Customers Priority,Honest Operation,and Considerate Service",our business mainly focus on the distribution of electronic components. Line cards we deal with include Microchip,ALPS,ROHM,Xilinx,Pulse,ON,Everlight and Freescale. Main products comprise IC,Modules,Potentiometer,IC Socket,Relay,Connector.Our parts cover such applications as commercial,industrial, and automotives areas.

We are looking forward to setting up business relationship with you and hope to provide you with the best service and solution. Let us make a better world for our industry!



Contact us

Tel: +86-755-8981 8866 Fax: +86-755-8427 6832

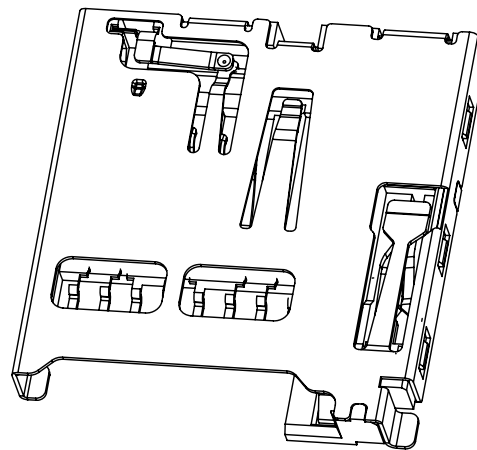
Email & Skype: info@chipsmall.com Web: www.chipsmall.com

Address: A1208, Overseas Decoration Building, #122 Zhenhua RD., Futian, Shenzhen, China



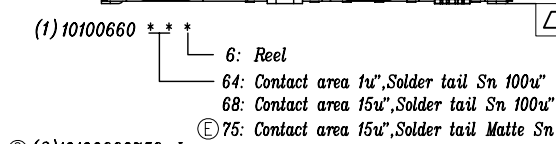
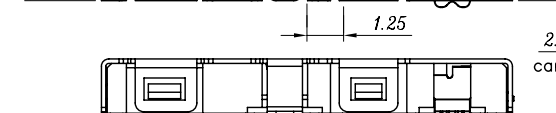
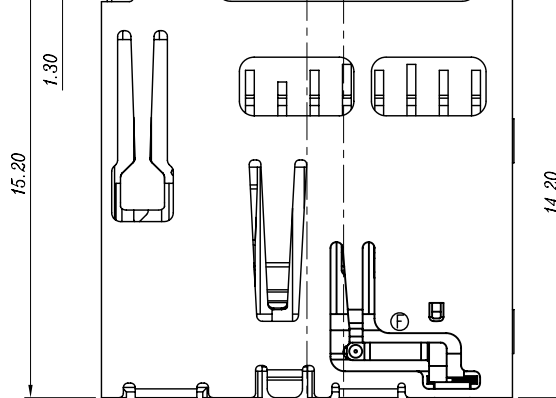
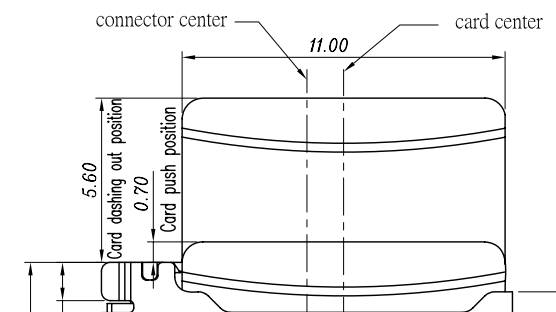
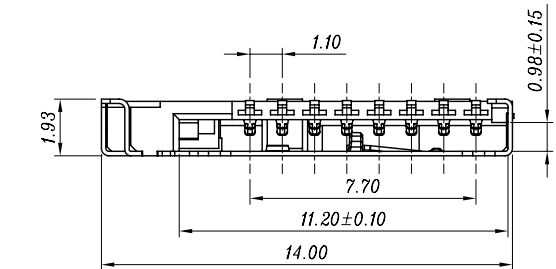
MicroSD Definition

PIN NO.	FUNCTION
1	DATA LINE(BIT 2)
2	CARD DETECT/DATA LINE(BIT 3)
3	COMMAND RESPONSE
4	SUPPLY VOLTAGE
5	CLOCK
6	SUPPLY VOLTAGE GROUND
7	DATA LINE(BIT 0)
8	DATA LINE(BIT 1)

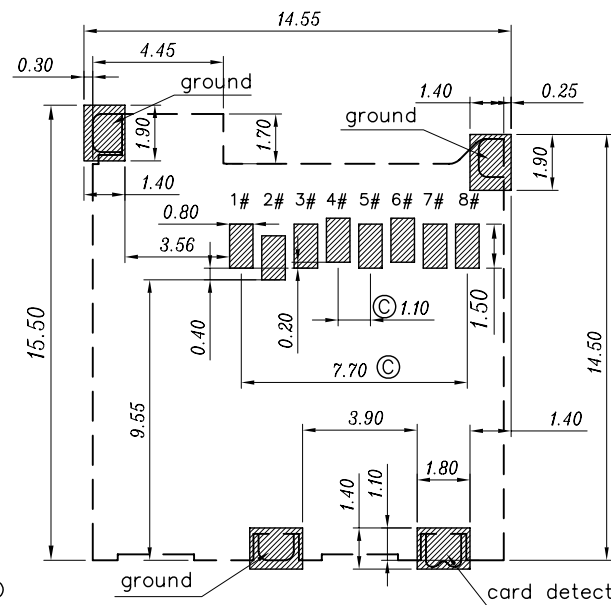
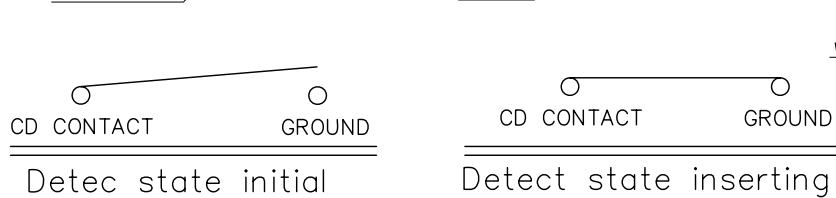
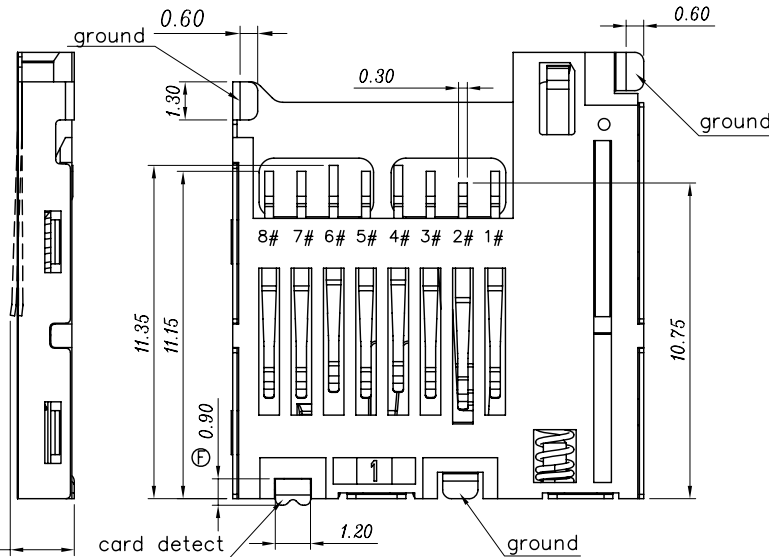


REV.	ECN.NO.	MODIFY.CONTENT	DATE
E	ECN10101199	Add part No. for Matte Tin (E)	10/22/2010
F	ECN12050204	Change ground contact structure	9/19/2012
G	ECN12100246	Add part No. for (C)	10/10/2012

- Notes:
- All Dimensions are in Millimeters.
 - Material:
 - Housing:LCP Color:black
 - Contact:Phosphor Bronze.
 - Tin 160u" at Solder Tail,
 - Selected Gold on Contact Area Plating.
 - Specification:
 - Electrical Characteristics:
 - Contact Resistance: 100mΩ Max.
 - Dielectric Withstanding Voltage: 500VAC Max With i Minute
 - Insulation Resistance:1000 MΩ Min.
 - Current Rating: 0.5A AC/DC Max.
 - Mechanical Characteristics:
 - Mating Force: 30N Max.
 - Unmating Force : 1~30N.
 - Contact Retation Force: 100g Min. Per Pin.
 - Operating Temperature: -25°C~+85°C
 - Storage Temperature:-40°C~+85°C
 - 本产品的环境物质含量符合欧盟RoHS指令, ASMI的产品与材料环境物质限制管制规范(WI-QA-002(1)/(2))最新版本及最终客户要求。



(1) 10100660 ***
 6: Reel
 64: Contact area 1u", Solder tail Sn 100u"
 68: Contact area 15u", Solder tail Sn 100u"
 (2) 10100660756-1
 E 75: Contact area 15u", Solder tail Matte Sn 100u"
 Customer Inventec 专用料号



RECOMMENDED PCB LAYOUT
 (ALL TOLERANCE IS 0.05)
 STEEL BOARD T=0.12MM(MIN)

GENERAL	TOLERANCE	FILE.NO.	10100660	PART.NO.	10100660***	DRAWN	Jimmy.Deng	MATERIAL	SCALE	4:1	
X.±0.50	x. ± 5°	REV.	G	TITLE	microSD push push connector(9Pin)-II	CHECKED		DATE	10/10/2012	UNIT	MM
.X±0.38	.x ± 2°	SIZE		SHEET	1 OF 1	APPROVED		Amphenol Shouh Min Industry			
.XX±0.25	.xx ± 1°	A4									