



Chipsmall Limited consists of a professional team with an average of over 10 year of expertise in the distribution of electronic components. Based in Hongkong, we have already established firm and mutual-benefit business relationships with customers from,Europe,America and south Asia,supplying obsolete and hard-to-find components to meet their specific needs.

With the principle of “Quality Parts,Customers Priority,Honest Operation,and Considerate Service”,our business mainly focus on the distribution of electronic components. Line cards we deal with include Microchip,ALPS,ROHM,Xilinx,Pulse,ON,Everlight and Freescale. Main products comprise IC,Modules,Potentiometer,IC Socket,Relay,Connector.Our parts cover such applications as commercial,industrial, and automotives areas.

We are looking forward to setting up business relationship with you and hope to provide you with the best service and solution. Let us make a better world for our industry!



Contact us

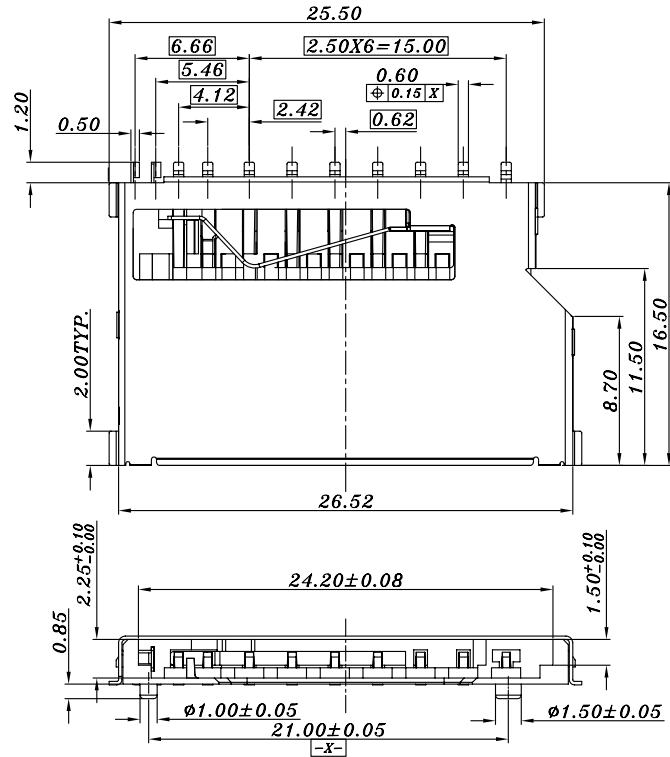
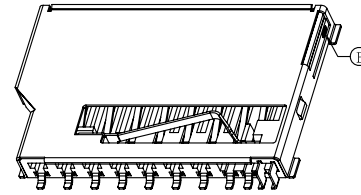
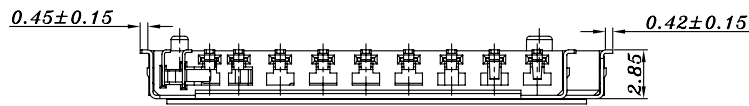
Tel: +86-755-8981 8866 Fax: +86-755-8427 6832

Email & Skype: info@chipsmall.com Web: www.chipsmall.com

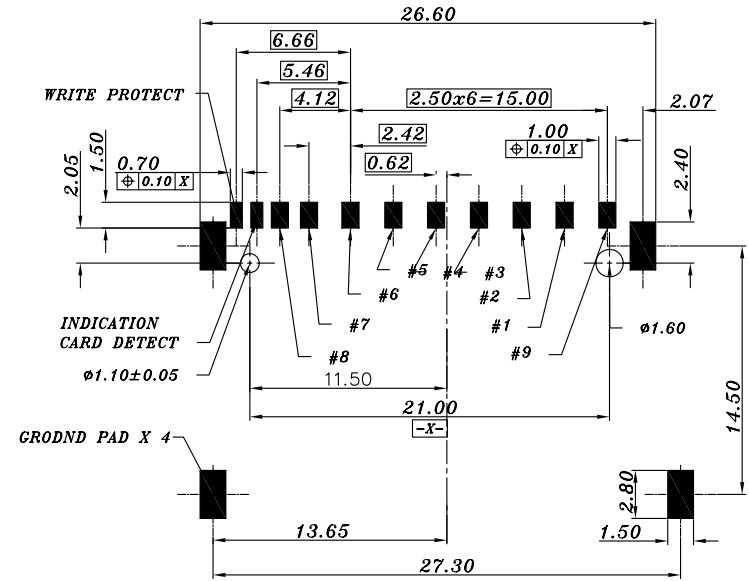
Address: A1208, Overseas Decoration Building, #122 Zhenhua RD., Futian, Shenzhen, China



REV.	ECN.NO.	MODIFY.CONTENT	DATE
1	S0811093	Initial release edition	11.28/08
A	D0906.020	Formal release edition	06.03/09
B	ES.D0909.053	側面彈片增加凸包 ㊸	09/23'09



- Notes:
- All Dimensions are in Millimeters.
 - Operation voltage: 3.3 VAC max.
 - Current rating : 0.5 Amps max.
 - Contact resistance: 80 mohms max.
 - Insulation resistance: 1000M ohms min. 500 VDC
 - Dielectric withstanding voltage: 500 VAC / 1minute
 - Operating Temperature: -20°C to +60°C
 - Storage Temperature: -40°C to +70°C
 - Material see table.
 - Total Mating Force : 40N (MAX) at 25 mm/minute
 - Total Unmating Force: SD:1N /MMC:2N (MIN) at 25 mm/minute
 - Single Pin Retation Force: 1.47N(MIN) at 25 mm/minute
 - Major Dimension: ▼

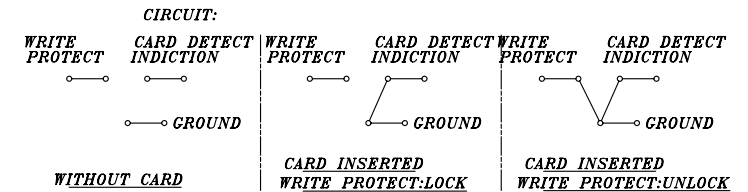


ALL TOLERANCE IS ±0.05mm
RECOMMENDED P.C.B LAYOUT (TOP VIEW)

10100708**

- 64 Gold 1u"on contact area,plated tin 100u"min on solder area
- 65 Gold 3u"on contact area,plated tin 100u"min on solder area
- 66 Gold 5u"on contact area,plated tin 100u"min on solder area
- 67 Gold 10u"on contact area,plated tin 100u"min on solder area
- 68 Gold 15u"on contact area,plated tin 100u"min on solder area

CIRCUIT	FUNCTION	SD	MMC
PIN 1	SD-CD/DAT3 MMC-RSV	P1	P1
PIN 2	SD-CMD MMC-CMD	P2	P2
PIN 3	SD-VSS1 MMC-VSS1	P3	P3
PIN 4	SD-VDD MMC-VDD	P4	P4
PIN 5	SD-CLK MMC-CLK	P5	P5
PIN 6	SD-VSS2 MMC-VSS2	P6	P6
PIN 7	SD-DAT0 MMC-DAT	P7	P7
PIN 8	DAT1	P8	
PIN 9	DAT2	P9	



GENERAL TOLERANCE	FILE.NO.	10100708	PART.NO.	10100708**	DRAWN	TANG	MATERIAL	SCALE	N/A
X.±0.50	REV.	B	TITLE	SD+MMC Short Nature	CHECKED	JANE.YU	DATE	09.23/2009	mm
.X±0.38	SIZE		SHEET	1 OF 1	APPROVED	SM.LIANG	Amphenol Shouhmin Industry		
.XX±0.25	A4								