



Chipsmall Limited consists of a professional team with an average of over 10 year of expertise in the distribution of electronic components. Based in Hongkong, we have already established firm and mutual-benefit business relationships with customers from,Europe,America and south Asia,supplying obsolete and hard-to-find components to meet their specific needs.

With the principle of "Quality Parts,Customers Priority,Honest Operation,and Considerate Service",our business mainly focus on the distribution of electronic components. Line cards we deal with include Microchip,ALPS,ROHM,Xilinx,Pulse,ON,Everlight and Freescale. Main products comprise IC,Modules,Potentiometer,IC Socket,Relay,Connector.Our parts cover such applications as commercial,industrial, and automotives areas.

We are looking forward to setting up business relationship with you and hope to provide you with the best service and solution. Let us make a better world for our industry!



## Contact us

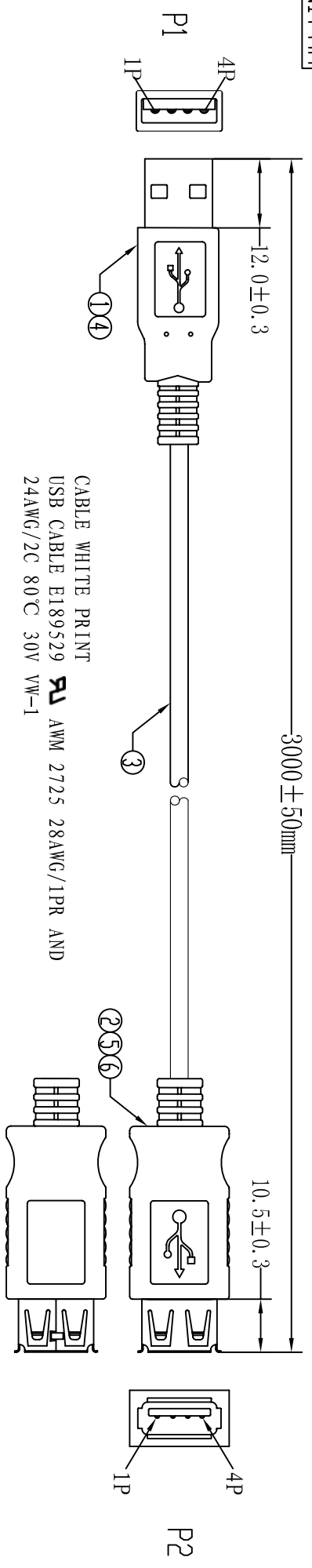
Tel: +86-755-8981 8866 Fax: +86-755-8427 6832

Email & Skype: info@chipsmall.com Web: www.chipsmall.com

Address: A1208, Overseas Decoration Building, #122 Zhenhua RD., Futian, Shenzhen, China

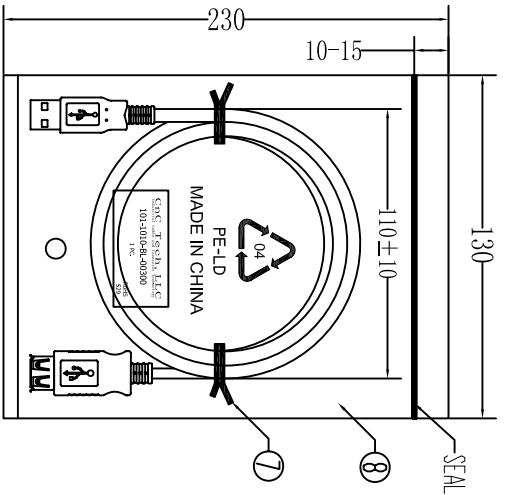
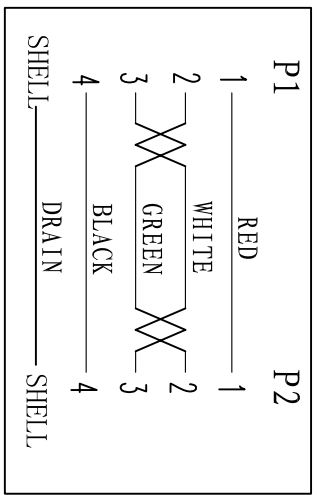


UNIT:mm



CABLE WHITE PRINT  
 USB CABLE E189529  
 24AWG/2C 80°C 30V VW-1  
 AWM 2725 28AWG/1PR AND

PIN ASSIGNMENT:



1PC/PE BAG

**Electrical test:**  
 1. 100% short, open, miswire test  
 2. Conduct resistance: 2 Ohm(max)  
 3. Insulation resistance: 10Mohm(min)  
 4. dielectric test: DC 300V

⑨	PE BAG	1/10	CLEAR SIZE: 280*330*0.05mm PRINT BLACK"MADE IN CHINA"+ "10PCS".
⑧	PE BAG	1	CLEAR SIZE: 130*230*0.05mm PRINT BLACK"MADE IN CHINA"+ "1PC".
⑦	TIE	2	BLACK L=100mm
⑥	IN JACKET	3g	CLEAR LDPE (MOULD NO: NM-027)
⑤	OUT JACKET	7g	BLACK PVC-40P (MOULD NO: MW-83)
④	OUT JACKET	6g	BLACK PVC-40P (MOULD NO: MW-40)
③	CABLE	1	BLACK USB1. 1 UI.2725 28#/1P+24#/2C+A+B3 OD: 4.7mm L=3000±10mm
②	CONN	1	USB A FEMALE SHELL: NICKEL PIN G/F SHORT TYPE INSULATOR COLOR: WHITE
①	CONN	1set	USB A MALE SHELL: NICKEL PIN G/F 4PCS TYPE INSULATOR COLOR: WHITE
NL	NAME	QTY	SPECIFICATION

**CNC Tech, LLC**  
 Industrial Cable and Connector Technology

DRAWN	ZHONGHS	DRAWING NO	VG/LJQ-094-009-A
CHECKED		CUSTOMER	
APPROVAL		ITEM NO.	101-1010-BL-00300
DECIDED		DATE	2012-02-14
VERSIONS/EDITION	A/0	PROJECTION	

A

B

C

D

A

B

C

D

4

3

2

1