



Chipsmall Limited consists of a professional team with an average of over 10 year of expertise in the distribution of electronic components. Based in Hongkong, we have already established firm and mutual-benefit business relationships with customers from,Europe,America and south Asia,supplying obsolete and hard-to-find components to meet their specific needs.

With the principle of “Quality Parts,Customers Priority,Honest Operation,and Considerate Service”,our business mainly focus on the distribution of electronic components. Line cards we deal with include Microchip,ALPS,ROHM,Xilinx,Pulse,ON,Everlight and Freescale. Main products comprise IC,Modules,Potentiometer,IC Socket,Relay,Connector.Our parts cover such applications as commercial,industrial, and automotives areas.

We are looking forward to setting up business relationship with you and hope to provide you with the best service and solution. Let us make a better world for our industry!



Contact us

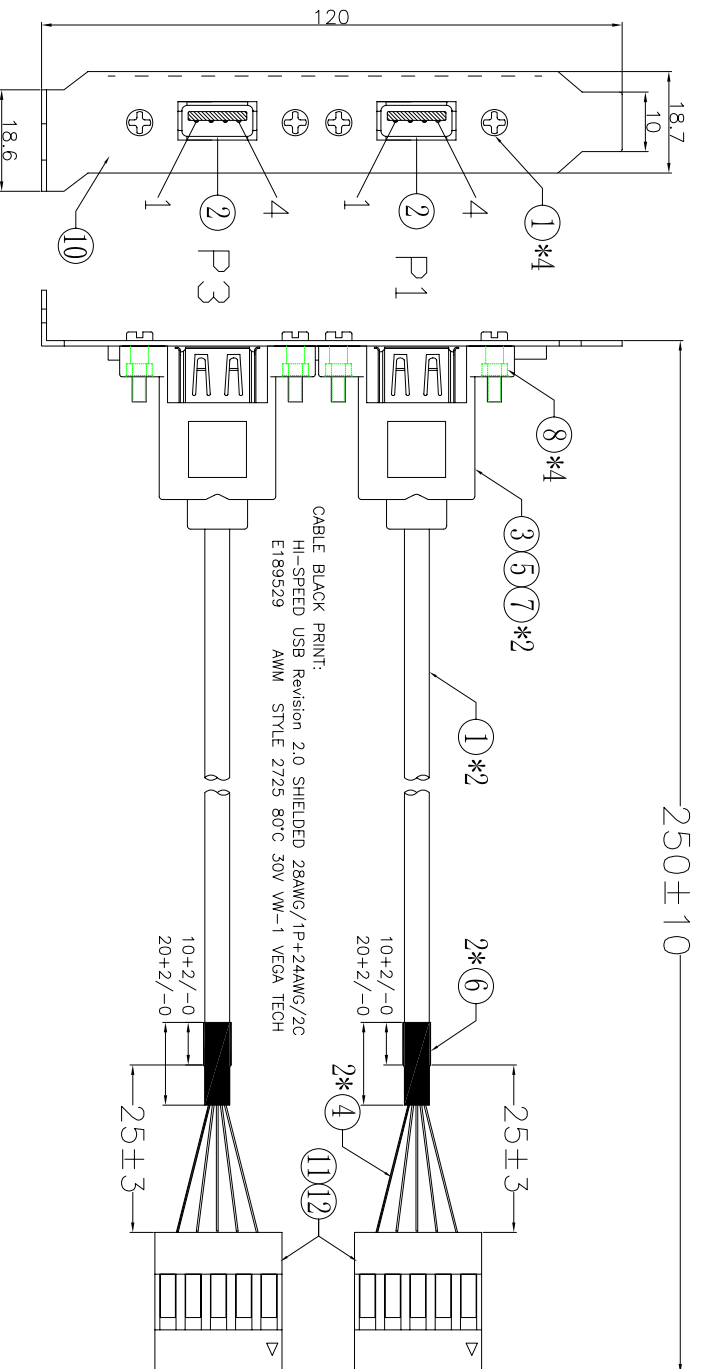
Tel: +86-755-8981 8866 Fax: +86-755-8427 6832

Email & Skype: info@chipsmall.com Web: www.chipsmall.com

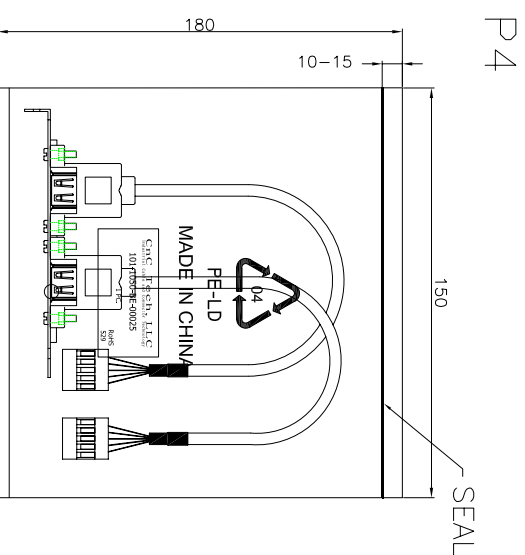
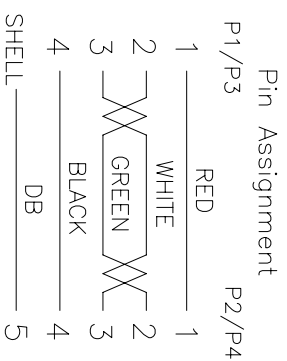
Address: A1208, Overseas Decoration Building, #122 Zhenhua RD., Futian, Shenzhen, China



UNIT:MM



- Electronic Test:
1. 100% Test, (Open, Short, Miss Wire)
 2. Contact Resistance: 5 ohm max.
 3. Insulation Resistance: 5M ohm min.
 4. Hi-Pot: 300V DC/10ms



1PC/BAG

Cnc Tech, LLC
Industrial Cable and Connector Technology

DRAWN BY	ZHONGHSH	DRAWING NO.	
CHECKED BY		CUSTOMER	
APPROVAL BY		ITEM NO.	101-1050-BE-00025
DECIDE BY		DATE	2012-02-16
VERSIONS/EDITION	A/0	PROJECTION	

NO.	NAME	Q'TY	SPECIFICATION
⑭	PE BAG	1/10	CLEAR SIZE:280*330*0.05mm PRINT: BLACK"MADE IN CHINA"+"10PCS"印生产"周期,有透气孔.
⑬	PE BAG	1	CLEAR SIZE:150*180*0.05mm PRINT: BLACK"MADE IN CHINA"+"1PC"印生产"周期,有透气孔.
⑫	TERMINAL	10	杜邦TER PH2.54mm MATERIAL:BRASS GF GRIMP TYPE
⑪	HSG	2	杜邦 HSG 1*SP PH:2.54mm INSULATOR COLOR:BLACK
⑩	BRACKET	1	BRACKET W/USB A-F DOUBLE NICKEL PLATED
⑨	SCREW	4	SCREW:2.8*14.1mm #4-40UNC NICKEL PLATED
⑧	NUT	4	HEX-NUT:4.75*1.65mm #4-40UNC NICKEL PLATED
⑦	IN JACKET	3.89	INNER MOID: CLEAR LDPE (邦福模具:US-Q01 内)
⑥	TUBE	2	H.S.T OD:5.0mm .L=20mm,COLOR BLACK
⑤	TUBE	2	H.S.T OD:0.8mm .L=8mm,COLOR BLACK
④	TUBE	2	H.S.T OD:0.8mm .L=30mm,COLOR BLACK
③	OUT JACKET	21.5g	OUTER WOLD:40P PVC COLOR:BEIGE(V-29#) (邦福模具:US-Q01 外)
②	CONN	2	USB A/F SOLDER TYPE INSULATION WHITE PIN G/F, SHELL-NI PLATED 镀身 (CHINSBAP74)
①	CABLE	2	USB2.0 UL2725 28AWG*1P+24AWG*2C+AL/MY+DW+BD+JACKET COLOR:BEIGE(V-29#) OD:4.7±0.15mm L=235±5/-0mm.

A

B

C

D

4

3

2

1

1

A

B

C

D