



Chipsmall Limited consists of a professional team with an average of over 10 year of expertise in the distribution of electronic components. Based in Hongkong, we have already established firm and mutual-benefit business relationships with customers from,Europe,America and south Asia,supplying obsolete and hard-to-find components to meet their specific needs.

With the principle of “Quality Parts,Customers Priority,Honest Operation,and Considerate Service”,our business mainly focus on the distribution of electronic components. Line cards we deal with include Microchip,ALPS,ROHM,Xilinx,Pulse,ON,Everlight and Freescale. Main products comprise IC,Modules,Potentiometer,IC Socket,Relay,Connector.Our parts cover such applications as commercial,industrial, and automotives areas.

We are looking forward to setting up business relationship with you and hope to provide you with the best service and solution. Let us make a better world for our industry!



## Contact us

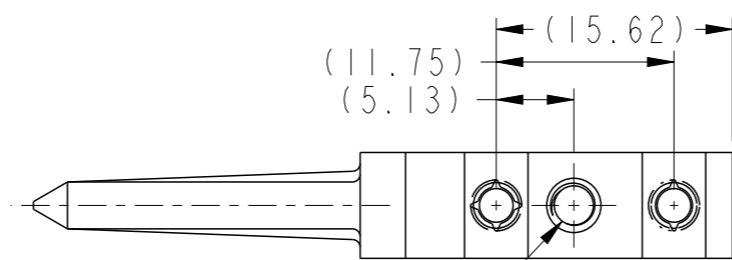
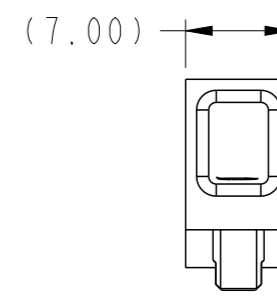
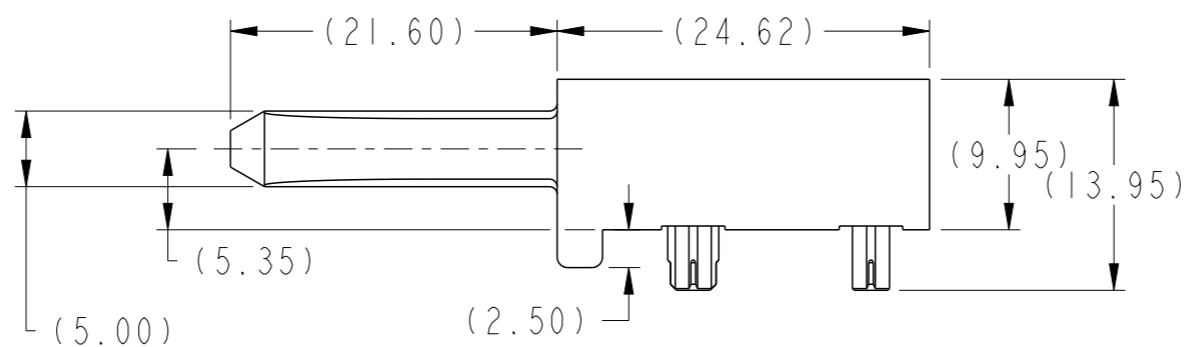
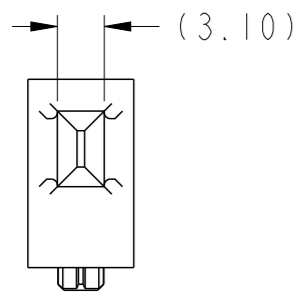
Tel: +86-755-8981 8866 Fax: +86-755-8427 6832

Email & Skype: info@chipsmall.com Web: www.chipsmall.com

Address: A1208, Overseas Decoration Building, #122 Zhenhua RD., Futian, Shenzhen, China



PRODUCT NUMBER  
SEE TABLE, SHEET 2



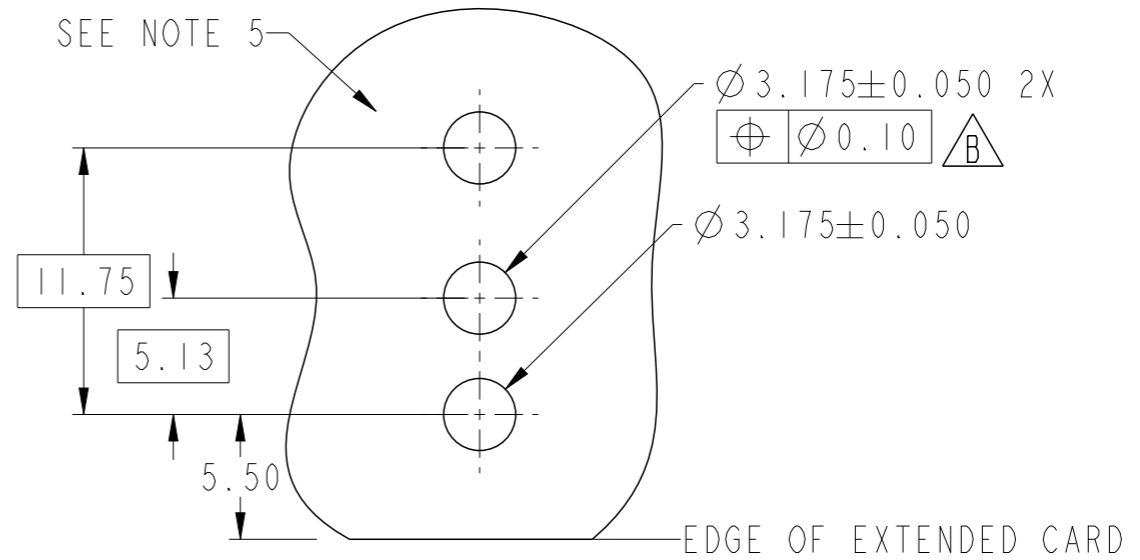
M3 X 0.5-6H  
X 3.0 DEEP

spec ref		dr	Chen-Hong Tan	2009/06/05	projection	MM	size	A3	scale	2:1
tolerance std		eng	Yong-Keat Lim	2012/05/14			ecn no		ELX-S-011610-1	
ASME Y14.5		chr	-	-			rel level		Released	
TOLERANCES UNLESS OTHERWISE SPECIFIED		appr	Chen-Hong Tan	2012/05/15	product family		AirMax Accessories			
surface	3.2	linear	0.X	±0.3		part no		7.2mm R/A GUIDE BLADE		rev B
			0.XX	±0.10		dwg no		10101902		
			0.XXX	±0.050		cat. no.		-		
ASME Y14.5		angular	0°	±°	Product - Customer Drw		sheet 1 of 2			



Copyright FCI.

PRODUCT NUMBER  
10101902-101LF



NOTES:

- ① MATERIAL: ZINC ALLOY
- ② FINISH: TRIVALENT CHROMATE IRIDESCENT.
3. APPLICATION SPECIFICATION: GS-20-045
- ④ REFER TO CUSTOMER DRAWING 10035911 FOR INFORMATION REGARDING PCB LAYOUT OF POWER AND GUIDE MODULES RELATIVE TO SIGNAL MODULES.
- ⑤ RIGHT ANGLE PIN MODULE HAS THE SAME PCB FOOTPRINT AS RIGHT ANGLE RECEPTACLE MODULE. (REF P/N 10045367 SHEET 2)
6. THIS PRODUCT MEETS EUROPEAN DIRECTIVES AND OTHER COUNTRY REGULATIONS AS DESCRIBED IN GS-22-008.
7. PACKAGING MEETS GS-14-920 LEAD FREE LABELLING SPECIFICATION.
8. A  $\triangle B$  SYMBOL WILL BE NEXT TO ANY DIMENSION, VIEW, OR NOTE WHICH HAS BEEN MODIFIED WITH THE CURRENT DRAWING REVISION.

spec ref		dr	Chen-Hong Tan	2009/06/05	projection	MM	size	A3	scale	2:1
tolerance std ASME Y14.5		TOLERANCES UNLESS OTHERWISE SPECIFIED			eng	Yong-Keat Lim	2012/05/14	ecn no	ELX-S-011610-1	
		chr	-			← →		rel level		
		appr	Chen-Hong Tan	2012/05/15	product family			AirMax Accessories		
surface 3.2		linear	0.X	±0.3	FCj		7.2mm R/A GUIDE BLADE		dwg no	10101902
			0.XX	±0.10	www.fci.com		4 PR, INVERSE COPLANAR, LOW PROFILE		rev	B
ASME Y14.5		angular	0°	±°	cat. no.		-		Product - Customer Drw	
								sheet 2 of 2		