



Chipsmall Limited consists of a professional team with an average of over 10 year of expertise in the distribution of electronic components. Based in Hongkong, we have already established firm and mutual-benefit business relationships with customers from,Europe,America and south Asia,supplying obsolete and hard-to-find components to meet their specific needs.

With the principle of “Quality Parts,Customers Priority,Honest Operation,and Considerate Service”,our business mainly focus on the distribution of electronic components. Line cards we deal with include Microchip,ALPS,ROHM,Xilinx,Pulse,ON,Everlight and Freescale. Main products comprise IC,Modules,Potentiometer,IC Socket,Relay,Connector.Our parts cover such applications as commercial,industrial, and automotives areas.

We are looking forward to setting up business relationship with you and hope to provide you with the best service and solution. Let us make a better world for our industry!



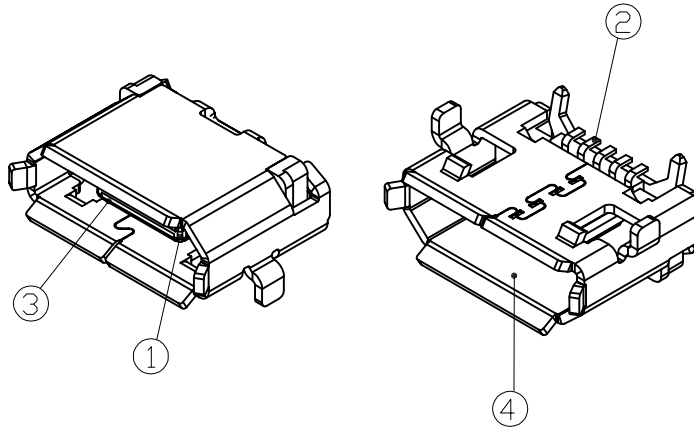
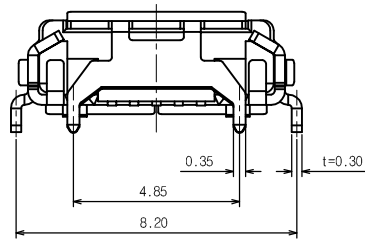
## Contact us

Tel: +86-755-8981 8866 Fax: +86-755-8427 6832

Email & Skype: info@chipsmall.com Web: www.chipsmall.com

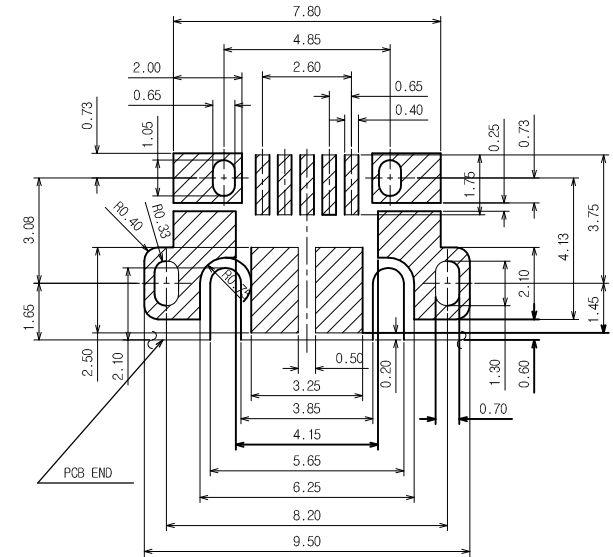
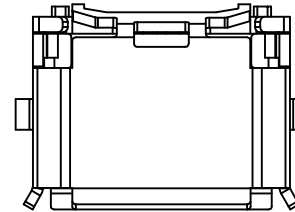
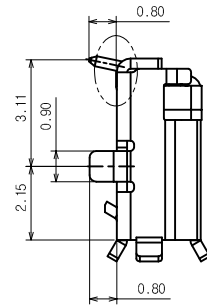
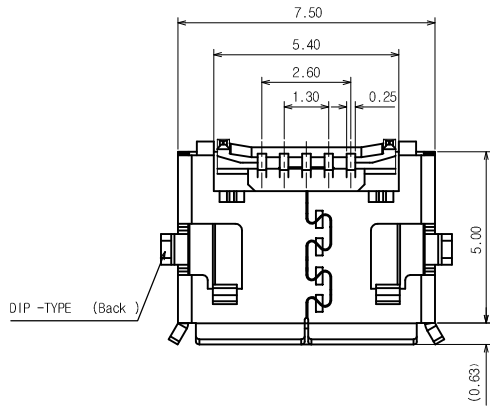
Address: A1208, Overseas Decoration Building, #122 Zhenhua RD., Futian, Shenzhen, China





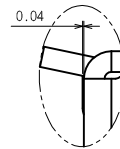
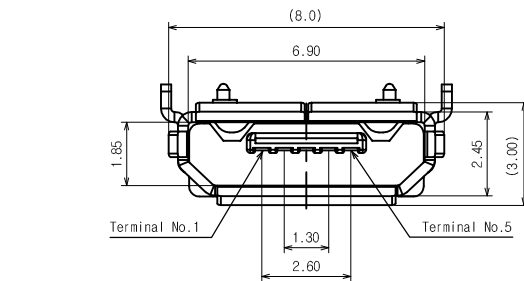
-NOTE-

- Coplanarity:  
Solder tail of signal contacts: Max 0.08 mm
- Product numbering:  
10103592 - 0001 LF



RECOMMENDED PCB Pattern

(Tolerance : ±0.05)



DETAIL "A"

No.	Part Name	Material	Finish	Remarks
1	Housing	Thermoplastic	Black	
2	Contact Ter'	Copper alloy	Au over Ni	
3	Plate	Stainless steel		
4	Shield	Stainless steel	Sn over Ni	

mat'l. code				tolerances unless otherwise specified		CUSTOMER COPY		FCJ		www.fciconnect.com	
ltr	ecn no	dr	date	linear	.X ± 0.38		projection	title			
A	T10-0002	J.H	1/7/10		.XX ± 0.25			MICRO-USB B-TYPE REVERSE			
B	ELX-N-19511	J.H	11/20'14		.XXX ± 0.10			product family USB code TWN			
				angles	0° ± 2'		MM		size dwg no		sheet 1 of 1
				dr	JASON HSU	1/7/10	scale		A4		10103592
				enr	JASON HSU	1/7/10					
				chr	GARY HSIEH	1/7/10					
				appd	JOSEPH HSIA	1/7/10					
sheet index		revision	B								
		sheet	1								