



Chipsmall Limited consists of a professional team with an average of over 10 year of expertise in the distribution of electronic components. Based in Hongkong, we have already established firm and mutual-benefit business relationships with customers from,Europe,America and south Asia,supplying obsolete and hard-to-find components to meet their specific needs.

With the principle of “Quality Parts,Customers Priority,Honest Operation,and Considerate Service”,our business mainly focus on the distribution of electronic components. Line cards we deal with include Microchip,ALPS,ROHM,Xilinx,Pulse,ON,Everlight and Freescale. Main products comprise IC,Modules,Potentiometer,IC Socket,Relay,Connector.Our parts cover such applications as commercial,industrial, and automotives areas.

We are looking forward to setting up business relationship with you and hope to provide you with the best service and solution. Let us make a better world for our industry!



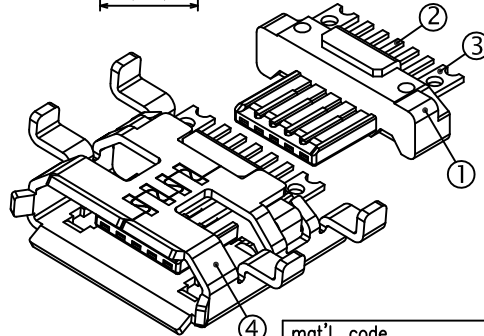
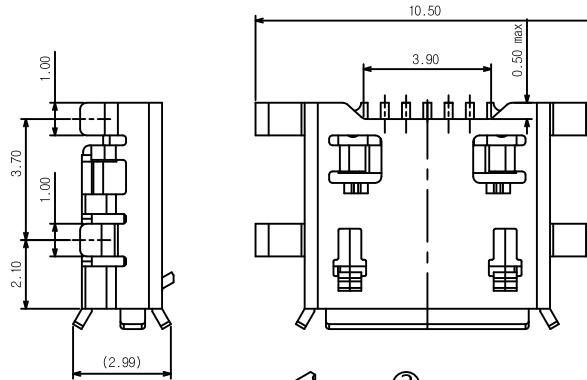
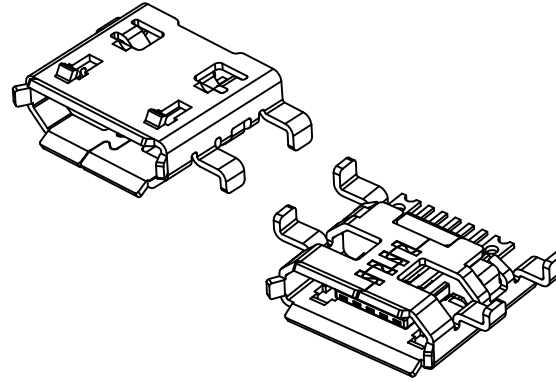
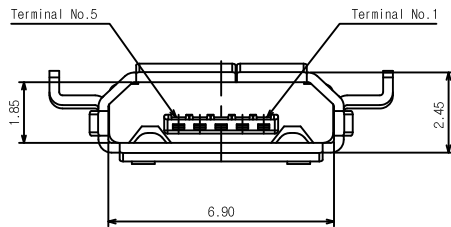
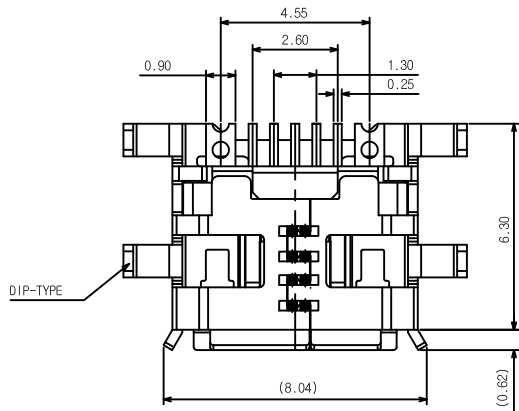
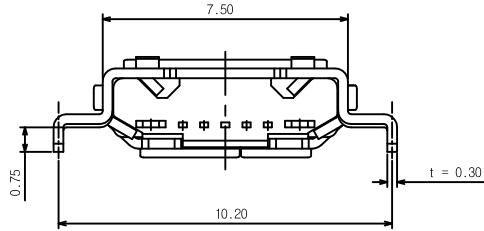
Contact us

Tel: +86-755-8981 8866 Fax: +86-755-8427 6832

Email & Skype: info@chipsmall.com Web: www.chipsmall.com

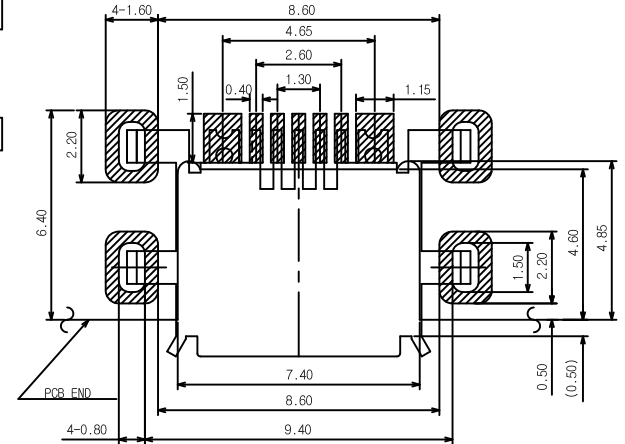
Address: A1208, Overseas Decoration Building, #122 Zhenhua RD., Futian, Shenzhen, China





-NOTE-

1. This product is enable to mount both USB-IF Recommended PCB pattern
2. Coplanarity : The dimension between flat tool and botton of soldering terminals when connector put on the flat tool like PCB
Signal terminal / Metal tal (front) : Max 0.08 mm
3. PRODUCT NUMBERING:
10103593 - 0001LF



USB-IF REVERSE type Pattern
USB-IF Recommended RIVERSE type Pattern
(Tolerance : ±0.05)

No.	Part Name	Material	Finish
1	Socket Housing	Thermoplastic(Black)	UL94V-0
2	Socket Contact Ter'	Copper alloy	Au over Ni
3	Socket Ter'	Copper alloy	Au over Ni
4	Socket Shield	Stainless Steel	Ni plated

mat'l. code				tolerances unless otherwise specified			CUSTOMER COPY		FCI		www.fciconnect.com	
ltr	ecn no	dr	date	linear	.X ± 0.38		projection	title				
A	T10-0002	J.H	1/7/10		.XX ± 0.25			MICRO-USB B-TYPE MID-MOUNT				
					.XXX ± 0.15							
				angles	0° ±2°		MM		product family		code	
				dr	JASON HSU	1/7/10	scale		USB		TWN	
				enrg	JASON HSU	1/7/10	A4		size dwg no		sheet	
				chr	GARY HSIEH	1/7/10	NA		10103593		1 of 1	
				appd	JOSEPH HSIA	1/7/10						
sheet index	revision sheet	A	1									