



Chipsmall Limited consists of a professional team with an average of over 10 year of expertise in the distribution of electronic components. Based in Hongkong, we have already established firm and mutual-benefit business relationships with customers from,Europe,America and south Asia,supplying obsolete and hard-to-find components to meet their specific needs.

With the principle of “Quality Parts,Customers Priority,Honest Operation,and Considerate Service”,our business mainly focus on the distribution of electronic components. Line cards we deal with include Microchip,ALPS,ROHM,Xilinx,Pulse,ON,Everlight and Freescale. Main products comprise IC,Modules,Potentiometer,IC Socket,Relay,Connector.Our parts cover such applications as commercial,industrial, and automotives areas.

We are looking forward to setting up business relationship with you and hope to provide you with the best service and solution. Let us make a better world for our industry!



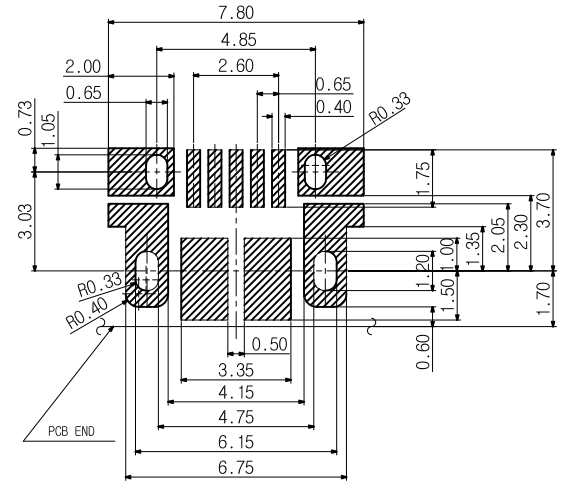
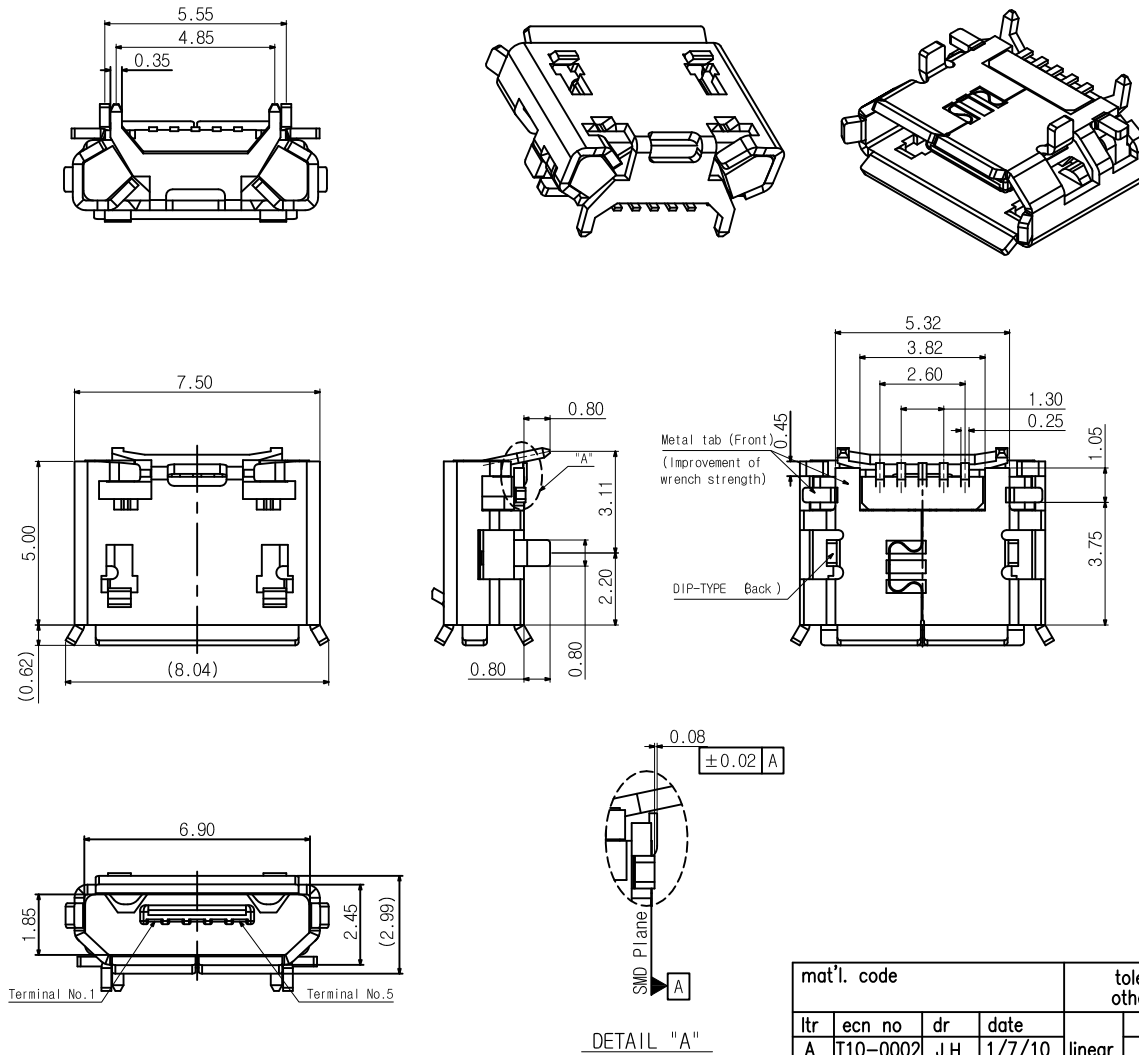
Contact us

Tel: +86-755-8981 8866 Fax: +86-755-8427 6832

Email & Skype: info@chipsmall.com Web: www.chipsmall.com

Address: A1208, Overseas Decoration Building, #122 Zhenhua RD., Futian, Shenzhen, China





RECOMMENDED PCB Pattern

(Tolerance : ±0.05)

-NOTE-

1. This product is enable to mount both USB-IF Recommended PCB pattern and NEW USB-IF Recommended PCB Pattern
2. Coplanarity : The dimension between flat tool and when connector put on the flat tool like PCB botton of soldering terminals
Signal terminal / Metal (front) : Max 0.08 mm
3. PRODUCT NUMBERING
10103594 - 0001 LF

No.	Part Name	Material	Finish	Remarks
1	Socket Housing	Thermoplastic	(Black)	
2	Socket Contact Ter	Copper Alloy	Au over Ni	
3	Socket Shield	Stainless Steel	Sn over Ni	
4	Socket Plate	Stainless Steel		

mat'l. code				tolerances unless otherwise specified			CUSTOMER COPY		FCI		www.fciconnect.com	
ltr	ecn no	dr	date	linear	.X ± 0.38		projection	title				
A	T10-0002	J.H	1/7/10		.XX ± 0.25			MICRO-USB B-TYPE RECEP.				
					.XXX ± 0.15							
				angles	0° ±2°		MM		product family USB		code	
				dr	JASON HSU	1/7/10	scale		size		dwg no	sheet
				enr	JASON HSU	1/7/10	NA		A4		10103594	1 of 1
				chr	GARY HSIEH	1/7/10						
				appd	JOSEPH HSIA	1/7/10						
sheet index	revision sheet	A	1									