



Chipsmall Limited consists of a professional team with an average of over 10 year of expertise in the distribution of electronic components. Based in Hongkong, we have already established firm and mutual-benefit business relationships with customers from,Europe,America and south Asia,supplying obsolete and hard-to-find components to meet their specific needs.

With the principle of “Quality Parts,Customers Priority,Honest Operation,and Considerate Service”,our business mainly focus on the distribution of electronic components. Line cards we deal with include Microchip,ALPS,ROHM,Xilinx,Pulse,ON,Everlight and Freescale. Main products comprise IC,Modules,Potentiometer,IC Socket,Relay,Connector.Our parts cover such applications as commercial,industrial, and automotives areas.

We are looking forward to setting up business relationship with you and hope to provide you with the best service and solution. Let us make a better world for our industry!



Contact us

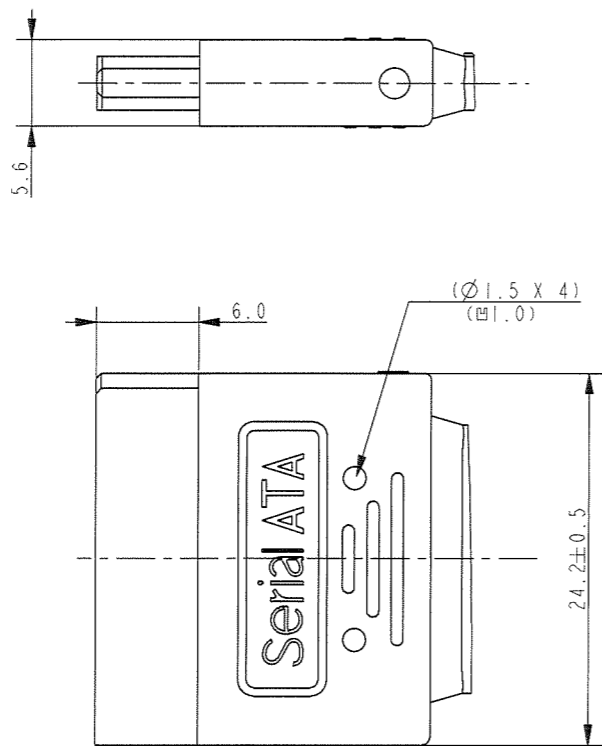
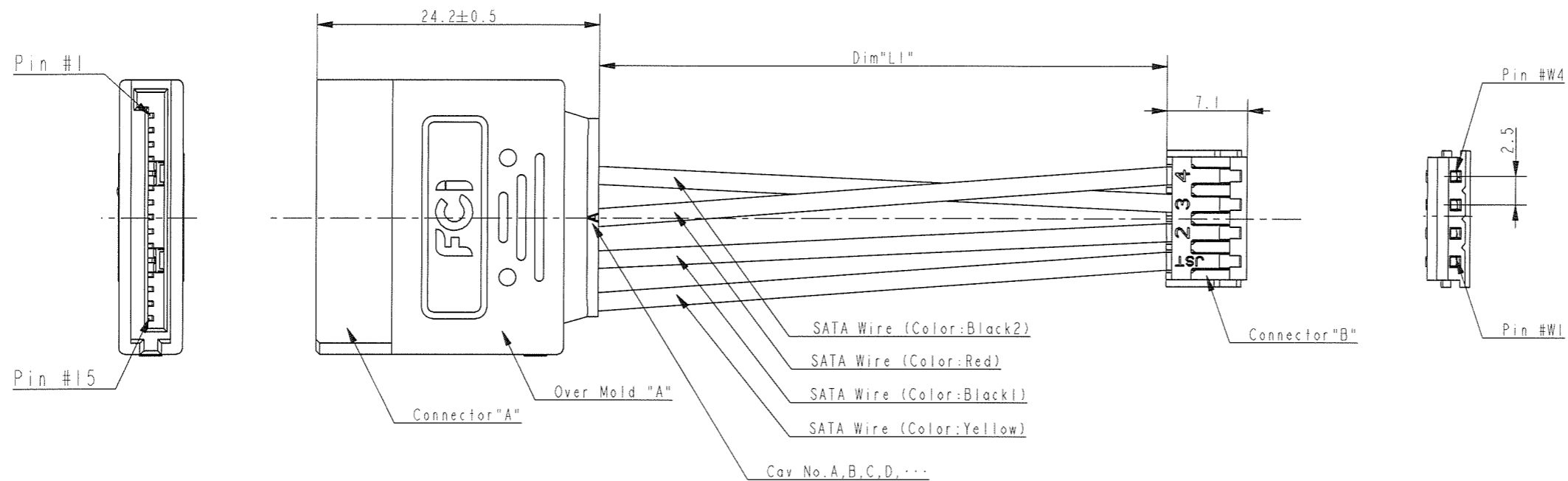
Tel: +86-755-8981 8866 Fax: +86-755-8427 6832

Email & Skype: info@chipsmall.com Web: www.chipsmall.com

Address: A1208, Overseas Decoration Building, #122 Zhenhua RD., Futian, Shenzhen, China



1	2	3	4	5	6	7	8
Product NO.	Dim "L1"	Connector "A"	Over Mold "A"	Connector "B"	SATA Cable Wire	Solder	
10103791-15S064HLF	64±8	SATA 15P Receptacle connector Straight type Housing, Back Cover: Heat resistant resin, Halogen Free, UL94V-0, Color Black	Heat resistant resin, Halogen Free, UL94V-0, Color Black	EH 4P Connector (2.5mmP Wire/Board Connector) Maker: JST Part No.: Housing: EHR-4 Terminal: SEH-001 T-P0.6	Insulation Wire (UL3385 105°C 300V AWG22 VW-1 Halogen Free with F-mark) Color: Black X2, Yellow, Red	Sn96.5-Ag3.0-Cu0.5 Lead Free	
10103791-15S108HLF	108±8	Contact: Copper Alloy Contact Area: Gold plating over Ni plating					



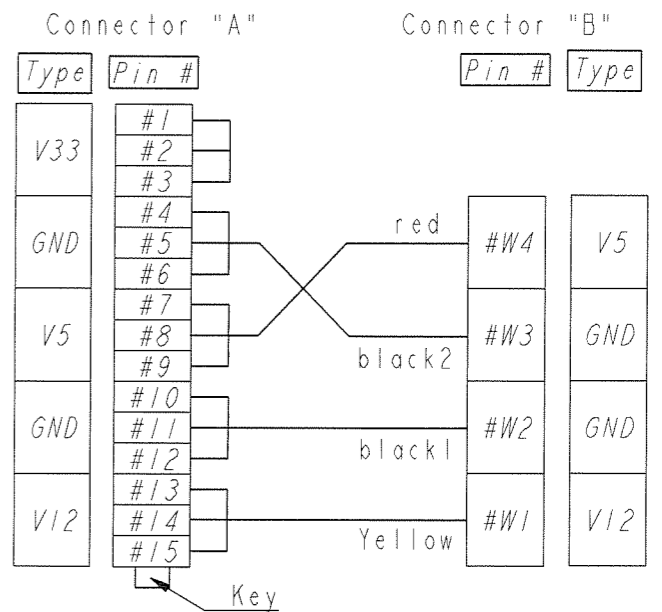
NOTE)

- 1) This product is based on Serial ATA Revision 2.6.
- 2) This product is manufactured by soldering process.
- 3) About the other Dim "L1" length, please inquire to sales person in our company.
- 4) Product SPEC: GS-12-672
- 5) Package SPEC: GS-14-1056
- 6) P/N composition

10103791 - 15 S XXX H LF

- Lead Free
- Halogen Free
- Cable length: Dim "L1"
- SATA Side Type: (S: Straight, R: R/A)
- Power connector position

**Wiring Table:
Pin Assignment**



Copyright FCJ

www.fciconnect.com		surface ISO 1302	tolerance std ISO 406 ISO 1101	projection	MM
		TOLERANCES UNLESS OTHERWISE SPECIFIED			
Dr	T. Ishishita	2010-10-14	ANGULAR	0.X ±0.4	size A2
Eng	T. Ishishita	2010-10-14	LINEAR	0.XX ±0.4	Scale N/A
Chr	T. Kamada	2010-10-14	0° ±4°	0.XXX ±0.4	ECN J10-0210
Appr	M. Mori	Oct 18 2010	Product family	233F	Spec ref
FCJ		Title		SATA 15P Power Cable Harness	
		Title		SATA 15P Receptacle Straight	
		catalog no		CUSTOMER	
		dwg no		10103791	
		Rev.		A	
		sheet		1 of 1	