



Chipsmall Limited consists of a professional team with an average of over 10 year of expertise in the distribution of electronic components. Based in Hongkong, we have already established firm and mutual-benefit business relationships with customers from,Europe,America and south Asia,supplying obsolete and hard-to-find components to meet their specific needs.

With the principle of “Quality Parts,Customers Priority,Honest Operation,and Considerate Service”,our business mainly focus on the distribution of electronic components. Line cards we deal with include Microchip,ALPS,ROHM,Xilinx,Pulse,ON,Everlight and Freescale. Main products comprise IC,Modules,Potentiometer,IC Socket,Relay,Connector.Our parts cover such applications as commercial,industrial, and automotives areas.

We are looking forward to setting up business relationship with you and hope to provide you with the best service and solution. Let us make a better world for our industry!



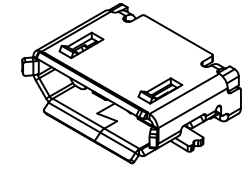
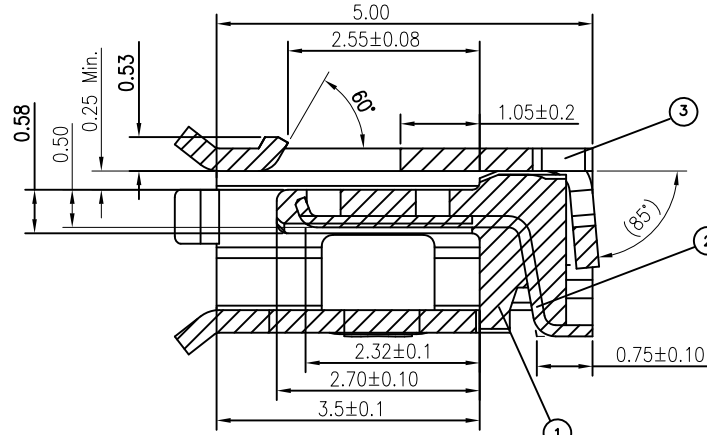
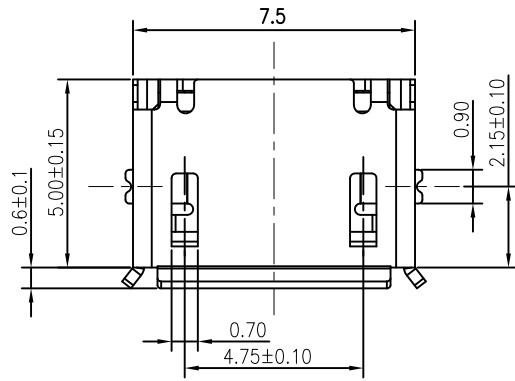
Contact us

Tel: +86-755-8981 8866 Fax: +86-755-8427 6832

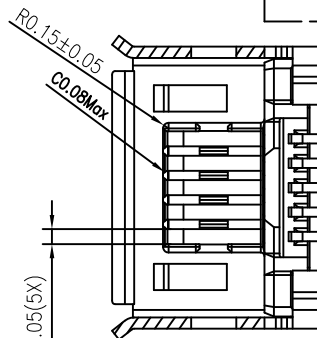
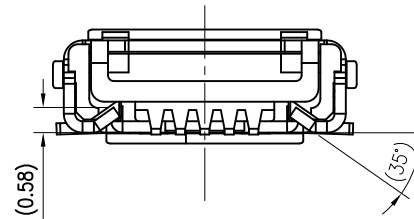
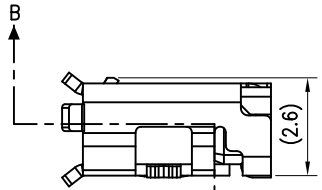
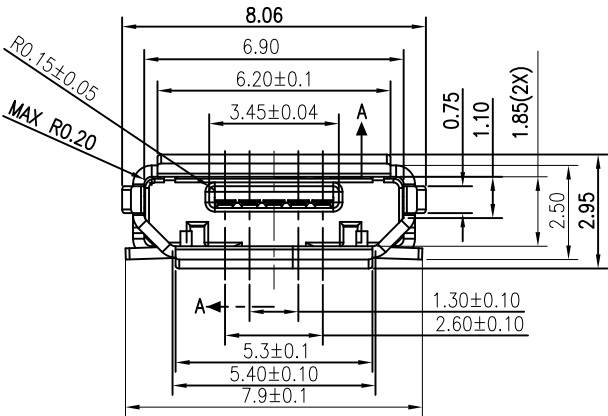
Email & Skype: info@chipsmall.com Web: www.chipsmall.com

Address: A1208, Overseas Decoration Building, #122 Zhenhua RD., Futian, Shenzhen, China

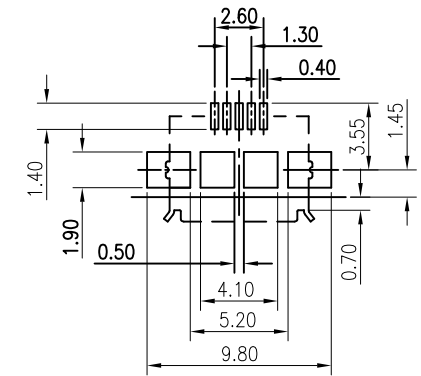




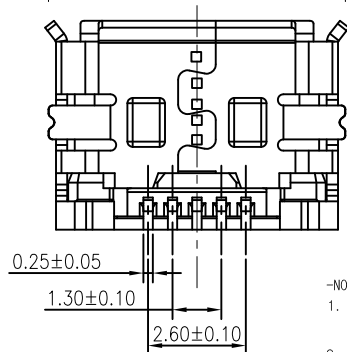
Section A-A (10:1)



Section B-B



RECOMMENDED PCB LAYOUT



-NOTE-

- This product is enable to mount both USB-IF Recommended PCB pattern bottom of soldering terminals
- Coplanarity : The dimension between flat tool and when connector put on the flat tool like PCB Signal Contact ter! solder tail : Max 0.08 mm Metal tab : Max 0.1mm
- PRODUCT NUMBERING:
10104110 - 0001 LF
- The "LF" is meant lead free and can withstand expose to 260° C peak temperature for 10 seconds in IR reflow process.

ITEM	DESCRIPTION	MATERIAL	FINISH	QTY
1	HOUSING	THERMOPLASTIC+GF	BLACK	1
2	CONTACT	COPPER ALLOY	PLATING : Au PLATED OVER NICKEL OVERALL	5
3	SHELL	STAINLESS STEEL	PLATING : TiN OVER NICKEL OVERALL	1

mat'l. code				tolerances unless otherwise specified		CUSTOMER COPY		FCI		www.fciconnect.com		
ltr	ecn no	dr	date	linear	.X ± 0.38		projection	title				
A	T10-0002	J.H	1/7/10		.XX ± 0.25			MICRO USB B TYPE RECEPTACLE				
B	T10-0063	J.H	5/12/10		.XXX ± 0.10							
C	T11-0016	J.H	3/16/11	angles	0° ± 2°		MM		product family USB		code	
				dr	JASON HSU	1/7/10	scale		size dwg no		sheet	
				enr	JASON HSU	1/7/10	5:1		A4		10104110	TWN
				chr	GARY HSIEH	1/7/10					1 of 1	
				appd	JOSEPH HSIA	1/7/10						
sheet index	revision sheet	C	1									