



Chipsmall Limited consists of a professional team with an average of over 10 year of expertise in the distribution of electronic components. Based in Hongkong, we have already established firm and mutual-benefit business relationships with customers from,Europe,America and south Asia,supplying obsolete and hard-to-find components to meet their specific needs.

With the principle of “Quality Parts,Customers Priority,Honest Operation,and Considerate Service”,our business mainly focus on the distribution of electronic components. Line cards we deal with include Microchip,ALPS,ROHM,Xilinx,Pulse,ON,Everlight and Freescale. Main products comprise IC,Modules,Potentiometer,IC Socket,Relay,Connector.Our parts cover such applications as commercial,industrial, and automotives areas.

We are looking forward to setting up business relationship with you and hope to provide you with the best service and solution. Let us make a better world for our industry!



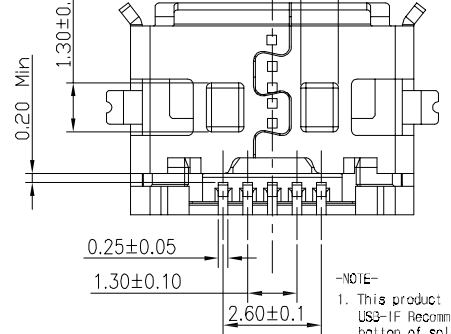
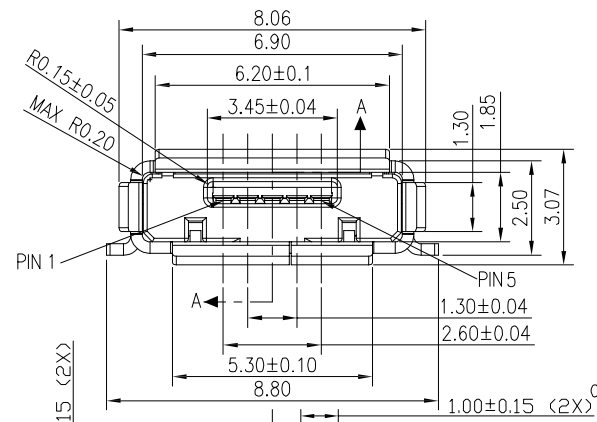
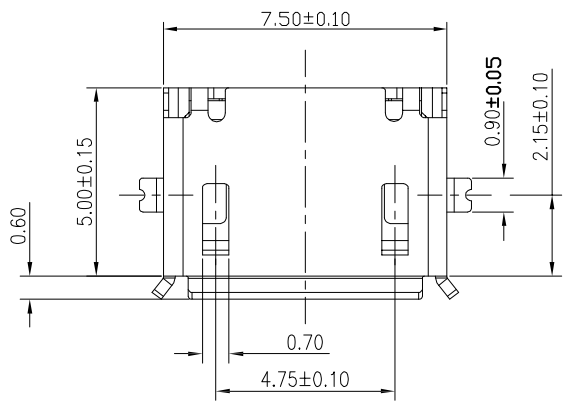
## Contact us

Tel: +86-755-8981 8866 Fax: +86-755-8427 6832

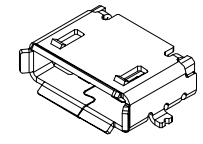
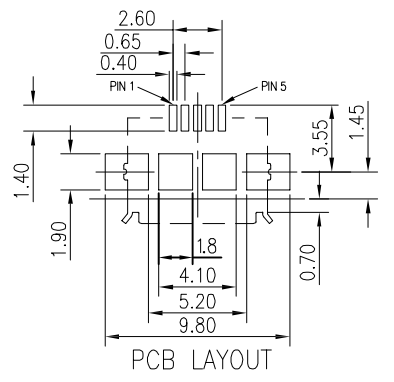
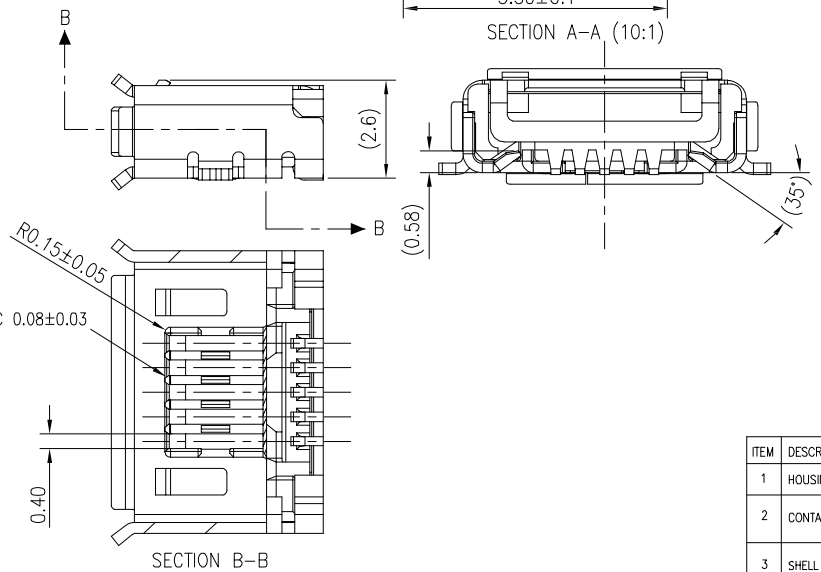
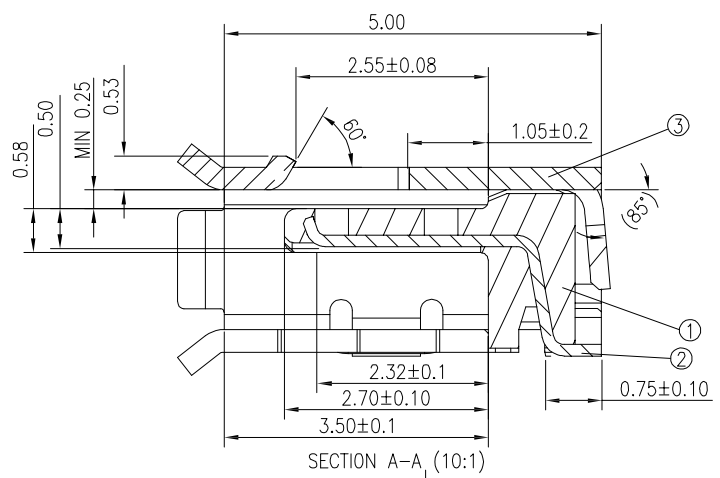
Email & Skype: info@chipsmall.com Web: www.chipsmall.com

Address: A1208, Overseas Decoration Building, #122 Zhenhua RD., Futian, Shenzhen, China





- NOTE-
- This product is enable to mount both USB-IF Recommended PCB pattern bottom of soldering terminals
  - Coplanarity : The dimension between flat tool and when connector put on the flat tool like PCB Signal Contact ter' solder tail : Max 0.08 mm Metal tab : Max 0.1mm
  - PRODUCT NUMBERING:  
10104111 - 0001 LF
  - The "LF" is meant lead free and can withstand expose to 260° C peak temperature for 10 seconds in IR reflow process.



ITEM	DESCRIPTION	MATERIAL	FINISH	Q'TY
1	HOUSING	THERMOPLASTIC+GF	GRAY	1
2	CONTACT	COPPER ALLOY	PLATING : 30u" Au PLATED OVER NICKEL OVERALL	5
3	SHELL	STAINLESS STEEL	PLATING : TIN OVER NICKEL OVERALL	1

mat'l. code		tolerances unless otherwise specified		CUSTOMER COPY		FCI	
ltr	ecn no	dr	date	.X ± 0.38	projection	www.fciconnect.com	
A	T10-0002	J.H	1/7/10	.XX ± 0.25		title	
B	T10-0063	J.H	5/12/10	.XXX ± 0.10		MICRO USB A/B TYPE RECEPTACLE	
C	T11-0016	J.H	3/16/11	0° ± 2°	MM	product family	code
D	ELX-N-16100	J.H	10/21/13	dr	JASON HSU	USB	TWN
E	ELX-N-17563	LQ	4/24/13	enr	JASON HSU	size	dwg no
F	ELX-N-19385	LQ	11/12/14	chr	GARY HSIEH	10104111	sheet 1 of 1
G	ELX-N-22325	LQ	10/28/15	appd	JOSEPH HSIA		
sheet	revision	D					
index	sheet	1					