



Chipsmall Limited consists of a professional team with an average of over 10 year of expertise in the distribution of electronic components. Based in Hongkong, we have already established firm and mutual-benefit business relationships with customers from,Europe,America and south Asia,supplying obsolete and hard-to-find components to meet their specific needs.

With the principle of "Quality Parts,Customers Priority,Honest Operation,and Considerate Service",our business mainly focus on the distribution of electronic components. Line cards we deal with include Microchip,ALPS,ROHM,Xilinx,Pulse,ON,Everlight and Freescale. Main products comprise IC,Modules,Potentiometer,IC Socket,Relay,Connector.Our parts cover such applications as commercial,industrial, and automotives areas.

We are looking forward to setting up business relationship with you and hope to provide you with the best service and solution. Let us make a better world for our industry!



Contact us

Tel: +86-755-8981 8866 Fax: +86-755-8427 6832

Email & Skype: info@chipsmall.com Web: www.chipsmall.com

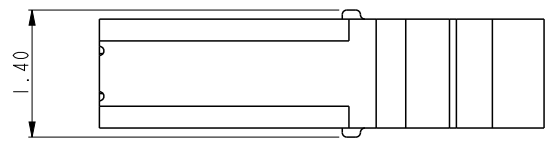
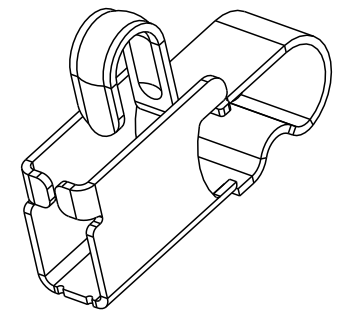
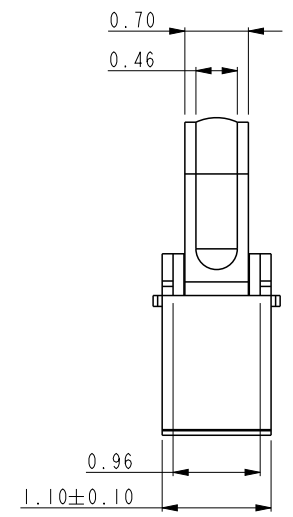
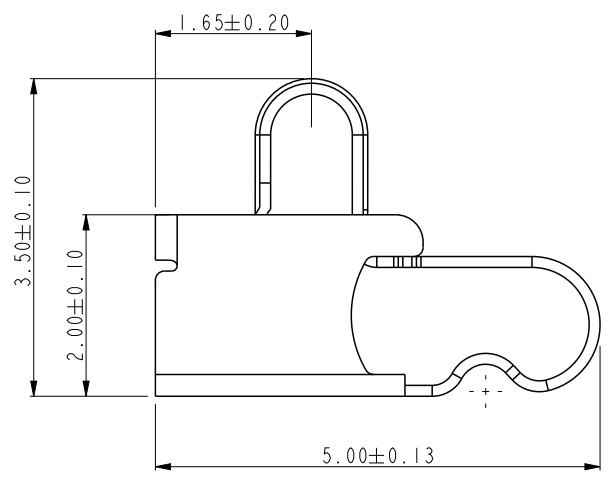
Address: A1208, Overseas Decoration Building, #122 Zhenhua RD., Futian, Shenzhen, China





Copyright FCI.

	PRODUCT NO.
FCI	10104321-001RLF 10104321-003RLF 10104321-009RLF



NOTES:
 1. MATERIAL: BERYLLIUM COPPER ALLOY.
 2. CONTACT PLATING:
 CONTACT AREA: PLATING 1um Au OVER 1.0/3.0um Ni UNDERPLATE.
 or PLATING 0.05 to 0.15um Au OVER 1.0/3.0um Ni UNDERPLATE.
 or PLATING 1um GXT OVER 1.0/3.0um Ni UNDERPLATE.
 (1um GXT is 0.025-0.125um Au over 0.875um PdNi)
 SOLDER AREA : PLATING 0.05 TO 0.15um Au OVER 1.0/3.0um Ni UNDERPLATE.
 3. PACKAGING: TAPE & REEL
 4. PART NUMBER DESCRIPTION:
 10104321-0 0 X X X
 X : LF: LEAD FREE
 X : R : TAPE AND REEL
 CONTACT PLATING:
 1 : 1um Au over Ni
 3 : 0.05 to 0.15um Au over Ni
 9 : 1um GXT over Ni

rev	ecn no	dr	date
A	DG09-0331	NZ	2009-11-10
B	DG11-0048	SM	2011-02-22
C	ELX-DG-011086-1	ANDY	2012-03-27

spec ref	*	dr	Louis Ng	2009/10/06	projection	mm	size	A4	scale	12.000
tolerance std	ASME Y14.5	eng	Andy Lu	2012/03/27			ecn no	ELX-DG-011086-1		
TOLERANCES UNLESS OTHERWISE SPECIFIED		chr	Young Ou	2012/03/28				rel level	Released	
surface	linear	appr	Pei-Ming Zheng	2012/03/28	product family	-	rel level	Released		
ASME Y14.5	0.X	±0.3		title	ANTENNA CONNECTOR		dwg no	10104321		rev
	0.XX	±0.15								
	0.XXX	±0.050								
ASME Y14.5	angular	0°	±2°	www.fci.com	cat. no.	10104321	Product - Customer Drw	sheet 1 of 1		

ProE File - REV C - 2009-06-09