



Chipsmall Limited consists of a professional team with an average of over 10 year of expertise in the distribution of electronic components. Based in Hongkong, we have already established firm and mutual-benefit business relationships with customers from,Europe,America and south Asia,supplying obsolete and hard-to-find components to meet their specific needs.

With the principle of “Quality Parts,Customers Priority,Honest Operation,and Considerate Service”,our business mainly focus on the distribution of electronic components. Line cards we deal with include Microchip,ALPS,ROHM,Xilinx,Pulse,ON,Everlight and Freescale. Main products comprise IC,Modules,Potentiometer,IC Socket,Relay,Connector.Our parts cover such applications as commercial,industrial, and automotives areas.

We are looking forward to setting up business relationship with you and hope to provide you with the best service and solution. Let us make a better world for our industry!



Contact us

Tel: +86-755-8981 8866 Fax: +86-755-8427 6832

Email & Skype: info@chipsmall.com Web: www.chipsmall.com

Address: A1208, Overseas Decoration Building, #122 Zhenhua RD., Futian, Shenzhen, China

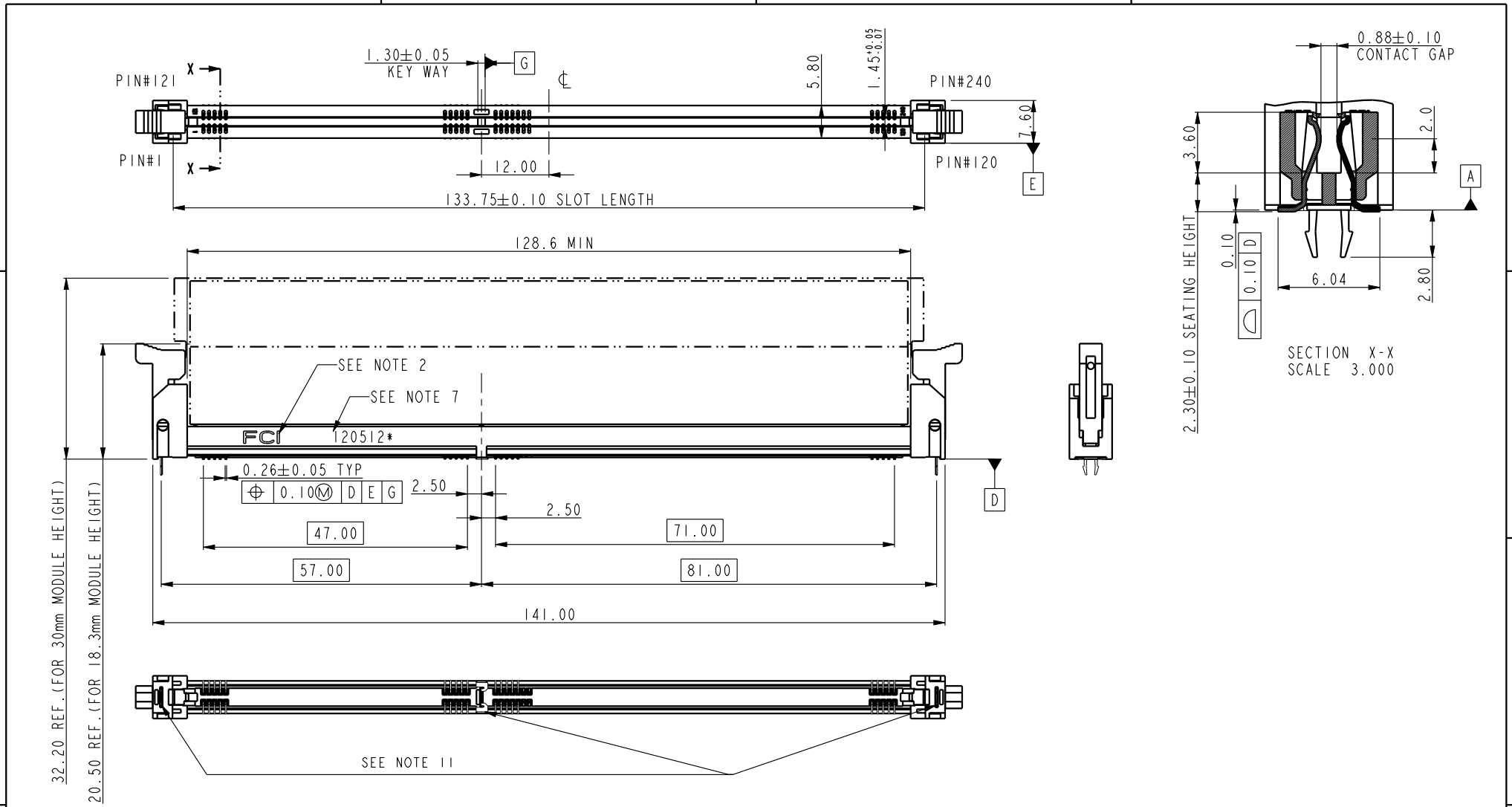


A

B

C

D



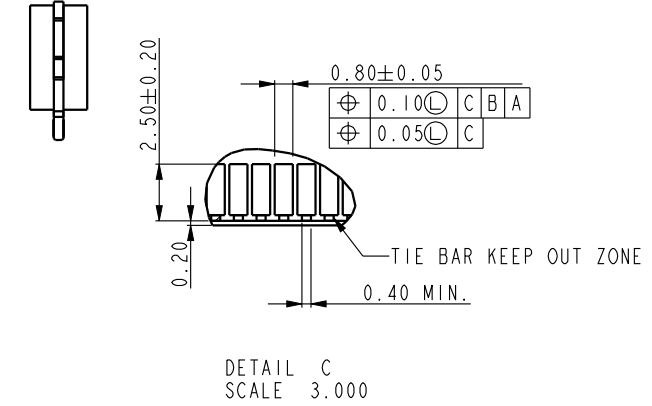
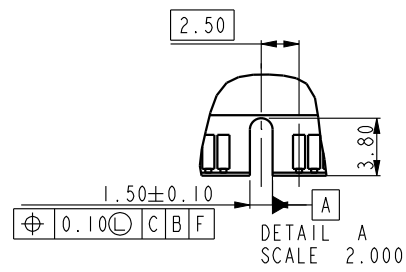
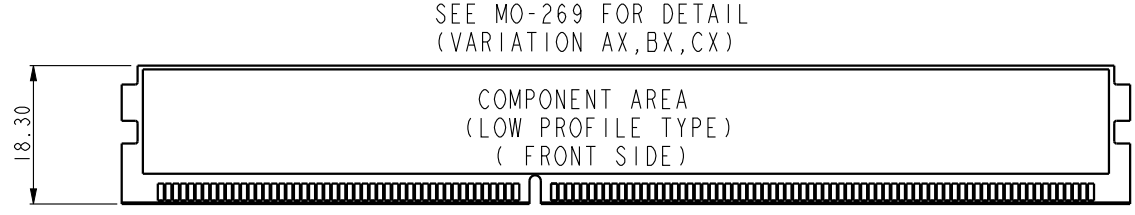
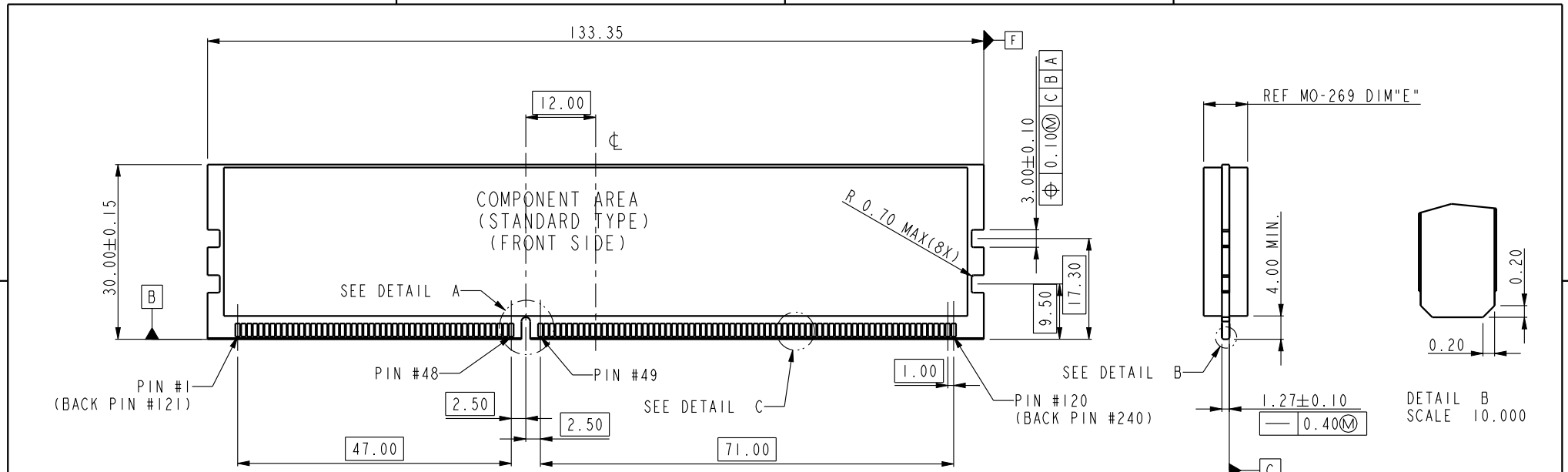
spec ref	*	dr	Rick Bian	2010/07/04	projection	MM	size	A4	scale	1.000											
tolerance std	TOLERANCES UNLESS OTHERWISE SPECIFIED	eng	Jeny Ren	2017/12/28			ecn no	ELX-DG-28885-1													
		chr	-	-			rel level	Released													
surface	<table border="1"> <tr> <td>linear</td> <td>0.X</td> <td>±0.5</td> </tr> <tr> <td></td> <td>0.XX</td> <td>±0.30</td> </tr> <tr> <td></td> <td>0.XXX</td> <td>±0.15</td> </tr> <tr> <td>angular</td> <td>0°</td> <td>±2°</td> </tr> </table>	linear	0.X	±0.5		0.XX	±0.30		0.XXX	±0.15	angular	0°	±2°	appr	Nickor Zuo	2018/02/09	product family			rev	F
linear	0.X	±0.5																			
	0.XX	±0.30																			
	0.XXX	±0.15																			
angular	0°	±2°																			
		www.fci.com	title		DDR III SMT SOCKET ASS'Y (WITH LCP HOUSING)		dwg no		10104389												
		cat. no.	*		Product - Customer Drw			sheet 1 of 4													

A

B

C

D



dr	Rick Bian	2010/07/04	projection	MM	size	A4	scale	1.000
eng	Jeny Ren	2017/12/28			ecn no	ELX-DG-28885-1		
chr	-	-			rel level	Released		
appr	Nickor Zuo	2018/02/09	product family					
Amphenol FCI	title			DDR III SMT SOCKET ASS'Y	dwg no	10104389		rev
www.fci.com				(WITH LCP HOUSING)				F
	cat. no.	*	Product - Customer Drw			sheet 2 of 4		



A

B

C

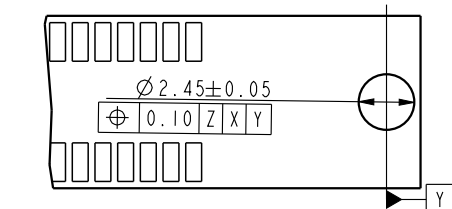
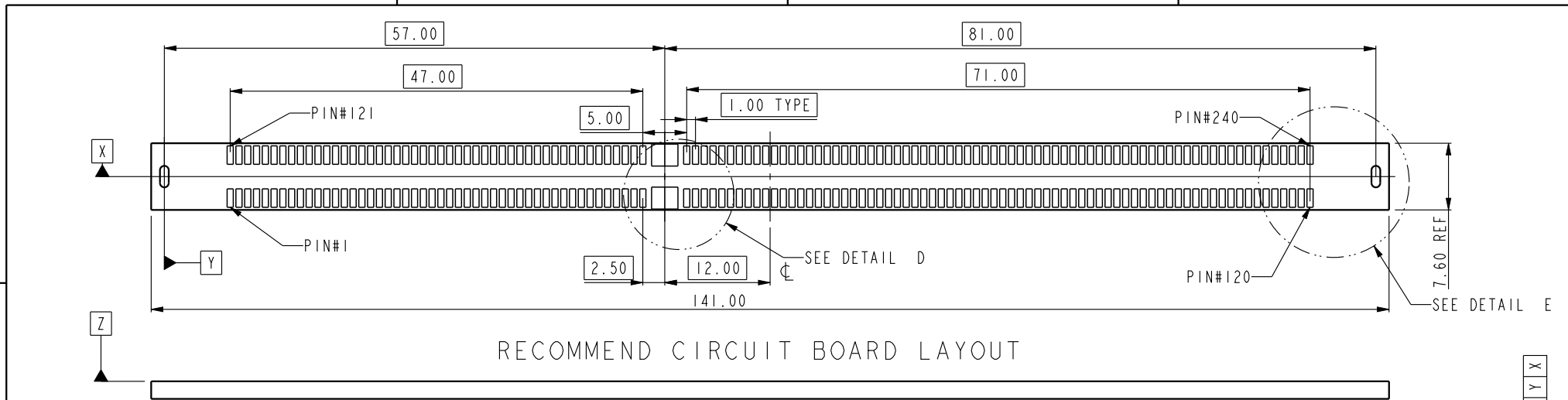
D

A

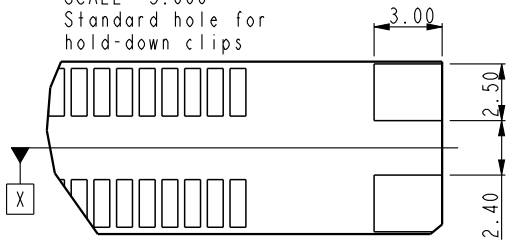
B

C

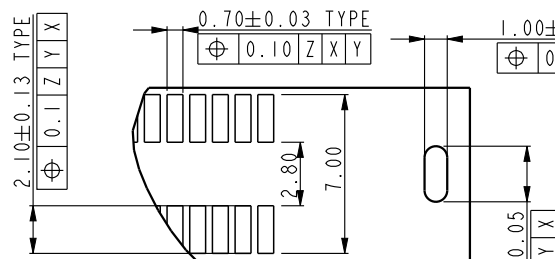
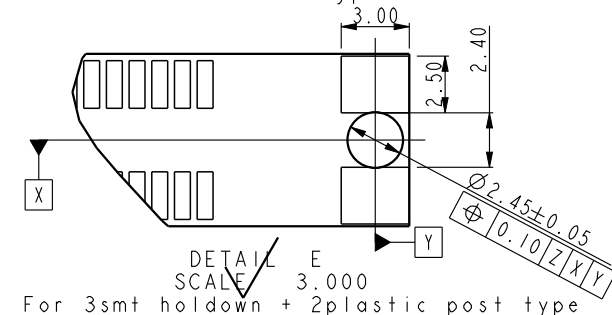
D



DETAIL E
SCALE 3.000
Standard hole for hold-down clips

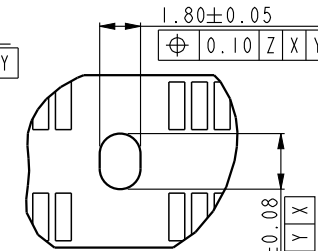


DETAIL E
SCALE 3.000
For smt holddown type



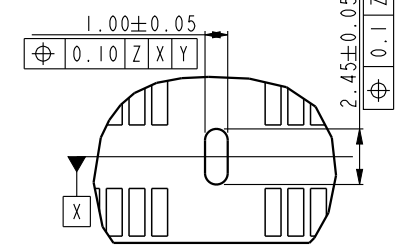
DETAIL E
SCALE 3.000

For paste-in-hole applications.
Can be used to solder clips during reflow operation.



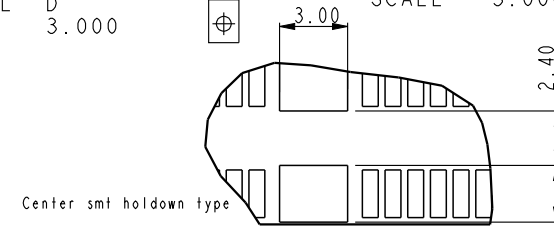
Center post type

DETAIL D
SCALE 3.000



Center forklock type

DETAIL D
SCALE 3.000



Center smt holddown type

DETAIL D
SCALE 3.000

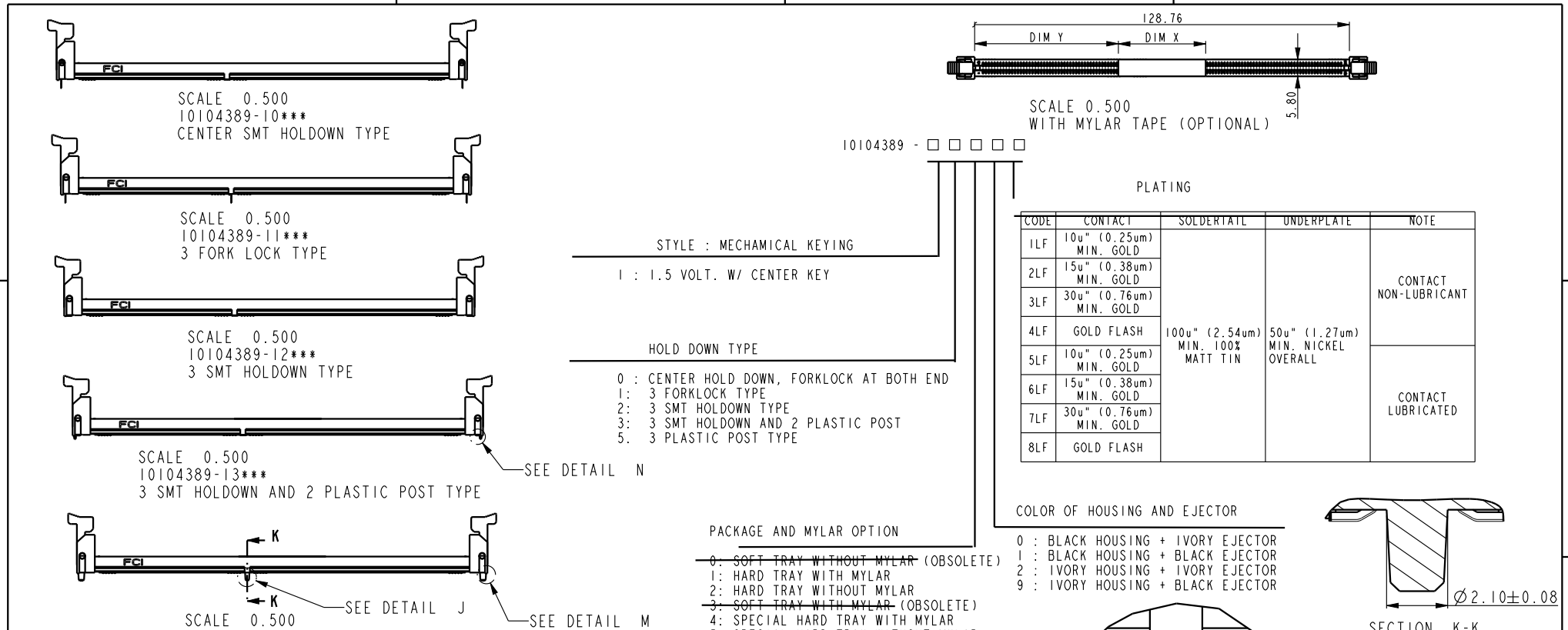
dr	Rick Bian	2010/07/04	projection 	MM ←→	size	A4	scale	1.000	
eng	Jeny Ren	2017/12/28			ecn no	ELX-DG-28885-1			
chr	-	-			rel level	Released			
appr	Nickor Zuo	2018/02/09	product family		rev	F			
Amphenol FCI		title			DDR III SMT SOCKET ASS'Y		dwg no		10104389
www.fci.com		cat. no.			Product - Customer Drw		sheet 3 of 4		
		(WITH LCP HOUSING)							

A

B

C

D



NOTES:

- MATERIAL:
HOUSING: HIGH PERFORMANCE RESINS, GLASS FILLED UL94V-0 RATED.
EJECTOR: HIGH PERFORMANCE RESINS, GLASS FILLED UL94V-0 RATED.
TERMINAL: HIGH PERFORMANCE COPPER ALLOY
METAL CLIP: COPPER ALLOY.
- FCI LOGO TO BE APPROXIMATELY LOCATED AS SHOWN ON PRINT.
- PRODUCT SPECIFICATION: GS-12-486.
- PACKAGING SPECIFICATION: GS-14-899.
- RECOMMENDED STENCIL THICKNESS NO LESS THAN 0.15 mm.
- FOR OPTIMUM PERFORMANCE. THE TIE BAR IS TO BE ON AN INTERNAL LAYER SO THAT THE REMNANT CANNOT CAUSE CONTACT DAMAGE.
- THE DATE CODE IS SHOWN "MMDDYY*.". "*" MEANS PRODUCTION LINE.
- THIS PRODUCT MEETS EUROPEAN UNION DIRECTIVES AND OTHER COUNTRY REGULATIONS AS DESCRIBED IN GS-22-008.
- THE HOUSING WILL WITH STAND EXPOSURE TO 260°C PEAK TEMPERATURE FOR 10 SECONDS IN AN IR REFLOW SOLDERING APPLICATION.
- PRODUCT APPLICATION SPEC GS-20-089.
- THE HOLDOWN TYPES ARE OPTION FOR HOLDOWN OR FORKLOCK.

PACKAGE AND MYLAR OPTION

- SOFT TRAY WITHOUT MYLAR (OBSOLETE)
- HARD TRAY WITH MYLAR
- HARD TRAY WITHOUT MYLAR
- SOFT TRAY WITH MYLAR (OBSOLETE)
- SPECIAL HARD TRAY WITH MYLAR
- SPECIAL HARD TRAY WITHOUT MYLAR
- SPECIAL HARD TRAY WITH MYLAR(24PCS/TRAY)

dr	Rick Bian	2010/07/04	projection	MM	size	A4	scale	1.000
eng	Jeny Ren	2017/12/28			ecn no ELX-DG-28885-1			
chr	-	-			rel level Released			
appr	Nickor Zuo	2018/02/09	product family		rev F			
Amphenol FCI		title			dwg no		rev	
www.fci.com		DDR III SMT SOCKET ASS'Y (WITH LCP HOUSING)			10104389		F	
cat. no.		Product - Customer Drw			sheet 4 of 4			