



Chipsmall Limited consists of a professional team with an average of over 10 year of expertise in the distribution of electronic components. Based in Hongkong, we have already established firm and mutual-benefit business relationships with customers from,Europe,America and south Asia,supplying obsolete and hard-to-find components to meet their specific needs.

With the principle of “Quality Parts,Customers Priority,Honest Operation,and Considerate Service”,our business mainly focus on the distribution of electronic components. Line cards we deal with include Microchip,ALPS,ROHM,Xilinx,Pulse,ON,Everlight and Freescale. Main products comprise IC,Modules,Potentiometer,IC Socket,Relay,Connector.Our parts cover such applications as commercial,industrial, and automotives areas.

We are looking forward to setting up business relationship with you and hope to provide you with the best service and solution. Let us make a better world for our industry!



Contact us

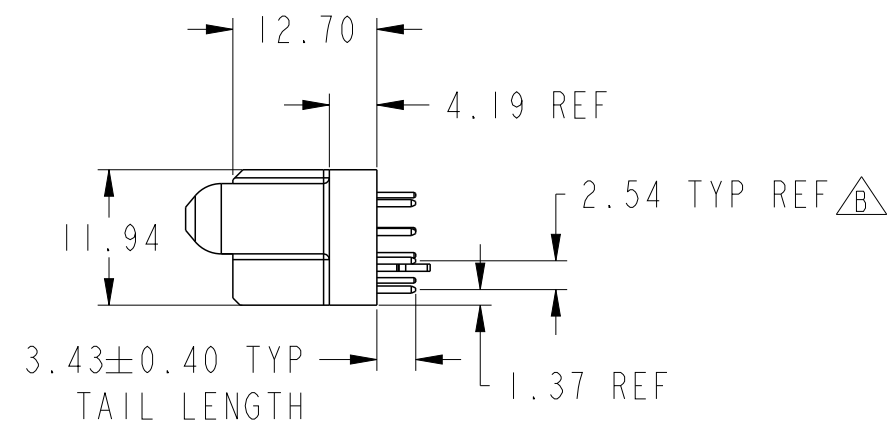
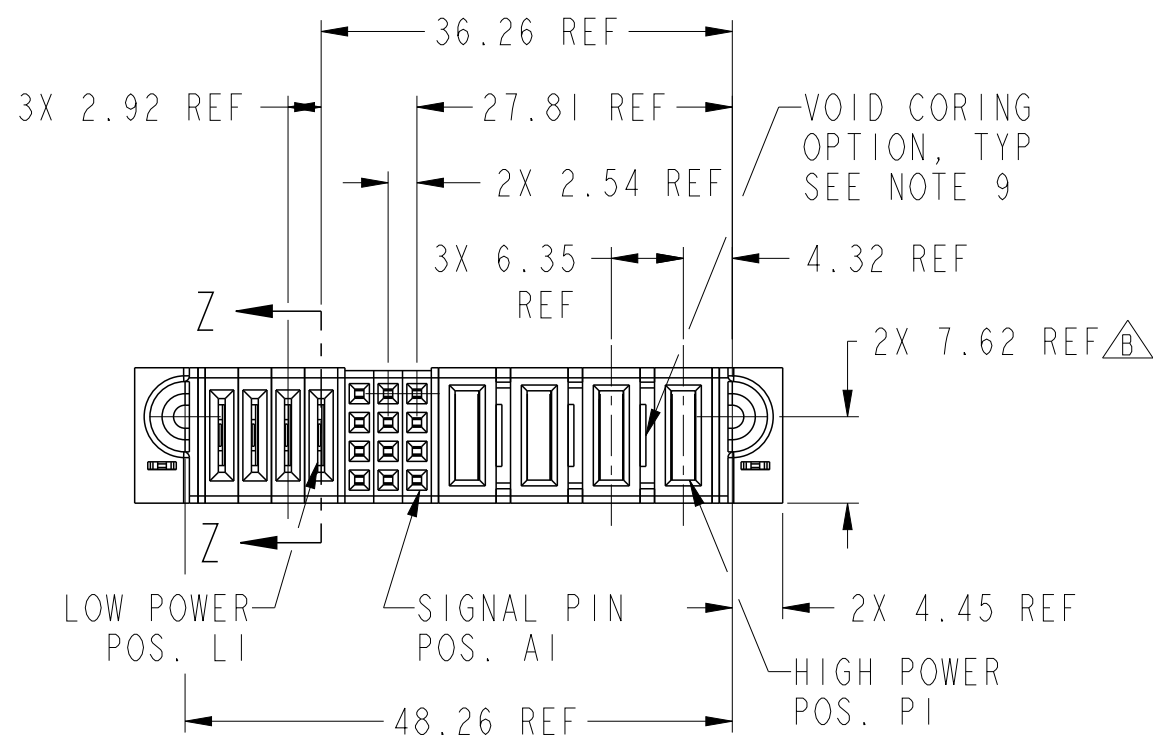
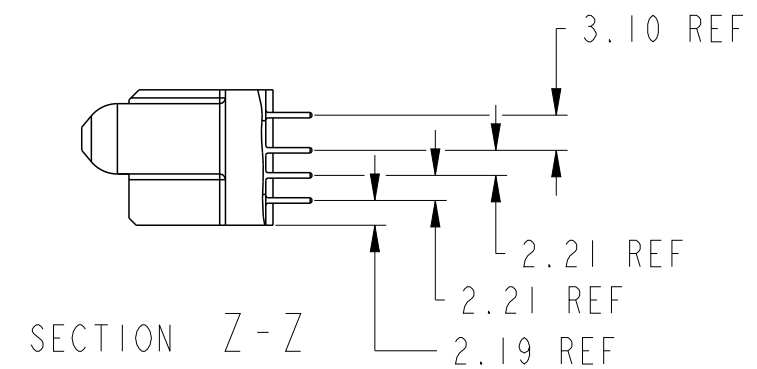
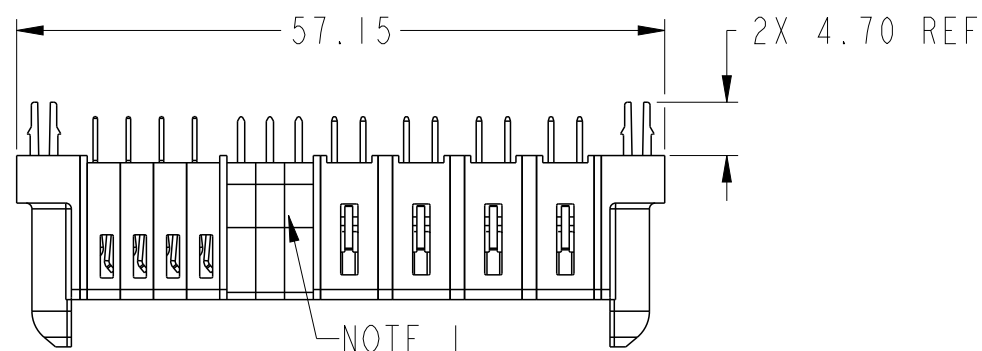
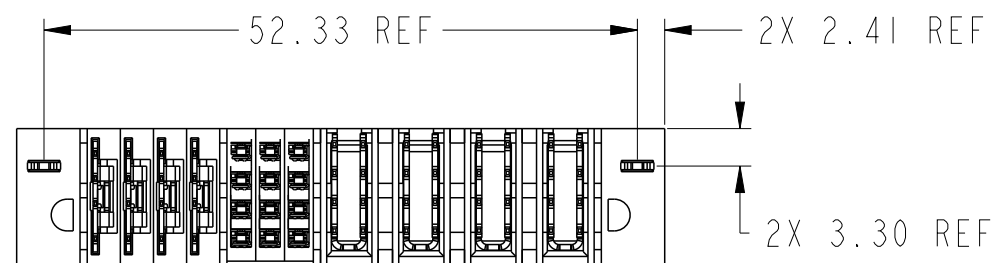
Tel: +86-755-8981 8866 Fax: +86-755-8427 6832

Email & Skype: info@chipsmall.com Web: www.chipsmall.com

Address: A1208, Overseas Decoration Building, #122 Zhenhua RD., Futian, Shenzhen, China



PRODUCT NUMBER SEE SHEET 2



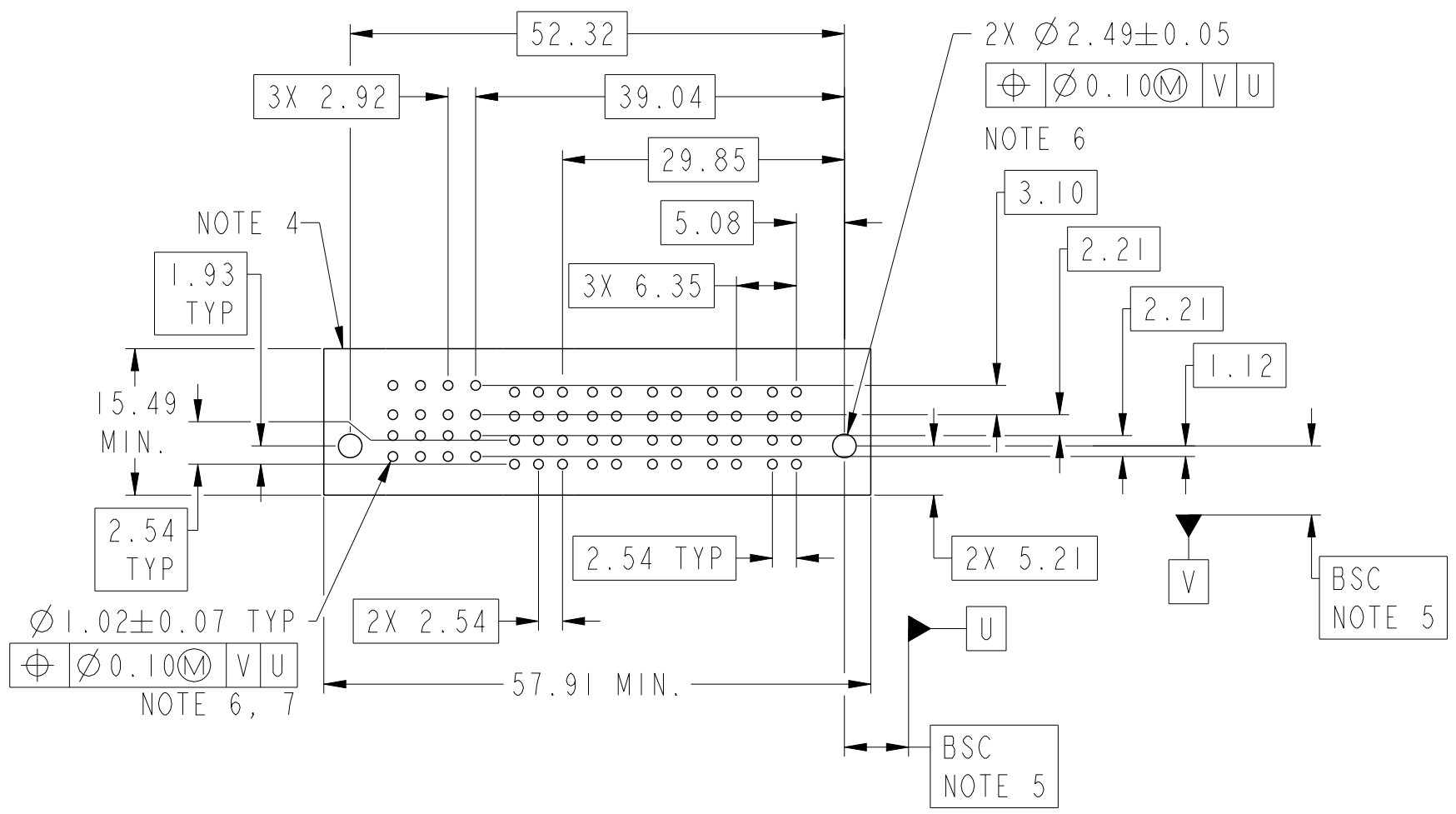
spec ref		dr	Peng-Bing Fu	2012/05/16	projection	MM	size	A3	scale	3:2	
tolerance std ASME Y14.5		TOLERANCES UNLESS OTHERWISE SPECIFIED			eng	Peng-Bing Fu	2012/11/12	ecn no ELX-DG-013146-1			
surface ✓ ASME Y14.5		linear		0.X	±0.50	chr	Tian-Xu Huang	2012/11/13	product family PowerBlade+		rel level Released
				0.XX	±0.25						
		angular		0°	±2°	appr	Pei-Ming Zheng	2012/11/13	product family PowerBlade+		rel level Released
				www.fci.com		cat. no.		Product - Customer Drw		sheet 1 of 3	
				FCj		4HP + 12S + 4LP		VT STB RECEPTACLE		rev B	
						dwg no 10106130-4403001					



Copyright FCI.

PRODUCT NO.	ROWS	LP				S			HIGH POWER				E2	
		E1	L4	L3	L2	L1	3	2	1	P4	P3	P2		P1
10106130-4403001LF	DCBA													

CODE	DESCRIPTION
E	STD SIGNAL CONTACT
H3	STD HIGH POWER CONTACT (3.43)
H6	MFBL HIGH POWER CONTACT (3.43)
HA	METAL HOLD DOWN
LR	STD LOW POWER CONTACT (3.43)



Copyright FCI.

dr	Peng-Bing Fu	2012/05/16	projection		size	A3	scale	3:2			
eng	Peng-Bing Fu	2012/11/12			ecn no	ELX-DG-013146-1					
chr	Tian-Xu Huang	2012/11/13			rel level	Released					
appr	Pei-Ming Zheng	2012/11/13	product family	PowerBlade+							
		title			4HP + 12S + 4LP		dwg no		10106130-4403001	rev	B
www.fci.com		cat. no.			Product - Customer Drw			sheet 2 of 3			

1

2

3

4

A

B

C

D


A

B

C

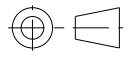
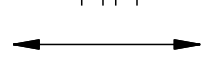

D

NOTES:

- 1) "FCI", PART NUMBER AND DATE CODE TO BE MARKED ON THIS SURFACE.
THE P/N CAN BE OMITTED IF THERE IS NOT ENOUGH SPACE ON THIS SURFACE.
- 2) MATERIALS:
-HOUSING - GLASS FILLED WITH HIGH TEMP THERMOPLASTIC, UL94V-0.
-SIGNAL CONTACT - COPPER ALLOY.
-POWER CONTACT - HIGH CONDUCTIVITY COPPER ALLOY.
- 3) PLATING SPECIFICATION REFER TO FCI 10116351
- 4) DENOTES CONNECTOR KEEP OUT ZONE.
- 5) DATUM AND BASIC DIMENSIONS WERE ESTABLISHED BY CUSTOMER.
- 6) ALL HOLE DIAMETERS ARE FINISHED HOLE SIZES.
- 7) 1.15 ± 0.025 MM DRILLED HOLE PLATED WITH 0.00762MM MIN Sn
OVER 0.0254-0.0762MM Cu PLATING TO ACHIEVE A 1.02 ± 0.07 MM HOLE.
- 8) PRODUCT SPECIFICATION REFER TO FCI GS-12-658.
APPLICATION SPECIFICATION REFER TO FCI GS-20-141.
PRODUCT PACKAGED IN TRAYS, REFER TO FCI GS-14-1502.
- 9) THE VOID CORING IN BETWEEN POWER MODULES, SIGNAL
MODULES AND END MODULES ARE OPTIONAL AND THE SHAPE
MAY BE DIFFERENT FOR OPTIMIZE THE MOLDING PROCESS. THE
VOID CORING WILL NOT EFFECT TO PRODUCT FUNCTION.
- 10) A  SYMBOL WILL BE NEXT TO ANY DIMENSION, VIEW, OR NOTE WHICH HAS
BEEN MODIFIED WITH THE CURRENT DRAWING REVISION.



Copyright FCI.

dr	Peng-Bing Fu	2012/05/16	projection 	MM 	size	A3	scale	1:1	
eng	Peng-Bing Fu	2012/11/12			ecn no	ELX-DG-013146-1			
chr	Tian-Xu Huang	2012/11/13			product family	PowerBlade+	rel level	Released	
appr	Pei-Ming Zheng	2012/11/13							
		4HP + 12S + 4LP			dwg no	10106130-4403001		rev	B
www.fci.com		cat. no.	Product - Customer Drw			sheet 3 of 3			

2

3

PDS: Rev :B

STATUS:Released

Printed: Nov 14, 2012