



Chipsmall Limited consists of a professional team with an average of over 10 year of expertise in the distribution of electronic components. Based in Hongkong, we have already established firm and mutual-benefit business relationships with customers from,Europe,America and south Asia,supplying obsolete and hard-to-find components to meet their specific needs.

With the principle of “Quality Parts,Customers Priority,Honest Operation,and Considerate Service”,our business mainly focus on the distribution of electronic components. Line cards we deal with include Microchip,ALPS,ROHM,Xilinx,Pulse,ON,Everlight and Freescale. Main products comprise IC,Modules,Potentiometer,IC Socket,Relay,Connector.Our parts cover such applications as commercial,industrial, and automotives areas.

We are looking forward to setting up business relationship with you and hope to provide you with the best service and solution. Let us make a better world for our industry!



## Contact us

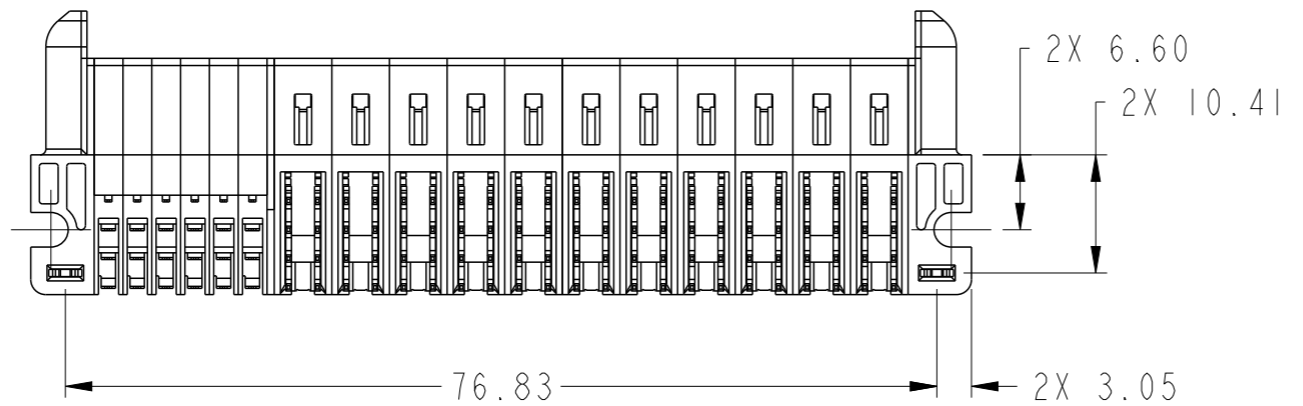
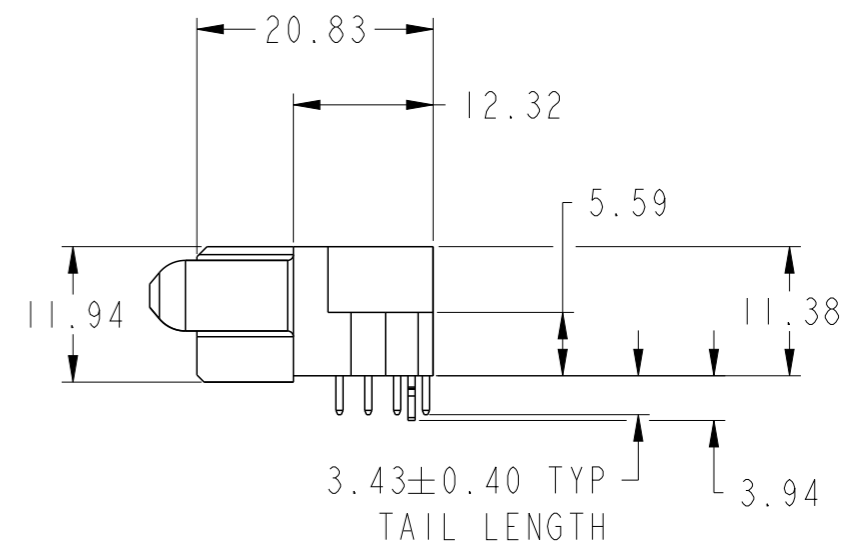
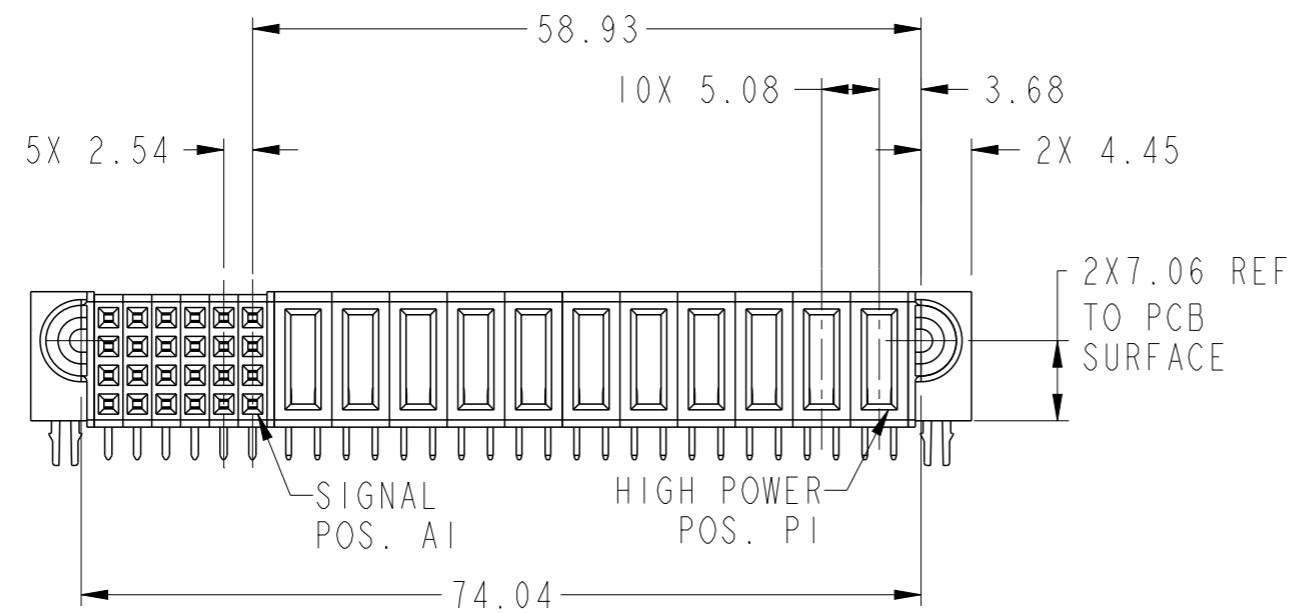
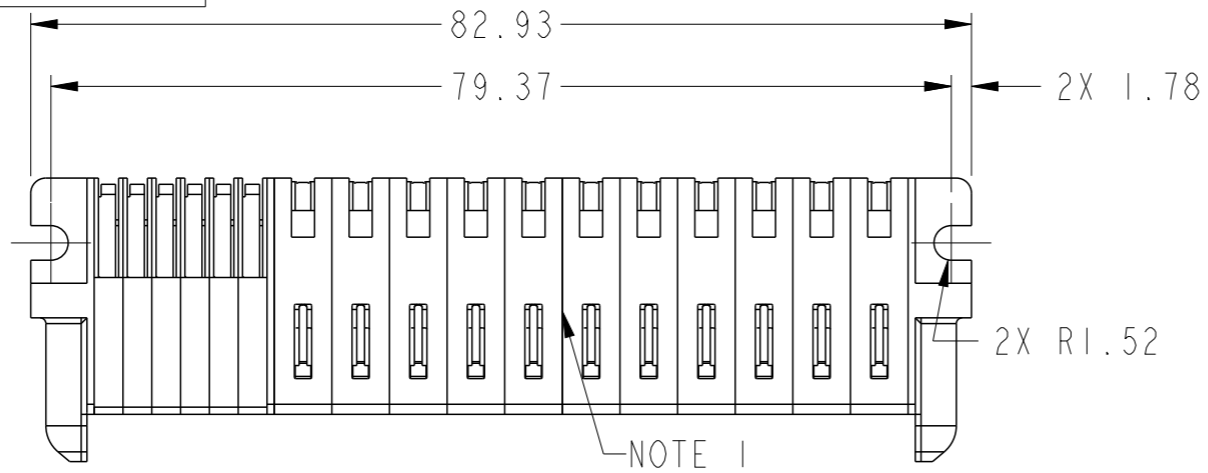
Tel: +86-755-8981 8866 Fax: +86-755-8427 6832

Email & Skype: info@chipsmall.com Web: www.chipsmall.com

Address: A1208, Overseas Decoration Building, #122 Zhenhua RD., Futian, Shenzhen, China



PRODUCT NUMBER SEE SHEET 2



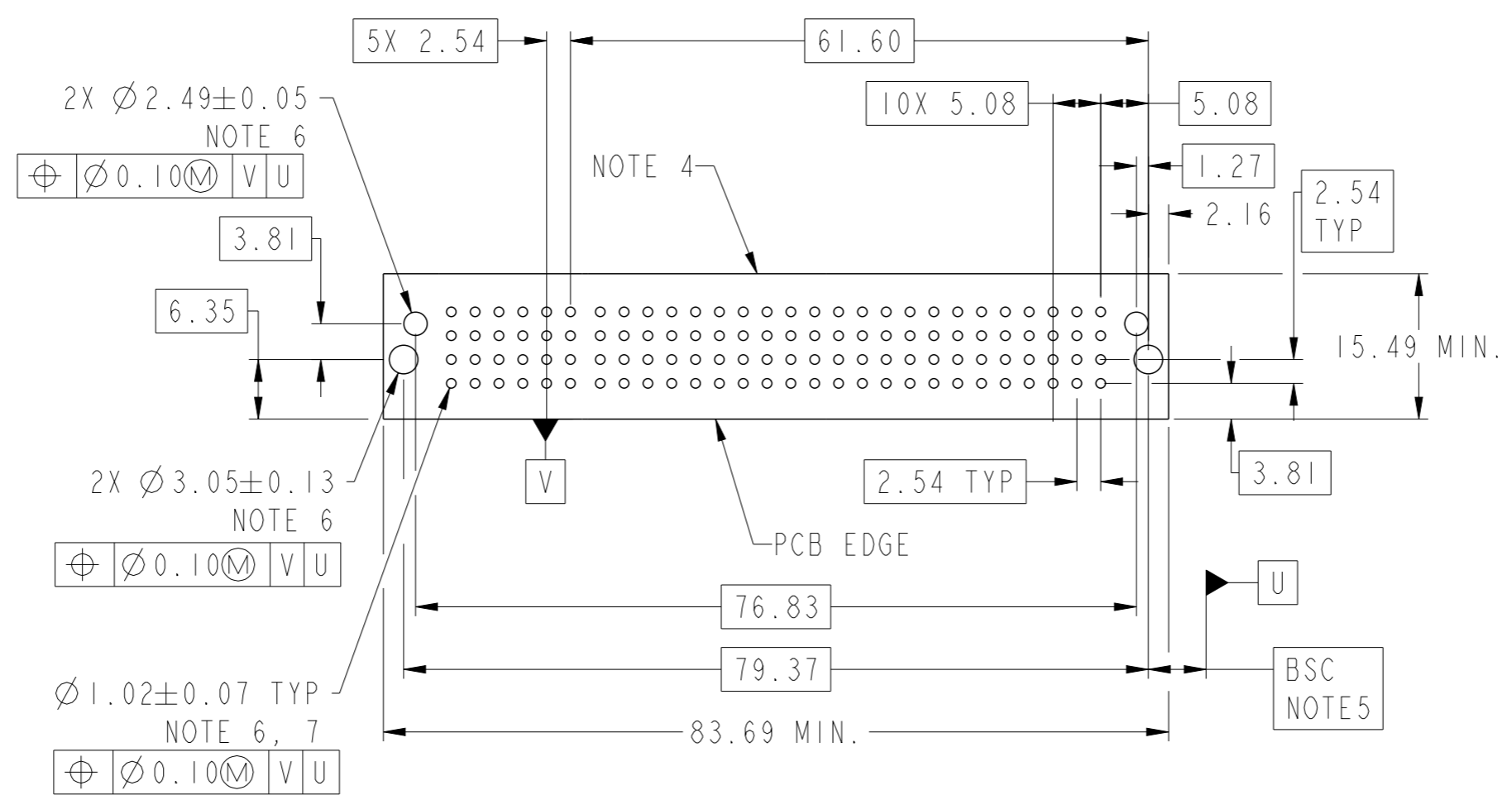
Copyright FCI.



spec ref	*	dr	Peng-Bing Fu	2013/02/21	projection	MM	size	A3	scale	3:2
tolerance std	ASME Y14.5	eng	Peng-Bing Fu	2013/03/12			ecn no	-	rel level	Released
TOLERANCES UNLESS OTHERWISE SPECIFIED		chr	-	-			product family	PwrBlade+	rel level	Released
surface	<input checked="" type="checkbox"/> linear <input type="checkbox"/> angular	0.X ±0.5 0.XX ±0.25 0.XXX ±0.10			title 11HDP+24S RASTB RECEPTACLE		dwg no 10106134-B006001	rev A	www.fci.com cat. no. Product - Customer Drw sheet 1 of 3	

PRODUCT NO.	ROWS	SIGNAL						HIGH POWER											E2																																								
		E1	6	5	4	3	2	1	P11	P10	P9	P8	P7	P6	P5	P4	P3	P2		P1																																							
10106134-B006001LF	D C B A	<table border="1"> <tr><td>H</td><td>H</td><td>H</td><td>H</td><td>H</td><td>H</td><td>H</td></tr> <tr><td>G</td><td>G</td><td>G</td><td>G</td><td>G</td><td>G</td><td>G</td></tr> <tr><td>F</td><td>F</td><td>F</td><td>F</td><td>F</td><td>F</td><td>F</td></tr> <tr><td>E</td><td>E</td><td>E</td><td>E</td><td>E</td><td>E</td><td>E</td></tr> </table>						H	H	H	H	H	H	H	G	G	G	G	G	G	G	F	F	F	F	F	F	F	E	E	E	E	E	E	E	<table border="1"> <tr><td>H3</td><td>H3</td><td>H3</td><td>H3</td><td>H3</td><td>H3</td><td>H3</td><td>H3</td><td>H3</td><td>H3</td><td>H3</td><td>H3</td><td>H3</td></tr> </table>											H3	H3	H3	H3	H3	H3	H3	H3	H3	H3	H3	H3	H3
H	H	H	H	H	H	H																																																					
G	G	G	G	G	G	G																																																					
F	F	F	F	F	F	F																																																					
E	E	E	E	E	E	E																																																					
H3	H3	H3	H3	H3	H3	H3	H3	H3	H3	H3	H3	H3																																															

CODE	DESCRIPTION
E	STD SIGNAL CONTACT, ROW A
F	STD SIGNAL CONTACT, ROW B
G	STD SIGNAL CONTACT, ROW C
H	STD SIGNAL CONTACT, ROW D
H3	STD HIGH POWER CONTACT(3.43)
HA	METAL HOLD DOWN



Copyright FCI.

dr	Peng-Bing Fu	2013/02/21	projection	MM	size	A3	scale	3:2
eng	Peng-Bing Fu	2013/03/12			ecn no	-	rel level	Released
chr	-	-						
appr	Pei-Ming Zheng	2013/03/12	product family	PwrBlade+				
			title 11HDP+24S RASTB RECEPTACLE		dwg no 10106134-B006001	rev A		
www.fci.com			cat. no.		Product - Customer Drw		sheet 2 of 3	

NOTES:

- 1) "FCI", PART NUMBER AND DATE CODE TO BE MARKED ON THIS SURFACE.  
THE MARK CAN BE OMITTED IF THERE IS NOT ENOUGH SPACE ON THIS SURFACE.
- 2) MATERIALS:  
-HOUSING - GLASS FILLED WITH HIGH TEMP THERMOPLASTIC, UL94V-0.  
-SIGNAL CONTACT - COPPER ALLOY.  
-POWER CONTACT - HIGH CONDUCTIVITY COPPER ALLOY.
- 3) PLATING SPECIFICATION REFER TO FCI 10116351
- 4) DENOTES CONNECTOR KEEP OUT ZONE.
- 5) DATUM AND BASIC DIMENIONS WERE ESTABLISHED BY CUSTOMER.
- 6) ALL HOLE DIAMETERS ARE FINISHED HOLE SIZES.
- 7)  $1.15 \pm 0.025$ MM DRILLED HOLE PLATED WITH 0.00762MM MIN Sn  
OVER 0.0254-0.0762MM Cu PLATING TO ACHIEVE A  $1.02 \pm 0.07$ MM HOLE.
- 8) PRODUCT SPECIFICATION REFER TO FCI GS-12-658.  
APPLICATION SPECIFICATION REFER TO FCI GS-20-141.  
PRODUCT PACKAGED IN TRAYS, REFER TO FCI GS-14-1502.
- 9) THE VOID CORING IN BETWEEN POWER MODULES, SIGNAL  
MODULES AND END MODULES ARE OPTIONAL AND THE SHAPE  
MAY BE DIFFERENT FOR OPTIMIZE THE MOLDING PROCESS. THE  
VOID CORING WILL NOT EFFECT TO PRODUCT FUNCTION.

dr	Peng-Bing Fu	2013/02/21	projection 	MM ←————→	size	A3	scale	3:2
eng	Peng-Bing Fu	2013/03/12			ecn no	-		
chr	-	-	product family	PwrBlade+	rel level	Released		
appr	Pei-Ming Zheng	2013/03/12			title 11HDP+24S RASTB RECEPTACLE	dwg no 10106134-B006001	rev A	www.fci.com
cat. no.			Product - Customer Drw			sheet 3 of 3		

