



Chipsmall Limited consists of a professional team with an average of over 10 year of expertise in the distribution of electronic components. Based in Hongkong, we have already established firm and mutual-benefit business relationships with customers from,Europe,America and south Asia,supplying obsolete and hard-to-find components to meet their specific needs.

With the principle of “Quality Parts,Customers Priority,Honest Operation,and Considerate Service”,our business mainly focus on the distribution of electronic components. Line cards we deal with include Microchip,ALPS,ROHM,Xilinx,Pulse,ON,Everlight and Freescale. Main products comprise IC,Modules,Potentiometer,IC Socket,Relay,Connector.Our parts cover such applications as commercial,industrial, and automotives areas.

We are looking forward to setting up business relationship with you and hope to provide you with the best service and solution. Let us make a better world for our industry!



Contact us

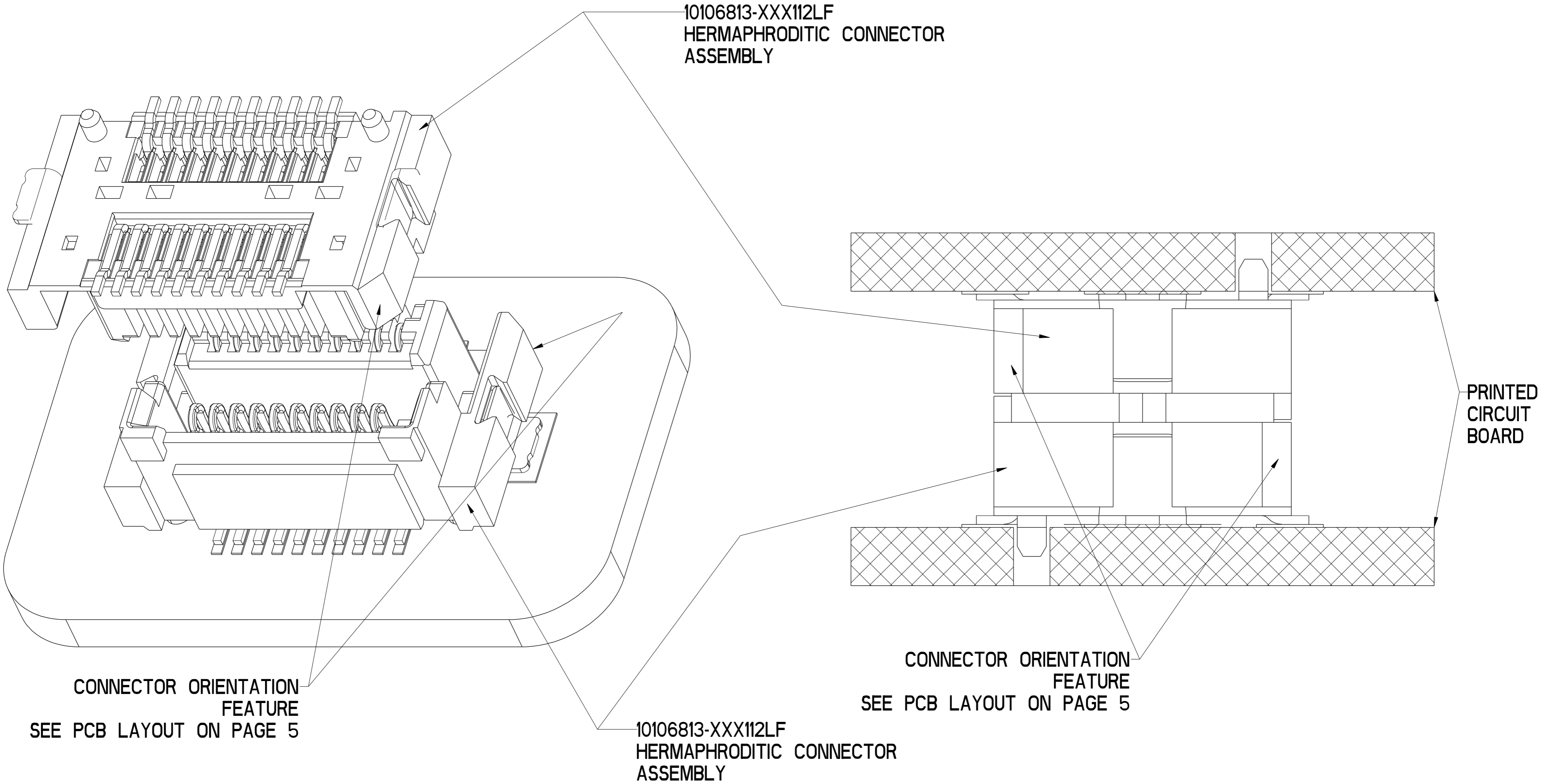
Tel: +86-755-8981 8866 Fax: +86-755-8427 6832

Email & Skype: info@chipsmall.com Web: www.chipsmall.com

Address: A1208, Overseas Decoration Building, #122 Zhenhua RD., Futian, Shenzhen, China



PRODUCT NUMBER
10106813-XXX112LF



10106813-XXX112LF
HERMAPHRODITIC CONNECTOR
ASSEMBLY

PRINTED
CIRCUIT
BOARD

CONNECTOR ORIENTATION
FEATURE
SEE PCB LAYOUT ON PAGE 5

CONNECTOR ORIENTATION
FEATURE
SEE PCB LAYOUT ON PAGE 5

10106813-XXX112LF
HERMAPHRODITIC CONNECTOR
ASSEMBLY

Amphenol
FCi

© 2016 AFci

spec ref	---	dr	Stu Stoner	2010/11/18	projection	mm	size	A2	scale	10:1								
tolerance std	---	eng	Laurence Zang	2016/12/02		mm	ecn no	ELX-N-25520-1	rel level	Released								
---	TOLERANCES UNLESS OTHERWISE SPECIFIED	chr	-	---														
---		appr	Tim Yao	2016/12/05	product family	MezzoStak	rel level	Released										
surface	<table border="1"> <tr> <td>linear</td> <td>0.X</td> <td>±0.3</td> </tr> <tr> <td></td> <td>0.XX</td> <td>±0.10</td> </tr> <tr> <td></td> <td>0.XXX</td> <td>±0.05</td> </tr> <tr> <td>angular</td> <td>0°</td> <td>±2°</td> </tr> </table>	linear	0.X	±0.3		0.XX	±0.10		0.XXX	±0.05	angular	0°	±2°		Amphenol FCI HERMAPHRODITIC CONNECTOR, LONG STYLE 20-70 POS, 0.50 CTR, 4-7MM STACK HT www.fci.com	title 10106813 Product - Customer Draw	rev F	sheet 1 of 7
linear	0.X	±0.3																
	0.XX	±0.10																
	0.XXX	±0.05																
angular	0°	±2°																

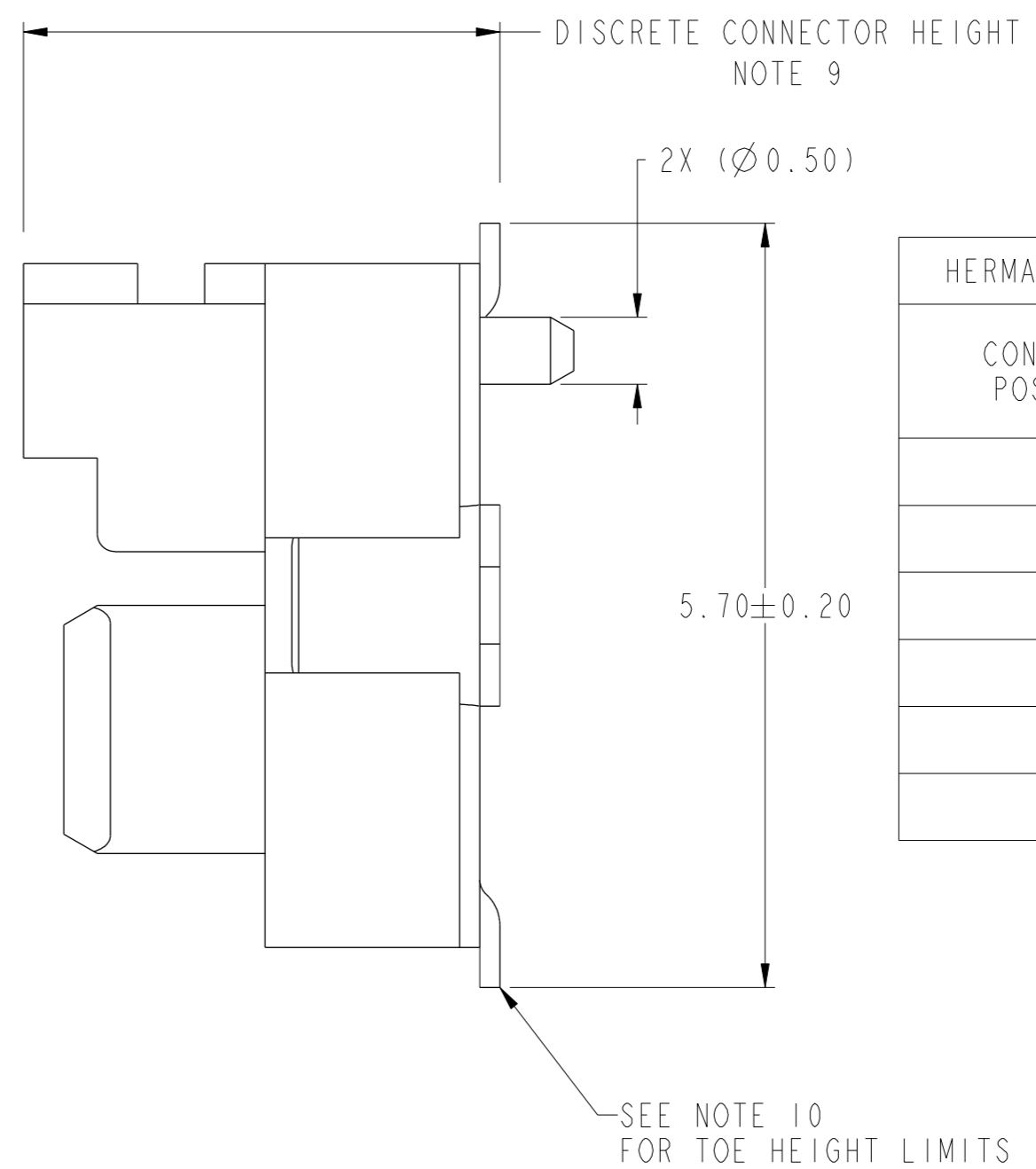
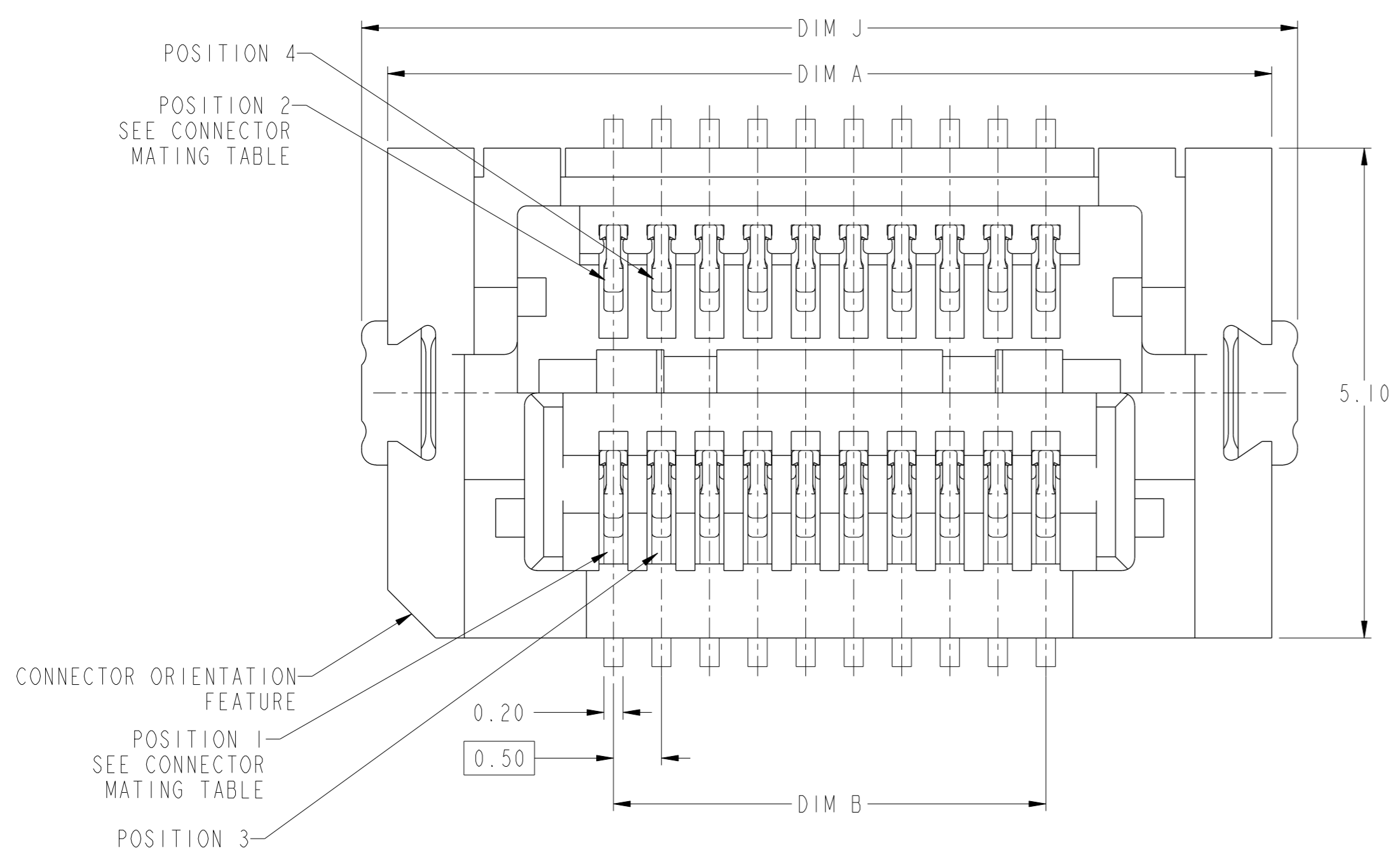
PDS: Rev :F

STATUS:Released

Printed: Dec 09, 2016

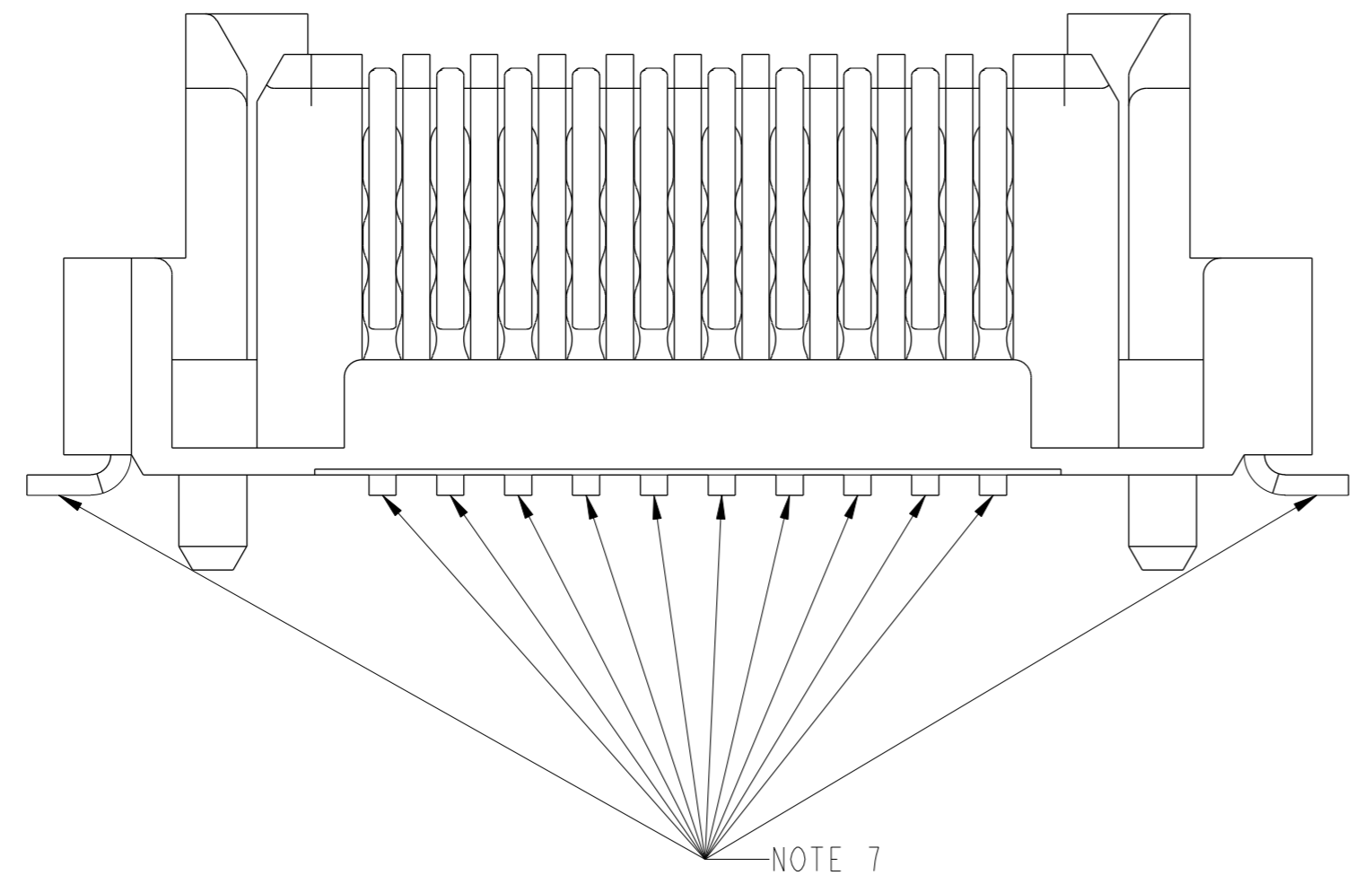
1 2 3 4 5 6 7 8

A B C D E F



HERMAPHRODITIC CONNECTOR MATING	
CONNECTOR POSITION	MATES WITH CONNECTOR POSITION
1	2
3	4
5	6
7	8
9	10
ETC.	

10106813-021112LF SHOWN
WITHOUT STANDARD PICK-UP CAP



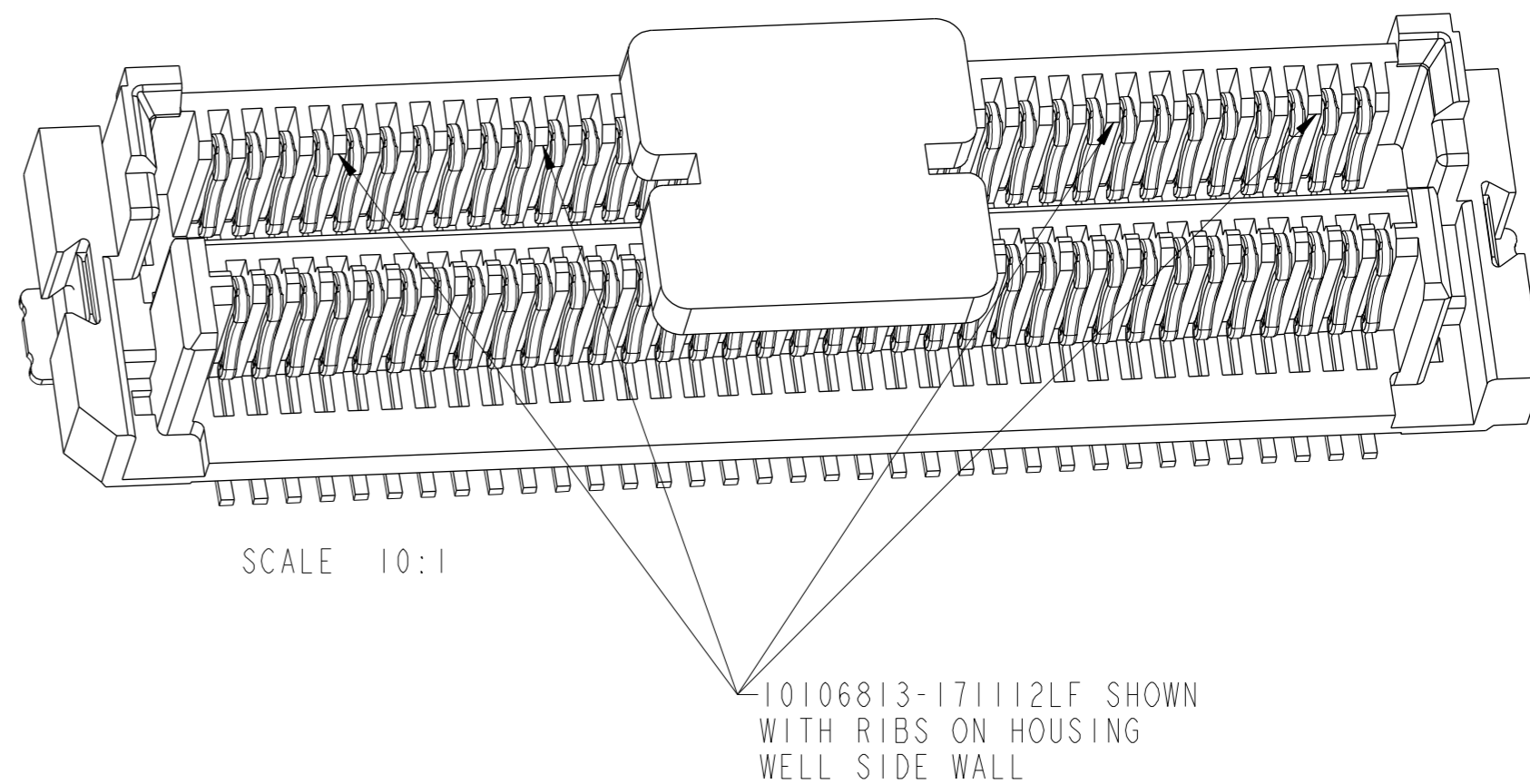
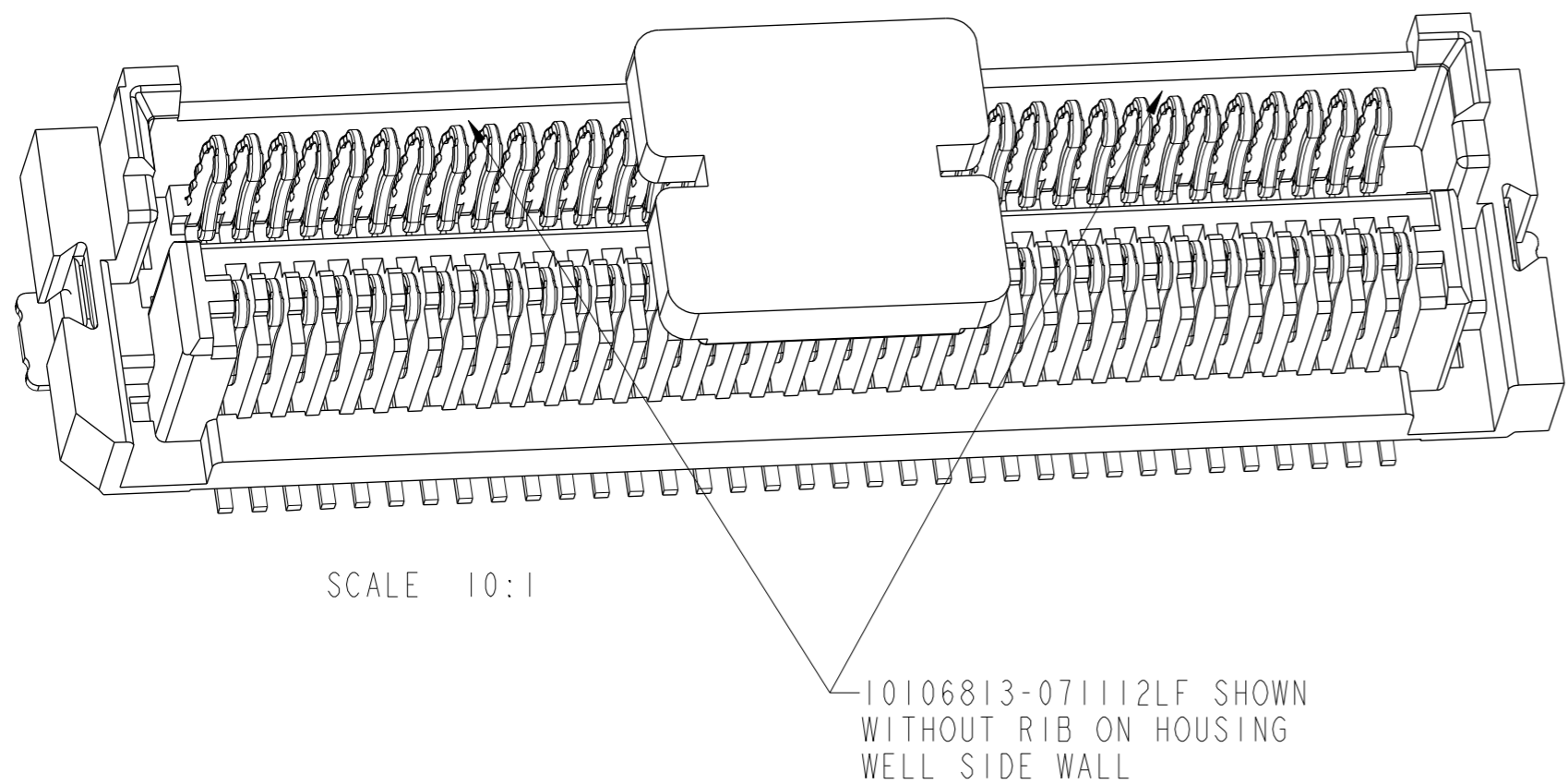
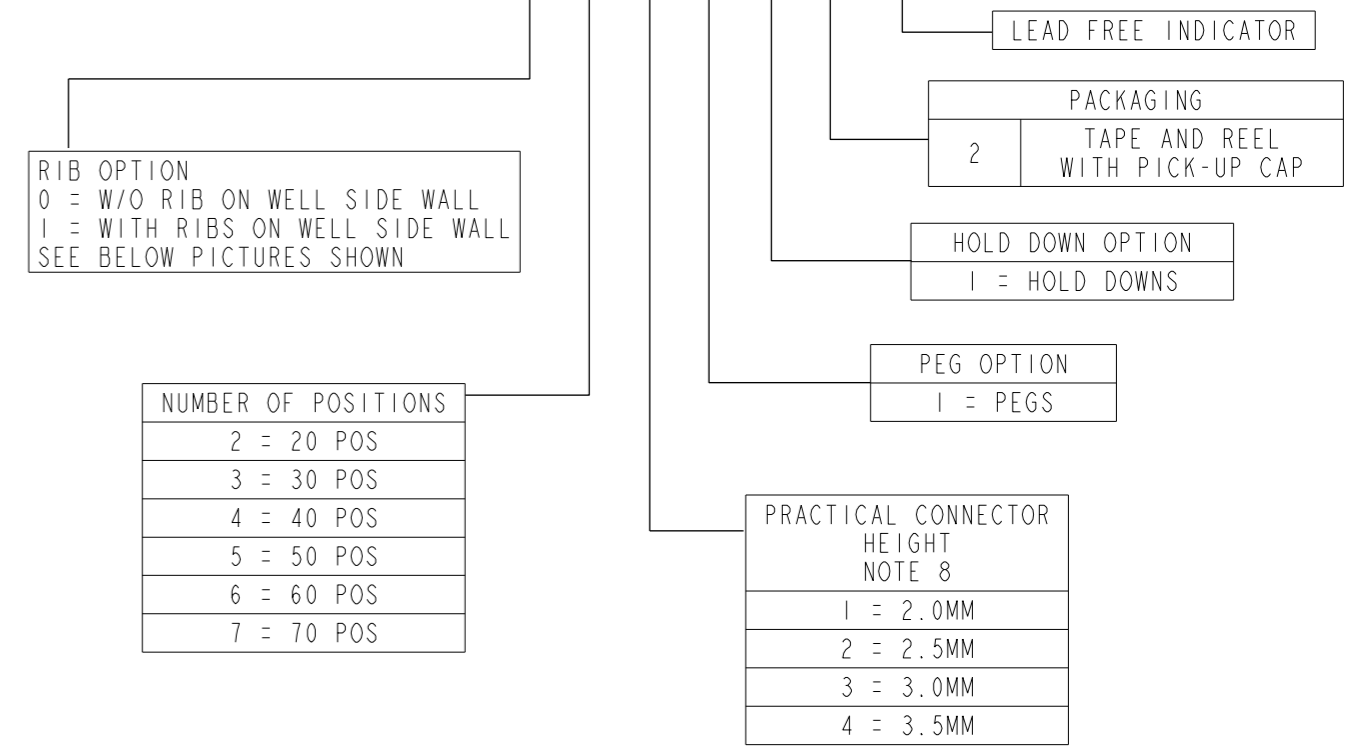
spec ref	---	dr	Stu Stoner	2010/11/18	projection	mm	size	A2	scale	10:1								
tolerance std	---	eng	Laurence Zang	2016/12/02		mm	ecn no	ELX-N-25520-1	rel level	Released								
---	TOLERANCES UNLESS OTHERWISE SPECIFIED	chr	-															
---		appr	Tim Yao	2016/12/05							product family	MezzoStak						
surface	<table border="1"> <tr> <td>linear</td> <td>0.X</td> <td>±0.3</td> </tr> <tr> <td></td> <td>0.XX</td> <td>±0.10</td> </tr> <tr> <td></td> <td>0.XXX</td> <td>±0.05</td> </tr> <tr> <td>angular</td> <td>0°</td> <td>±2°</td> </tr> </table>	linear	0.X	±0.3		0.XX	±0.10		0.XXX	±0.05	angular	0°	±2°		Amphenol FCI HERMAPHRODITIC CONNECTOR, LONG STYLE 20-70 POS, 0.50 CTR, 4-7MM STACK HT www.fci.com	cat. no.	title 10106813	rev F
linear	0.X	±0.3																
	0.XX	±0.10																
	0.XXX	±0.05																
angular	0°	±2°																
---		Product - Customer Drw		sheet 2 of 7														

Amphenol FCI
© 2016 AFCI

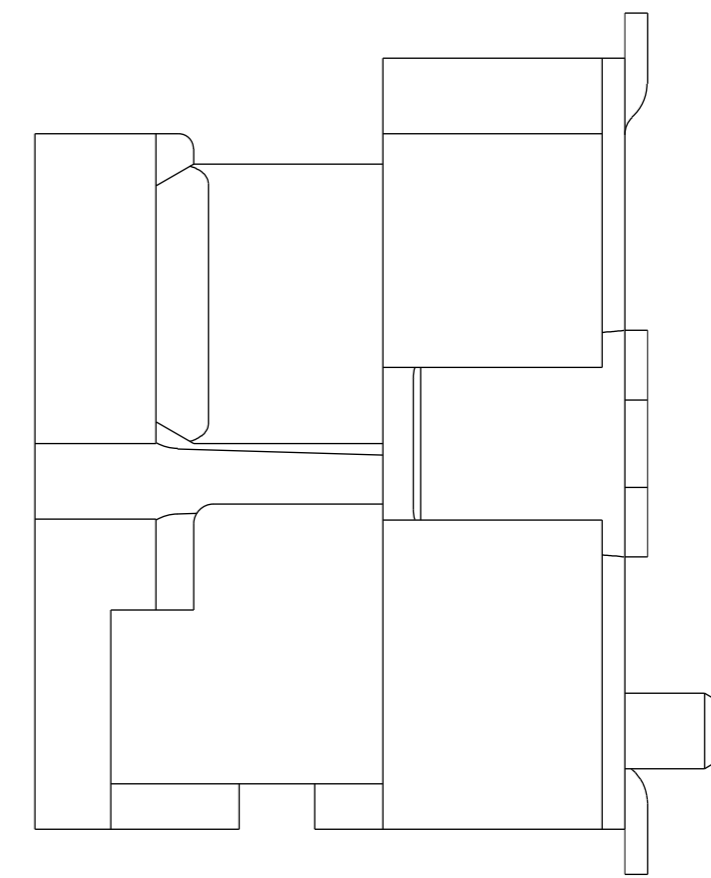
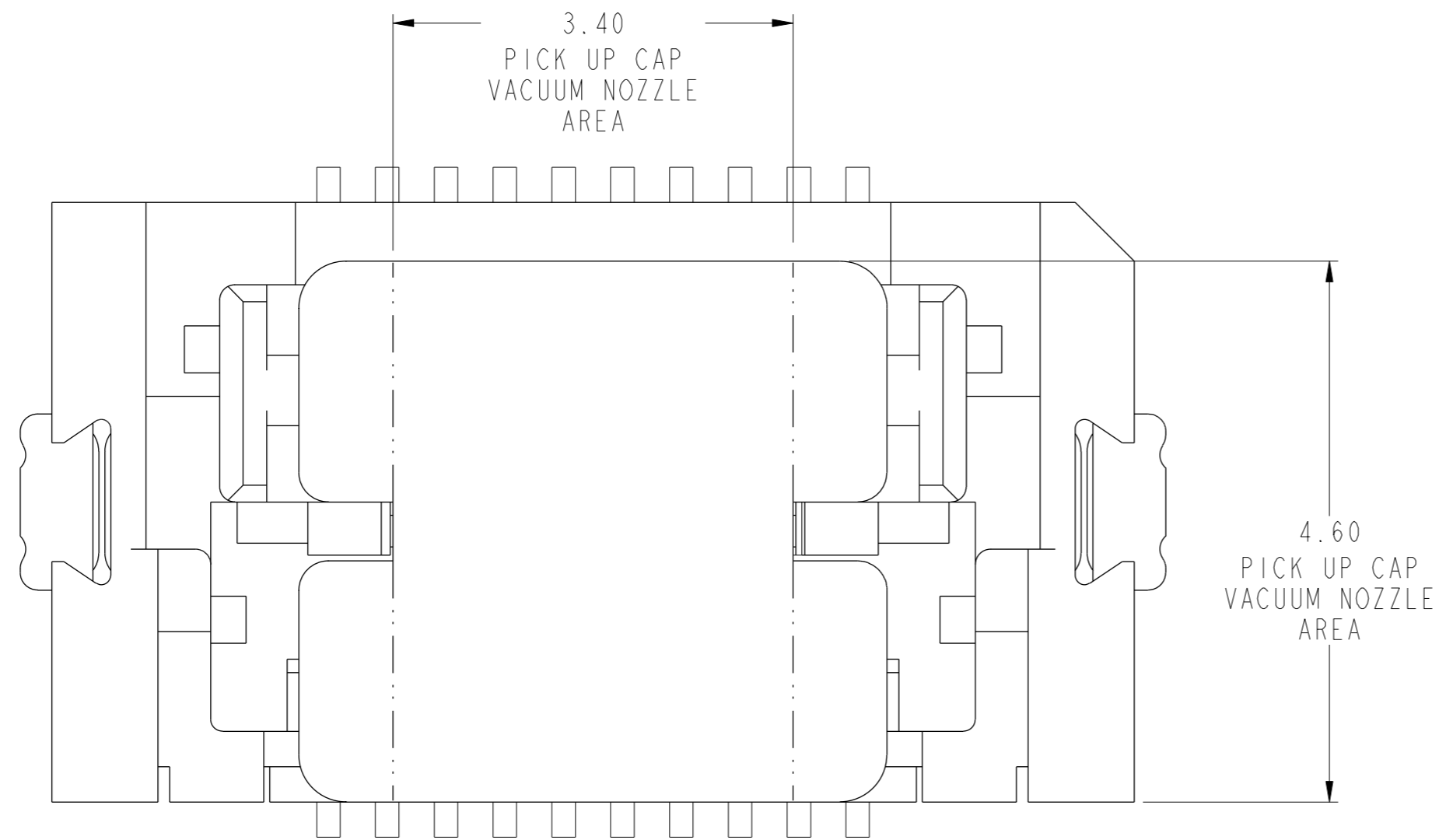
PRODUCT NUMBER	NUMBER OF POSITIONS	DIM A	DIM B	DIM J	CONNECTOR LOCATING PEGS	CONNECTOR HOLD DOWNS	DISCRETE CONNECTOR HEIGHT NOTE 9	PRACTICAL CONNECTOR HEIGHT NOTE 8	STATUS
10106813-021112LF	20	9.20	4.50	9.74	YES	YES	3.55	2.00	RELEASED
10106813-031112LF	30	11.70	7.00	12.24					
10106813-041112LF	40	14.20	9.50	14.74					
10106813-051112LF	50	16.70	12.00	17.24					
10106813-061112LF	60	19.20	14.50	19.74					
10106813-071112LF	70	21.70	17.00	22.24					
10106813-171112LF	70	21.70	17.00	22.24					
10106813-022112LF	20	9.20	4.50	9.74	YES	YES	4.05	2.50	UN-RELEASED
10106813-032112LF	30	11.70	7.00	12.24					
10106813-042112LF	40	14.20	9.50	14.74					
10106813-052112LF	50	16.70	12.00	17.24					
10106813-062112LF	60	19.20	14.50	19.74					
10106813-072112LF	70	21.70	17.00	22.24					
10106813-023112LF	20	9.20	4.50	9.74					
10106813-033112LF	30	11.70	7.00	12.24					
10106813-043112LF	40	14.20	9.50	14.74					
10106813-053112LF	50	16.70	12.00	17.24					
10106813-063112LF	60	19.20	14.50	19.74					
10106813-073112LF	70	21.70	17.00	22.24					
10106813-173112LF	70	21.70	17.00	22.24					
10106813-024112LF	20	9.20	4.50	9.74	YES	YES	5.05	3.50	RELEASED
10106813-034112LF	30	11.70	7.00	12.24					
10106813-044112LF	40	14.20	9.50	14.74					
10106813-054112LF	50	16.70	12.00	17.24					
10106813-064112LF	60	19.20	14.50	19.74					
10106813-074112LF	70	21.70	17.00	22.24					
10106813-174112LF	70	21.70	17.00	22.24					

0.5 BTB HERMAPHRODITIC CONNECTOR ASSEMBLY PART NUMBER SCHEME

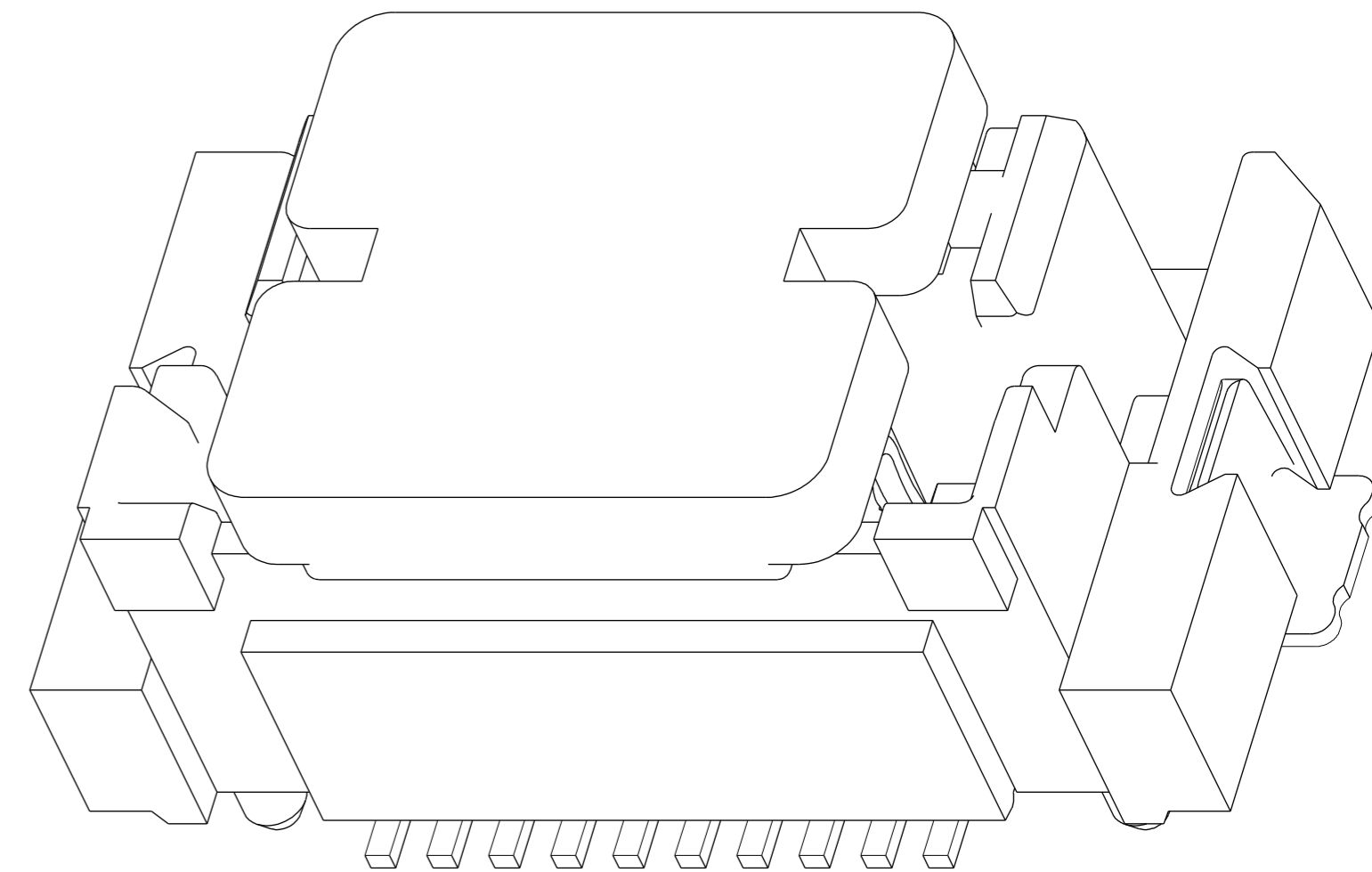
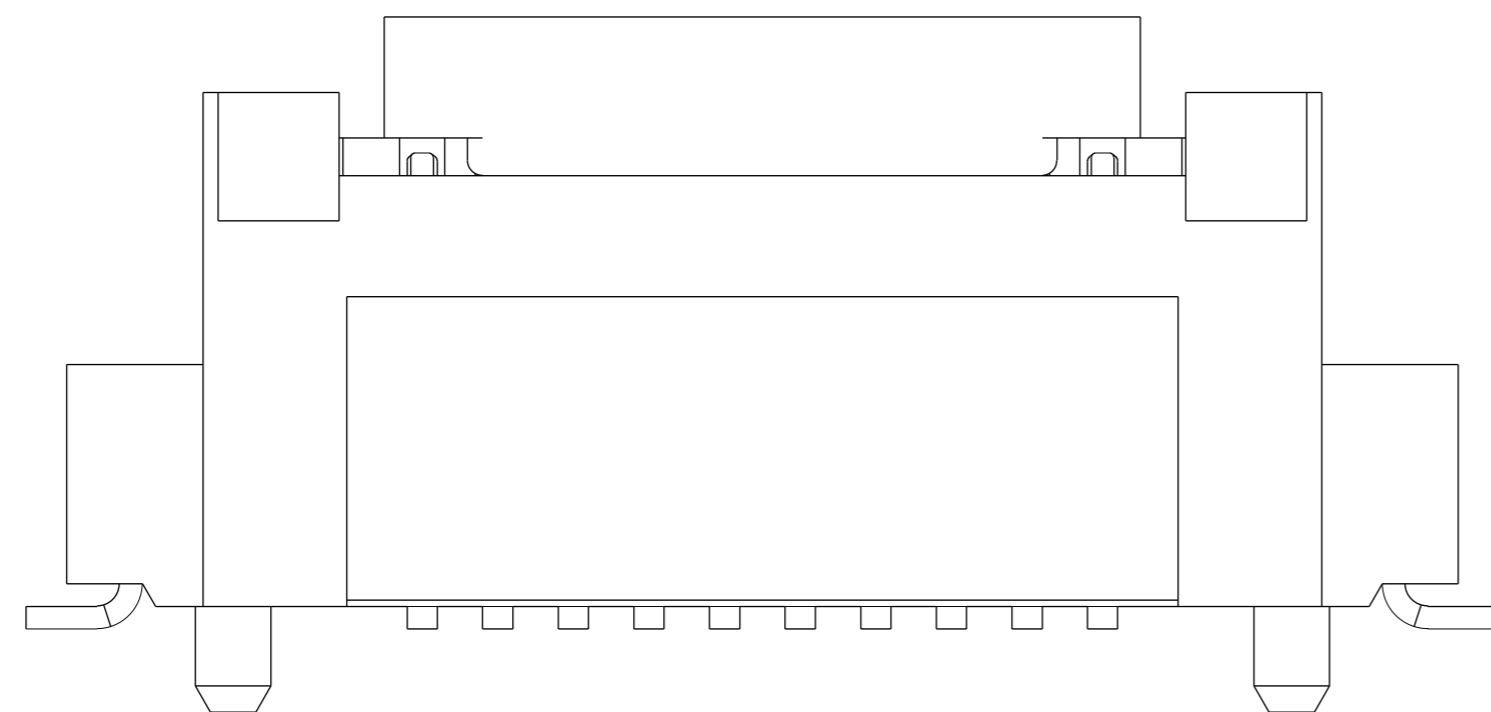
EXAMPLE: 10106813-X X X X X 2 LF



spec ref	---	dr	Stu Stoner	2010/11/18	projection	mm	size	A2	scale	10:1											
tolerance std	---	eng	Laurence Zang	2016/12/02		mm	ecn no	ELX-N-25520-1	rel level	Released											
---	TOLERANCES UNLESS OTHERWISE SPECIFIED	chr	-	appr							Tim Yao	2016/12/05	product family	MezzoStak							
surface	<table border="1"> <tr><td>linear</td><td>0.X</td><td>±0.3</td></tr> <tr><td></td><td>0.XX</td><td>±0.10</td></tr> <tr><td></td><td>0.XXX</td><td>±0.05</td></tr> <tr><td>angular</td><td>0°</td><td>±2°</td></tr> </table>	linear	0.X	±0.3		0.XX	±0.10		0.XXX	±0.05	angular	0°	±2°			HERMAPHRODITIC CONNECTOR, LONG STYLE 20-70 POS, 0.50 CTR, 4-7MM STACK HT		cat. no.	Product - Customer Drw	sheet 3 of 7	rev F
linear	0.X	±0.3																			
	0.XX	±0.10																			
	0.XXX	±0.05																			
angular	0°	±2°																			



10106813-021112LF SHOWN
WITH STANDARD PICK-UP CAP



Amphenol
FCi

© 2016 AFCI

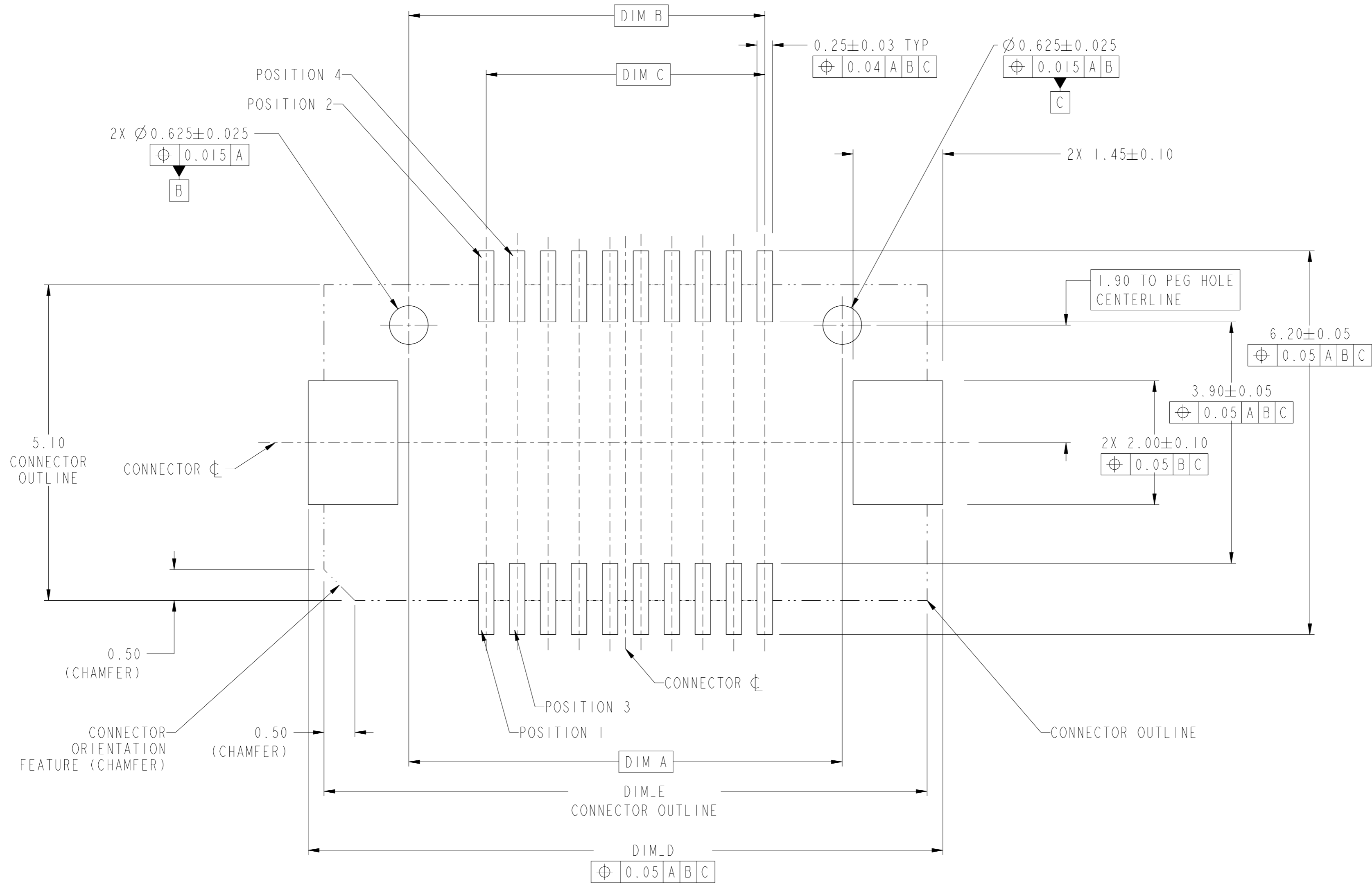
spec ref	---	dr	Stu Stoner	2010/11/18	projection	mm	size	A2	scale	10:1												
tolerance std	---	eng	Laurence Zang	2016/12/02			ecn no	ELX-N-25520-1														
---	TOLERANCES UNLESS OTHERWISE SPECIFIED		chr	-			rel level	Released														
---			appr	Tim Yao			2016/12/05	product family	MezzoStak													
surface	<table border="1"> <tr> <td>linear</td> <td>0.X</td> <td>±0.3</td> </tr> <tr> <td></td> <td>0.XX</td> <td>±0.10</td> </tr> <tr> <td></td> <td>0.XXX</td> <td>±0.05</td> </tr> <tr> <td>angular</td> <td>0°</td> <td>±2°</td> </tr> </table>	linear	0.X	±0.3		0.XX	±0.10		0.XXX	±0.05	angular	0°	±2°		Amphenol FCI www.fci.com		title HERMAPHRODITIC CONNECTOR, LONG STYLE 20-70 POS, 0.50 CTR, 4-7MM STACK HT		dwg no 10106813	rev F		
linear	0.X	±0.3																				
	0.XX	±0.10																				
	0.XXX	±0.05																				
angular	0°	±2°																				
				cat. no.	-	Product - Customer Drw		sheet 4 of 7														

PDS: Rev :F

STATUS:Released

Printed: Dec 09, 2016

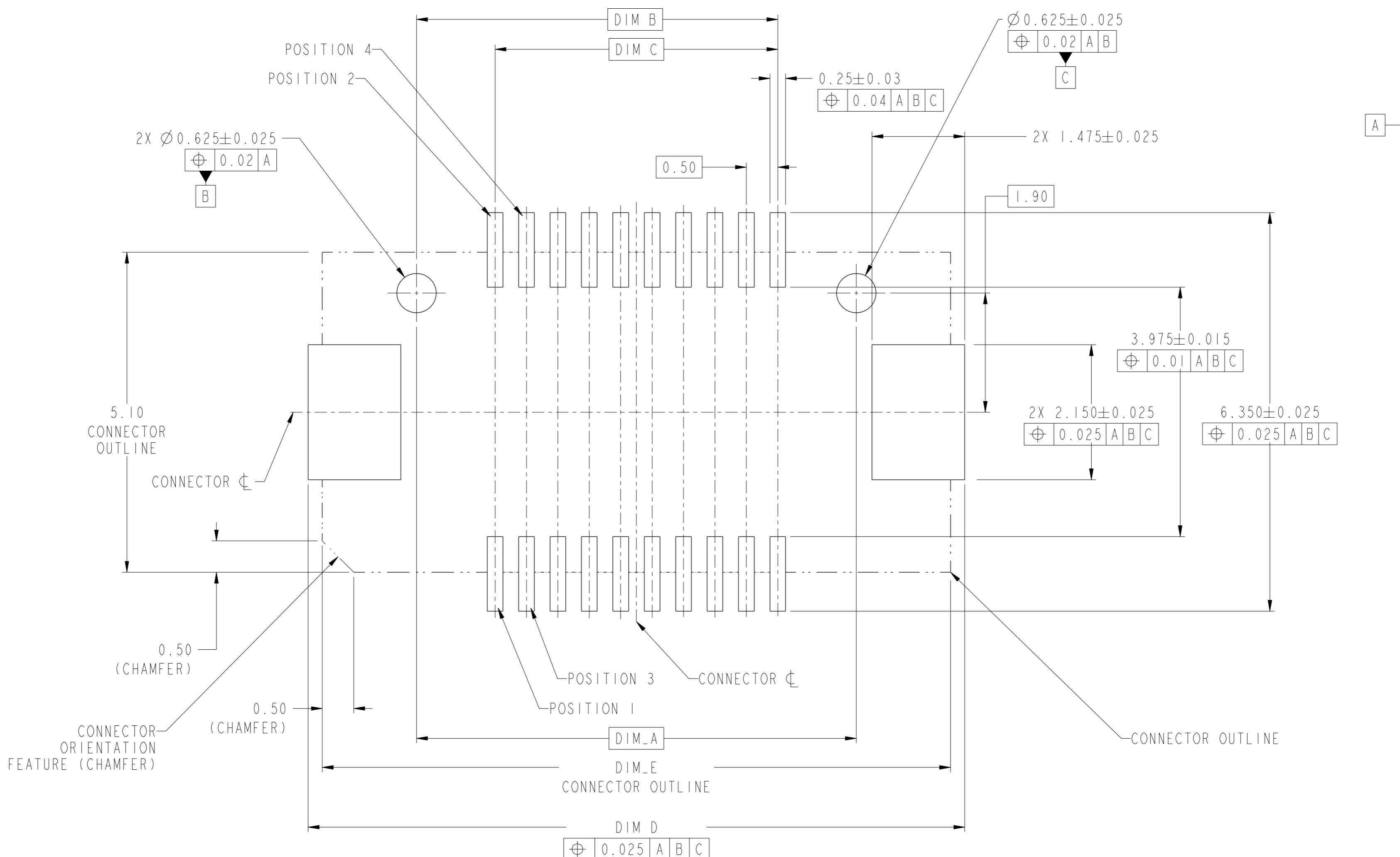
PRODUCT NUMBER	NUMBER OF POSITIONS	DIM A	DIM B	DIM C	DIM D±0.10	DIM E
10106813-02X112LF	20	7.00	5.75	4.50	10.25	9.74
10106813-03X112LF	30	9.50	8.25	7.00	12.75	12.24
10106813-04X112LF	40	12.00	10.75	9.50	15.25	14.74
10106813-05X112LF	50	14.50	13.25	12.00	17.75	17.24
10106813-06X112LF	60	17.00	15.75	14.50	20.25	19.74
10106813-X7X112LF	70	19.50	18.25	17.00	22.75	22.24



OPTION 1 - SPACE OPTIMIZED FOOTPRINT
SEE TABLE FOR PCB LAYOUT DIMENSIONS
SEE NOTE 11 FOR STENCIL CREATION GUIDELINES

spec ref	---	dr	Stu Stoner	2010/11/18	projection	mm	size	A2	scale	10:1
tolerance std	---	eng	Laurence Zang	2016/12/02			ecn no	ELX-N-25520-1		
---	TOLERANCES UNLESS OTHERWISE SPECIFIED	chr	-	rel level			Released			
---	---	appr	Tim Yao	2016/12/05			product family	MezzoStack		
surface	✓	linear	0.X	±0.3			title	HERMAPHRODITIC CONNECTOR, LONG STYLE		
---	---	0.XX	±0.10			part no	20-70 POS, 0.50 CTR, 4-7MM STACK HT			
---	---	0.XXX	±0.05			cat. no.	-			
---	---	angular	0°	±2°			Product - Customer Drw	sheet 5 of 7		

PRODUCT NUMBER	NUMBER OF POSITIONS	DIM A	DIM B	DIM C	DIM D±0.025	DIM E
10106813-02X112LF	20	7.00	5.75	4.50	10.45	9.74
10106813-03X112LF	30	9.50	8.25	7.00	12.95	12.24
10106813-04X112LF	40	12.00	10.75	9.50	15.45	14.74
10106813-05X112LF	50	14.50	13.25	12.00	17.95	17.24
10106813-06X112LF	60	17.00	15.75	14.50	20.45	19.74
10106813-X7X112LF	70	19.50	18.25	17.00	22.95	22.24



OPTION 2 - FOOTPRINT
SEE TABLE FOR PCB LAYOUT DIMENSIONS
SEE NOTE 11 FOR STENCIL CREATION GUIDELINES

spec ref	---	dr	Stu Stoner	2010/11/18	projection	mm	size	A2	scale	10:1
tolerance std	---	eng	Laurence Zang	2016/12/02		mm	ecn no	ELX-N-25520-1	rel level	Released
---	TOLERANCES UNLESS OTHERWISE SPECIFIED	chr	-	appr						
surface	✓	linear	0.X	±0.3	Amphenol FCI HERMAPHRODITIC CONNECTOR, LONG STYLE 20-70 POS, 0.50 CTR, 4-7MM STACK HT www.fci.com	<div style="display: flex; justify-content: space-between;"> cat. no. Product - Customer Drw </div>	divg no	10106813	rev	F
---	angular	0°	±2°	sheet 6 of 7						
---	---	---	---	---						

NOTES

1 - MATERIAL:
 HOUSING - LCP, UL94-V0, COLOR: BLACK
 CONTACTS:
 CONTACT PLATING:
 SEPARABLE INTERFACE: PERFORMANCE-BASED PLATING, QUALIFIED TO MEET THE REQUIREMENTS OF FCI PRODUCT SPECIFICATION GS-12-577.
 SOLDER TAILS: GOLD FLASH
 HOLD DOWNS: BRASS PLATED WITH 2.5um Sn OVER 1.27um UNDERPLATE.

2 - RECOMMENDED LEAD FREE SOLDER PASTE THICKNESS 150um.

3 - THE HOUSING WILL WITHSTAND EXPOSURE TO 260°C PEAK TEMPERATURE FOR 30 SECONDS IN A CONVECTION INFRA RED OR VAPOR PHASE REFLOW OVEN.

4 - THIS PRODUCT MEETS EUROPEAN UNION DIRECTIVES AND OTHER COUNTRY REGULATION AS DESCRIBED IN GS-22-008

5 - PACKAGING TAPE AND REEL. PACKAGING SPECIFICATION GS-14-1320

6 - PRODUCT SPECIFICATION GS-12-577

⑦ - LEAD CO-PLANARITY TO BE 0.08MM MAX.

⑧ - PRACTICAL CONNECTOR HEIGHT AS SPECIFIED IN THE TABLE IS NOT THE DIMENSIONAL HEIGHT OF THE CONNECTOR BUT THE HEIGHT AS IT PERTAINS TO TOTAL STACK HEIGHT. AN EXAMPLE IS A CONNECTOR WITH A 2.5MM PRACTICAL CONNECTOR HEIGHT AND WHEN MATED TO ITSELF WILL RESULT IN A BOARD TO BOARD STACK HEIGHT OF 5MM.

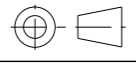
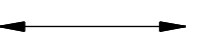


⑨ - DISCRETE CONNECTOR HEIGHT AS SHOWN IN THE TABLE IS THE ACTUAL DIMENSIONAL CONNECTOR HEIGHT. ALSO SEE INFORMATION ON PRACTICAL HEIGHT IN NOTE 8.

⑩ - THE TOE HEIGHT OF THE SOLDER TAIL SHALL BE MEASURED FROM THE LOWEST POINT OF THE 0.08 COPLANRITY PLANE. THIS MEASUREMENT SHALL NOT EXCEED A WINDOW OF 0.00 TO 0.10MM.

⑪ - REFER TO IPC 7525-A FOR STENCIL CREATION

Amphenol
FCi

© 2016 AFci

spec ref	---	dr	Stu Stoner	2010/11/18	projection	mm	size	A2	scale	10:1		
tolerance std	---	eng	Laurence Zang	2016/12/02			ecn no	ELX-N-25520-1				
---	TOLERANCES UNLESS OTHERWISE SPECIFIED	chr	-	appr			Tim Yao	2016/12/05	product family	MezzoStak	rel level	Released
surface		linear	0.X	±0.3		title HERMAPHRODITIC CONNECTOR, LONG STYLE 20-70 POS, 0.50 CTR, 4-7MM STACK HT	divg no 10106813	rev F	www.fci.com			
			0.XX	±0.10					cat. no.	-	Product - Customer Drw	sheet 7 of 7
		angular	0°	±2°								

PDS: Rev :F

STATUS:Released

Printed: Dec 09, 2016