



Chipsmall Limited consists of a professional team with an average of over 10 year of expertise in the distribution of electronic components. Based in Hongkong, we have already established firm and mutual-benefit business relationships with customers from,Europe,America and south Asia,supplying obsolete and hard-to-find components to meet their specific needs.

With the principle of “Quality Parts,Customers Priority,Honest Operation,and Considerate Service”,our business mainly focus on the distribution of electronic components. Line cards we deal with include Microchip,ALPS,ROHM,Xilinx,Pulse,ON,Everlight and Freescale. Main products comprise IC,Modules,Potentiometer,IC Socket,Relay,Connector.Our parts cover such applications as commercial,industrial, and automotives areas.

We are looking forward to setting up business relationship with you and hope to provide you with the best service and solution. Let us make a better world for our industry!



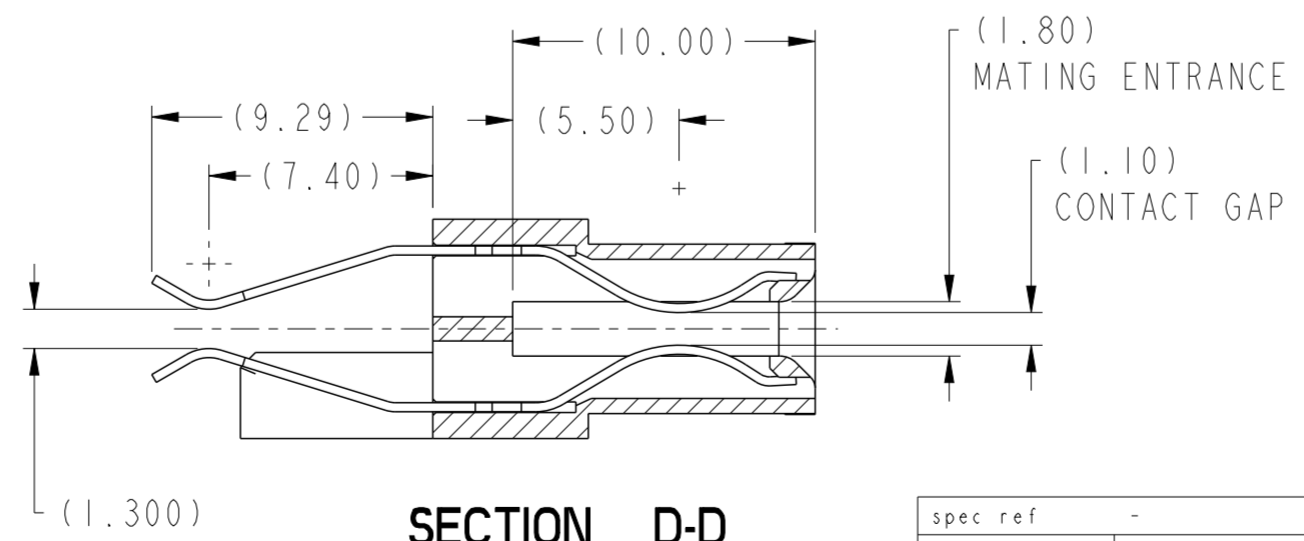
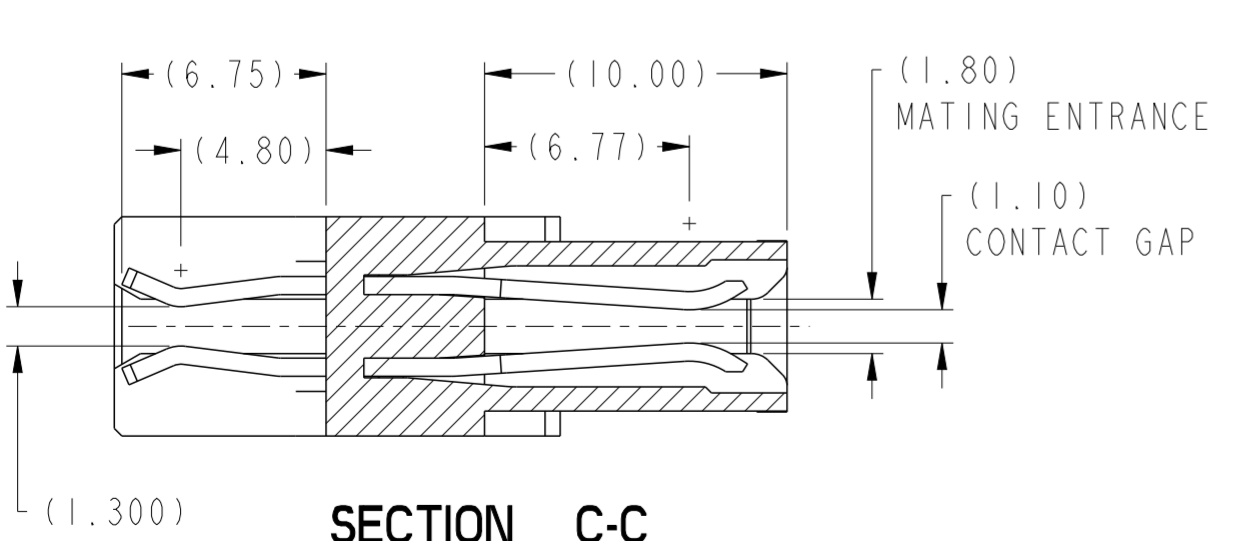
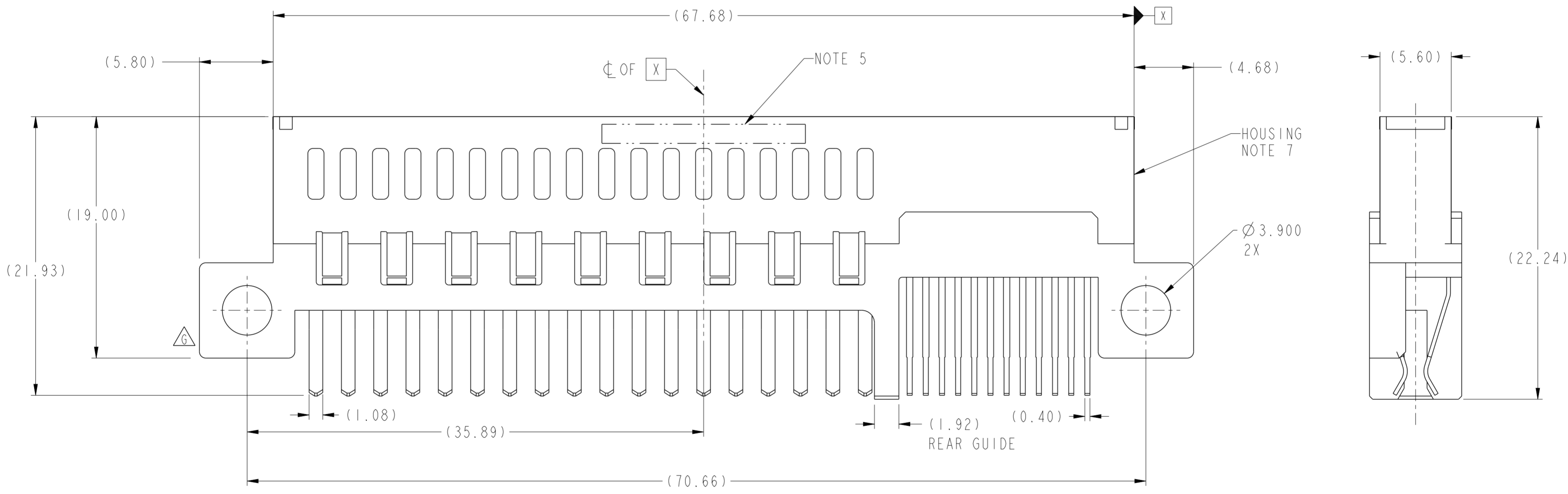
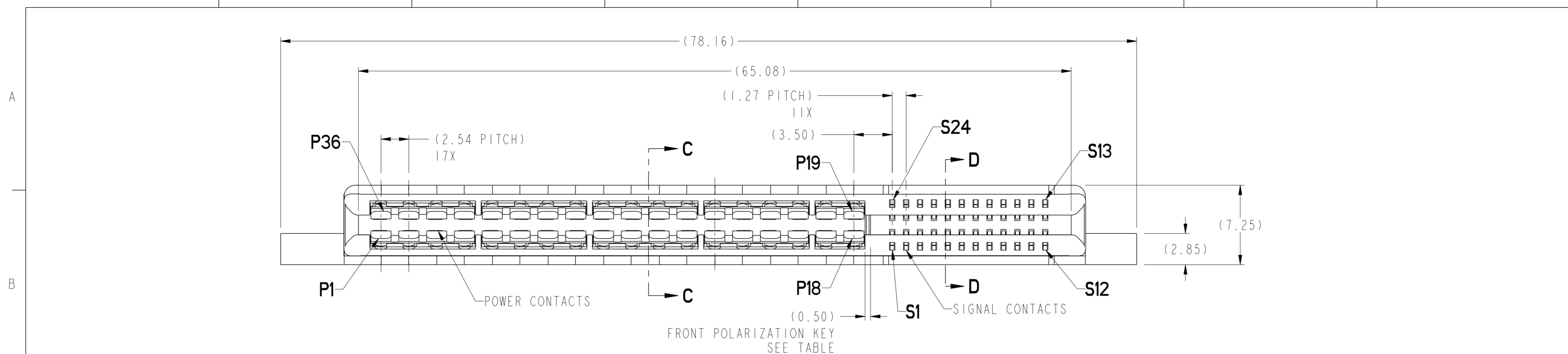
## Contact us

Tel: +86-755-8981 8866 Fax: +86-755-8427 6832

Email & Skype: info@chipsmall.com Web: www.chipsmall.com

Address: A1208, Overseas Decoration Building, #122 Zhenhua RD., Futian, Shenzhen, China

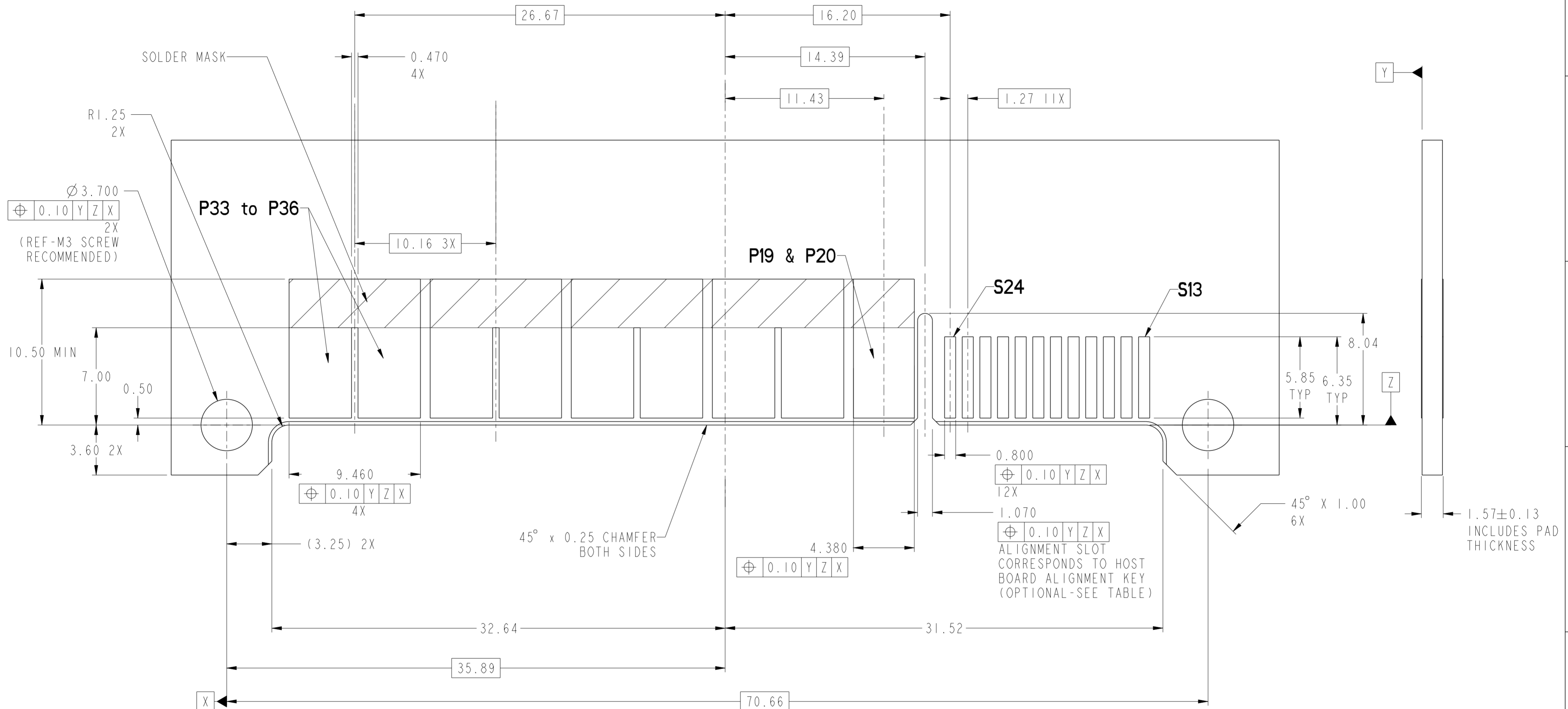




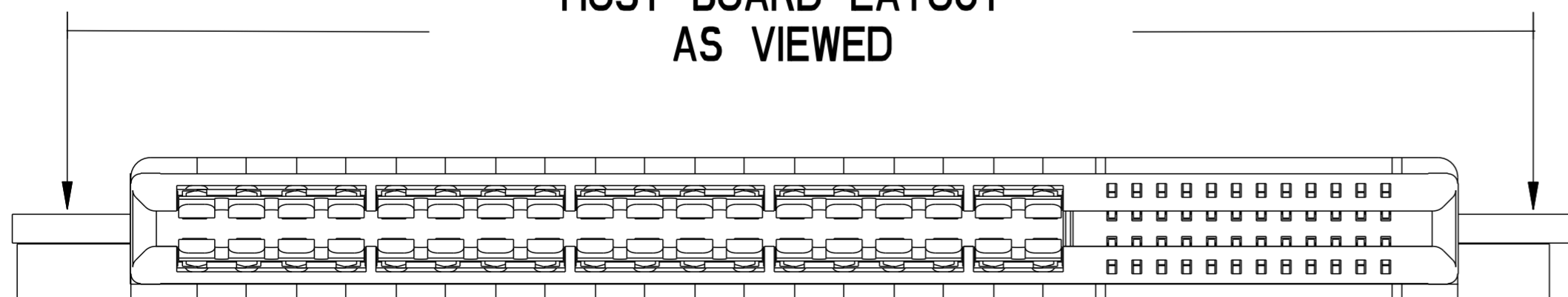
spec ref	-	dr	Tim Houtz	2009/10/21	projection	MM	size	A2	scale	4:1
tolerance std	ASME Y14.5	eng	Wei-Long Zhang	2012/09/05			ecn no	ELX-DG-012741-1		
TOLERANCES UNLESS OTHERWISE SPECIFIED		chr	-	rel level			Released			
surface	✓	appr	Pei-Ming Zheng	2012/09/11	product family	CARD EDGE	dwg no	10107844		
ASME Y14.5	linear	0.X	±0.30		title		HPCE-STRADDLE MT (36P-24S)			
		0.XX	±0.10		cat. no.		-			
		0.XXX	±0.05		Product - Customer Drw		sheet 1 of 6			
	angular	0°	±2°	www.fci.com		STATUS:Released		Printed: Sep 11, 2012		

Copyright FCI. FCI

# NEW RECOMENDED HOST BOARD LAYOUT FOR IMPROVED SOLDER REFLOW PROCESS



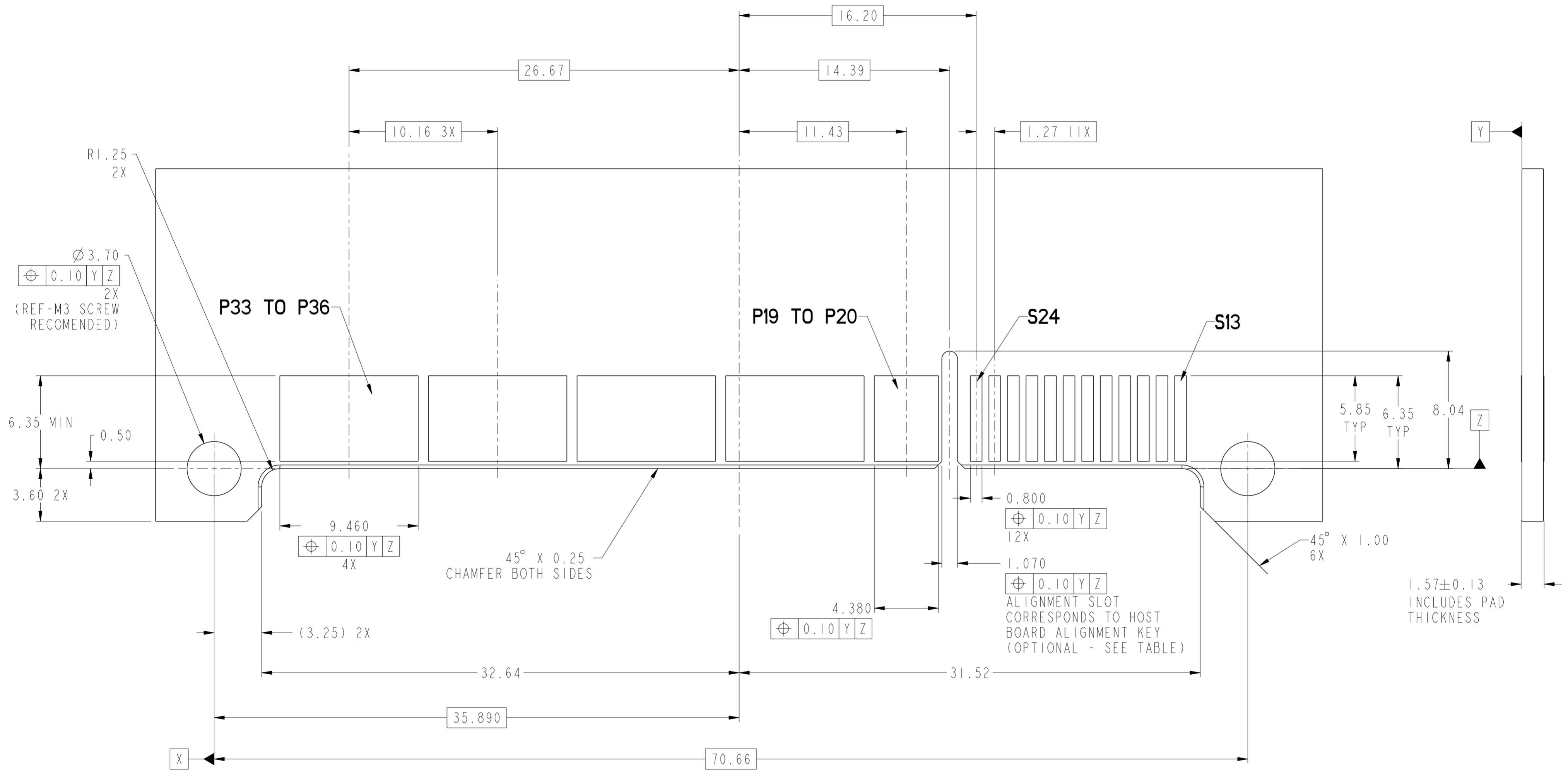
HOST BOARD LAYOUT AS VIEWED



SCALE 7:2

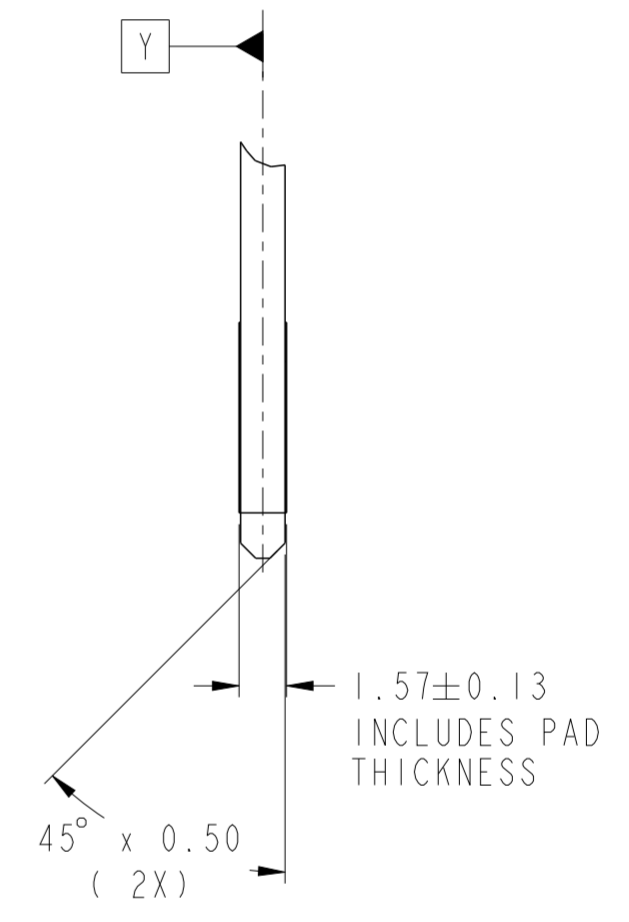
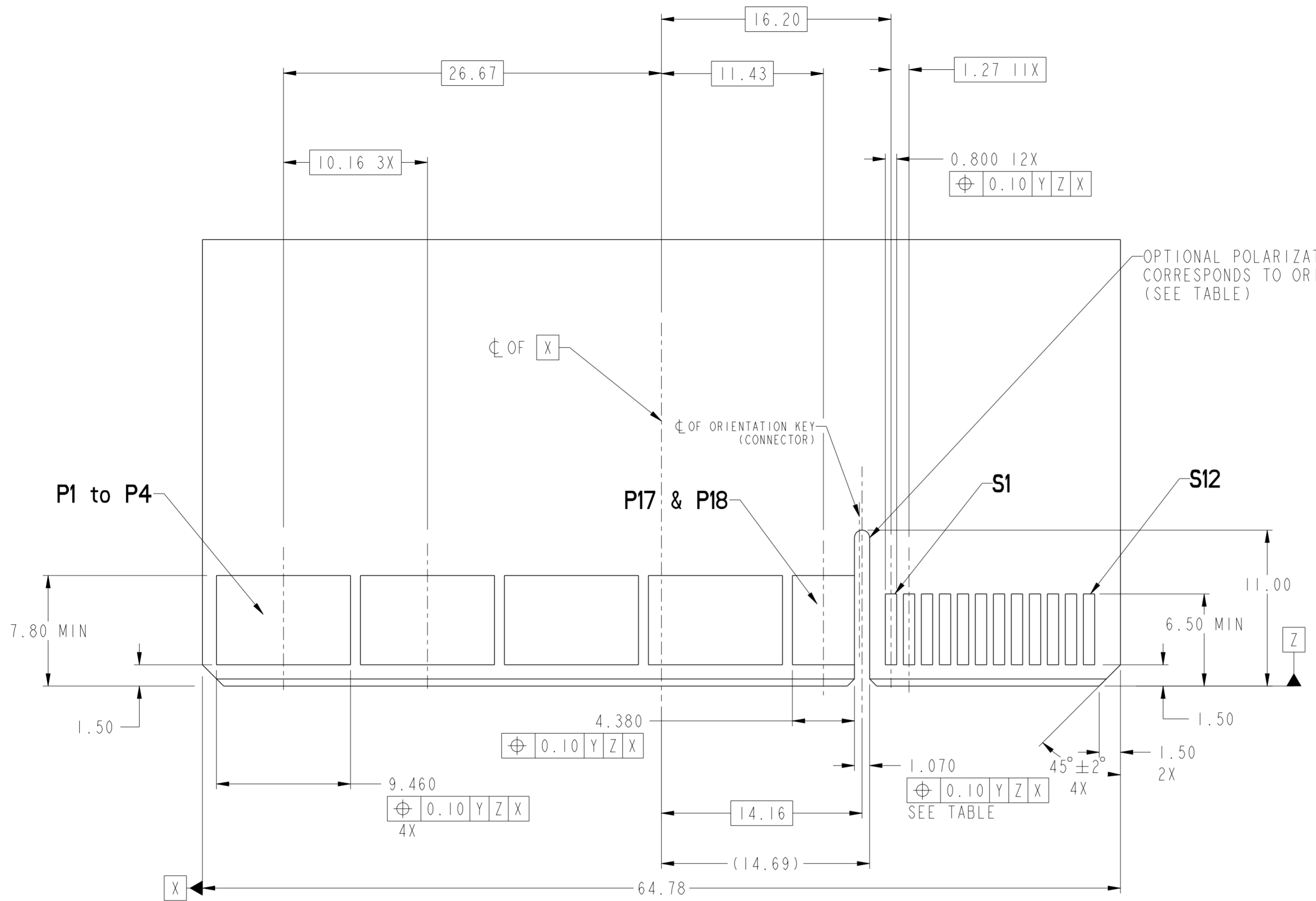
dr	Tim Houtz	2009/10/21	projection	MM	size	A2	scale	4:1
eng	Wei-Long Zhang	2012/09/05			ecn no	ELX-DG-012741-1	rel level	Released
chr	-	-						
appr	Pai-Ming Zheng	2012/09/11	product family	CARD EDGE	rel level	Released		
		title HPCE-STRADDLE MT (36P-24S) (RECEPTACLE) SPECIAL CASE		dwg no 10107844	rev G			
www.fci.com		cat. no.	-		Product - Customer Drw	sheet 2 of 6		

# OLD RECOMENDED HOST BOARD LAYOUT



Copyright FCI.

dr	Tim Houtz	2009/10/21	projection	MM	size	A2	scale	4:1
eng	Wei-Long Zhang	2012/09/05			ecn no	ELX-DG-012741-1		
chr	-	-			rel level	Released		
appr	Pai-Ming Zheng	2012/09/11	product family	CARD EDGE	rel level	Released		
		title	HPCE-STRADDLE MT (36P-24S)		dwg no	10107844		rev
www.fci.com		cat. no.	-		Product - Customer Drw	sheet 3 of 6		G



**RECOMMENDED MATING BOARD  
FOOTPRINT - OPTION 1**

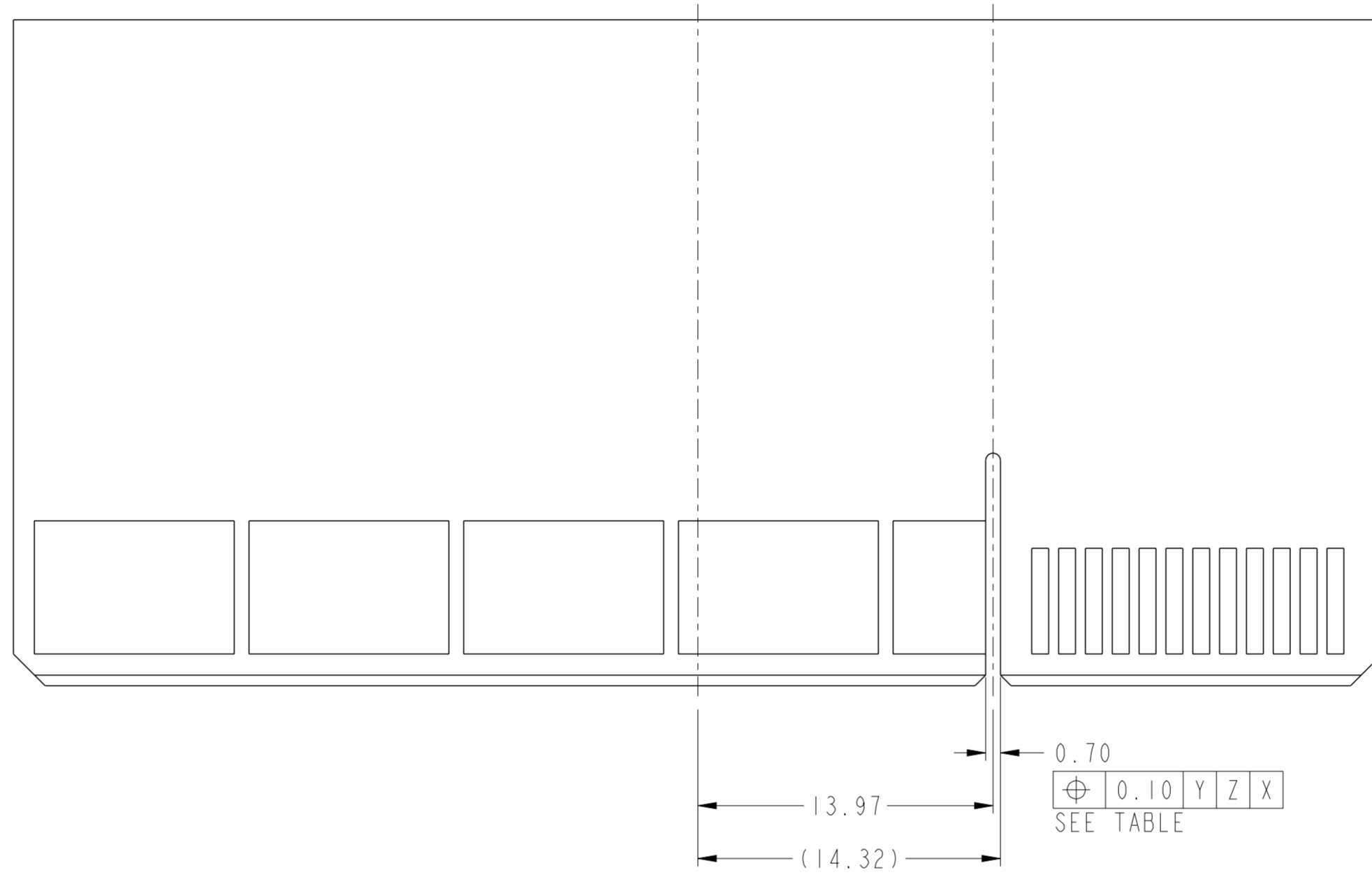
Copyright FCI.  
**FCI**

dr	Tim Houtz	2009/10/21	projection	MM	size	A2	scale	4:1
eng	Wei-Long Zhang	2012/09/05			ecn no	ELX-DG-012741-1		
chr	-	-			rel level	Released		
appr	Pai-Ming Zheng	2012/09/11	product family	CARD EDGE	rel level	Released		
		title	HPCE-STRADDLE MT (36P-24S)		dwg no	10107844		rev
www.fci.com		cat. no.	-		Product - Customer Drw	sheet 4 of 6		G

PDS: Rev :G

STATUS:Released

Printed: Sep 11, 2012

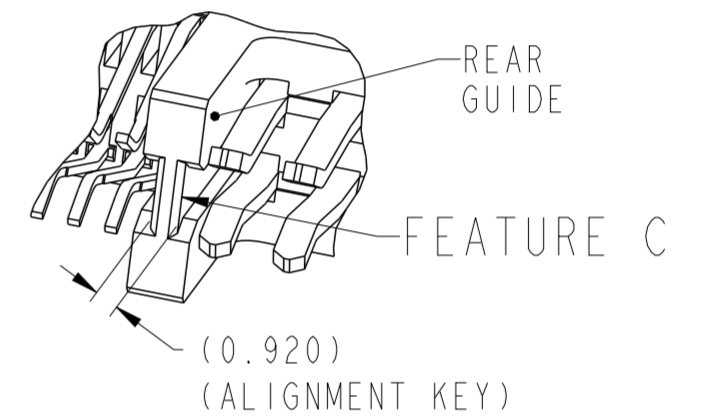
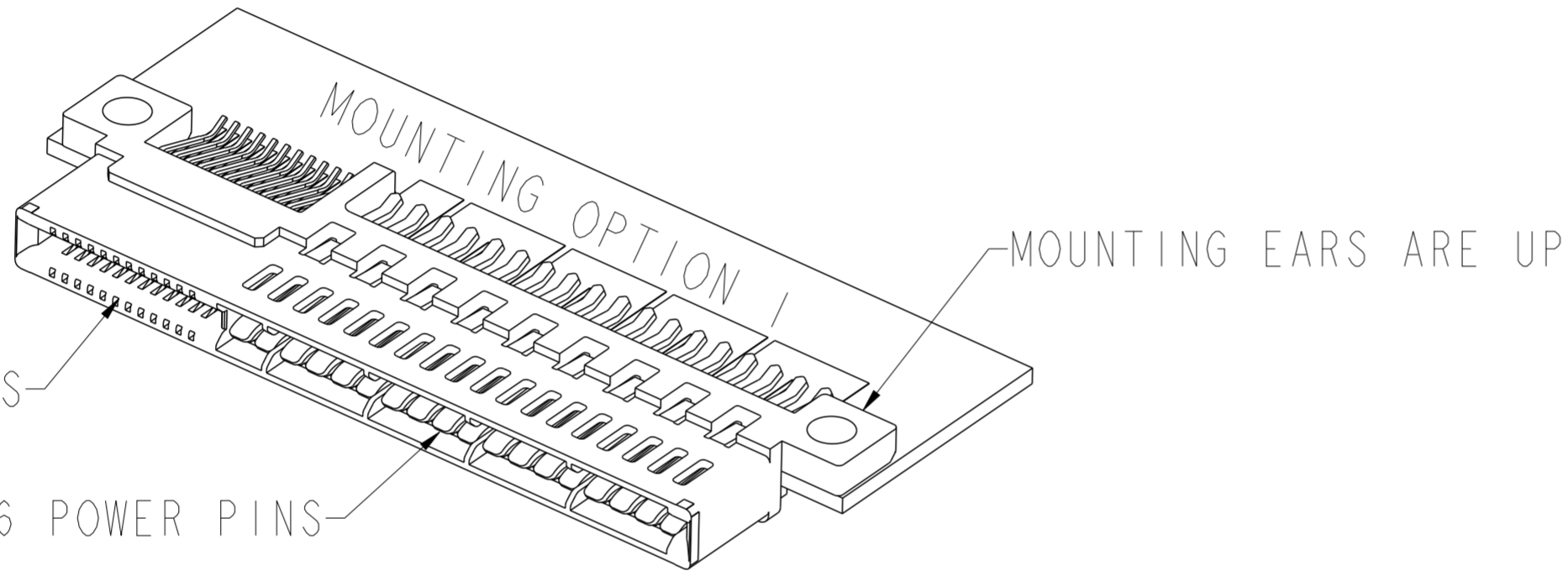
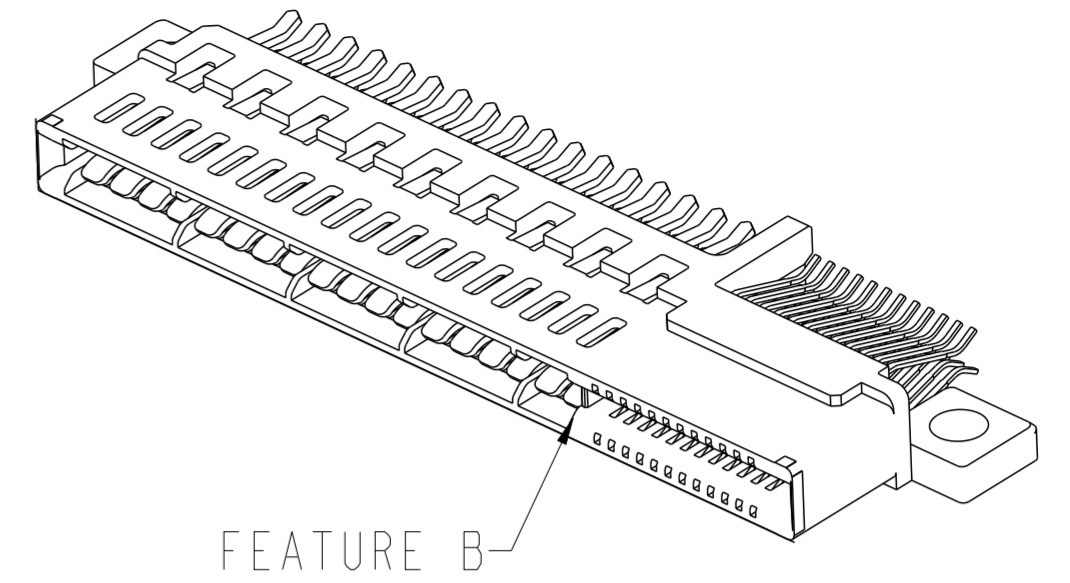
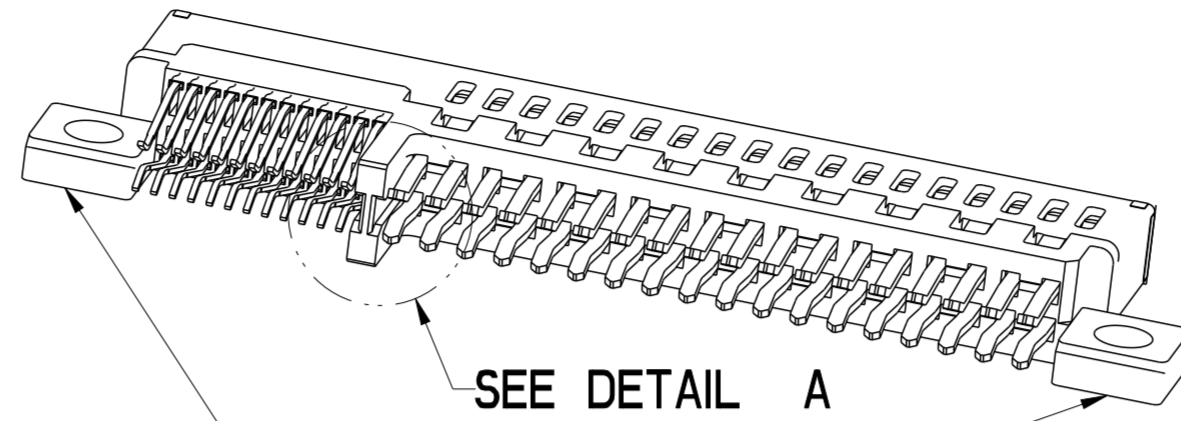


**RECOMMENDED MATING BOARD  
 △ FOOTPRINT - OPTION 2**  
 (ALL DIMENSIONS ARE SAME AS PAGE 4 EXCEPT ABOVE)

Copyright FCI.  
**FCI**

dr	Tim Houtz	2009/10/21	projection	MM	size	A2	scale	4:1
eng	Wei-Long Zhang	2012/09/05			ecn no	ELX-DG-012741-1		
chr	-	rel level			Released			
appr	Pei-Ming Zheng	2012/09/11	product family	-	cat. no.	Product - Customer Drw		
		title	HPCE-STRADDLE MT (36P-24S)		div no	10107844		rev
www.fci.com		(RECEPTACLE) SPECIAL CASE						G
								sheet 5 of 6

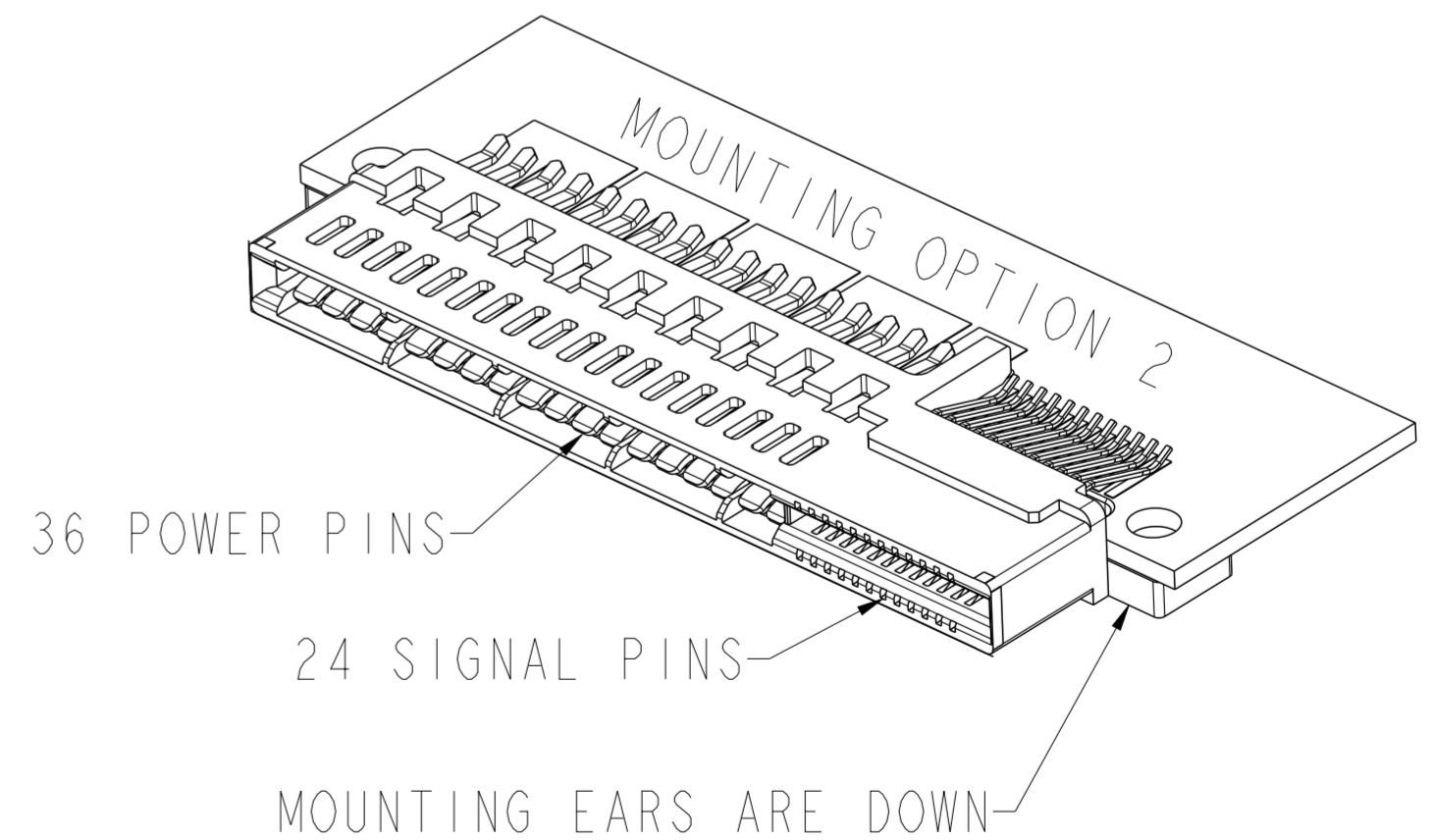
PART NUMBER	FEATURE C HOST BOARD ALIGNMENT KEY (SEE NOTE 8)	FEATURE A MOUNTING EARS	FEATURE B FRONT POLARIZATION KEY
10107844-001LF	NO	YES	YES
10107844-002LF	NO		NO
10107844-003LF	YES		NO
10107844-004LF	YES		YES



DETAIL A  
SCALE 4:1

NOTES:

- CONNECTOR MATERIALS:  
HOUSING: HIGH TEMPERATURE THERMAL PLASTIC, BLACK  
UL 94V-0 COMPLIANT  
CONTACTS: HIGH PERFORMANCE COPPER ALLOY.
- CONTACT FINISH REF. GS-12-604 SECTION 5.2.
- PRODUCT SPECIFICATION: GS-12-604.
- APPLICATION SPECIFICATION: GS-20-128.
- PRODUCT MARKING (FCI - PART NUMBER & DATE CODE) ON HOUSING IN AREA SHOWN.
- PACKAGING MEETS FCI SPECIFICATION GS-14-937.
- HOUSING COMPONENT WILL WITHSTAND EXPOSURE TO 260°C PEAK TEMPERATURE FOR 60 SECONDS IN A CONVECTION, INFRA-RED, OR VAPOR PHASE REFLOW OVEN.
- HOST BOARD ALIGNMENT KEY IS RECOMMENDED TO ENSURE PROPER ALIGNMENT OF SOLDER TAILS WITH HOST BOARD PADS.
- THE OLD RECOMMENDED BOARD IS ASSOCIATED WITH -001 & -002 PARTS. THE NEW HOST BOARD CAN BE USED WITH ALL DASH NUMBERS AND IS FOR IMPROVED SOLDER REFLOW PROCESS.
- A  $\triangle$  SYMBOL WILL BE NEXT TO ANY DIMENSION, VIEW, OR NOTE WHICH HAS BEEN MODIFIED WITH THE CURRENT DRAWING REVISION.



dr	Tim Houtz	2009/10/21	projection	MM	size	A2	scale	4:1
eng	Wei-Long Zhang	2012/09/05			ecn no	ELX-DG-012741-1		
chr	-	-			rel level	Released		
appr	Pai-Ming Zheng	2012/09/11	product family	CARD EDGE	cat. no.	10107844	rev	G
www.fci.com			Product - Customer Drw			sheet 6 of 6		