



Chipsmall Limited consists of a professional team with an average of over 10 year of expertise in the distribution of electronic components. Based in Hongkong, we have already established firm and mutual-benefit business relationships with customers from,Europe,America and south Asia,supplying obsolete and hard-to-find components to meet their specific needs.

With the principle of "Quality Parts,Customers Priority,Honest Operation,and Considerate Service",our business mainly focus on the distribution of electronic components. Line cards we deal with include Microchip,ALPS,ROHM,Xilinx,Pulse,ON,Everlight and Freescale. Main products comprise IC,Modules,Potentiometer,IC Socket,Relay,Connector.Our parts cover such applications as commercial,industrial, and automotives areas.

We are looking forward to setting up business relationship with you and hope to provide you with the best service and solution. Let us make a better world for our industry!



Contact us

Tel: +86-755-8981 8866 Fax: +86-755-8427 6832

Email & Skype: info@chipsmall.com Web: www.chipsmall.com

Address: A1208, Overseas Decoration Building, #122 Zhenhua RD., Futian, Shenzhen, China



RIGHT ANGLE RECEPTACLE ASSEMBLY PRODUCT NUMBER
10108888- X PP SS C M LF

MOUNTING FEATURES
H = HOLD DOWNS
S = SCREW MOUNT (EXCEPT FOR P STYLE)

CENTER LINE DISTANCE BETWEEN POWER AND SIGNAL POSITIONS AT MATING SURFACE:

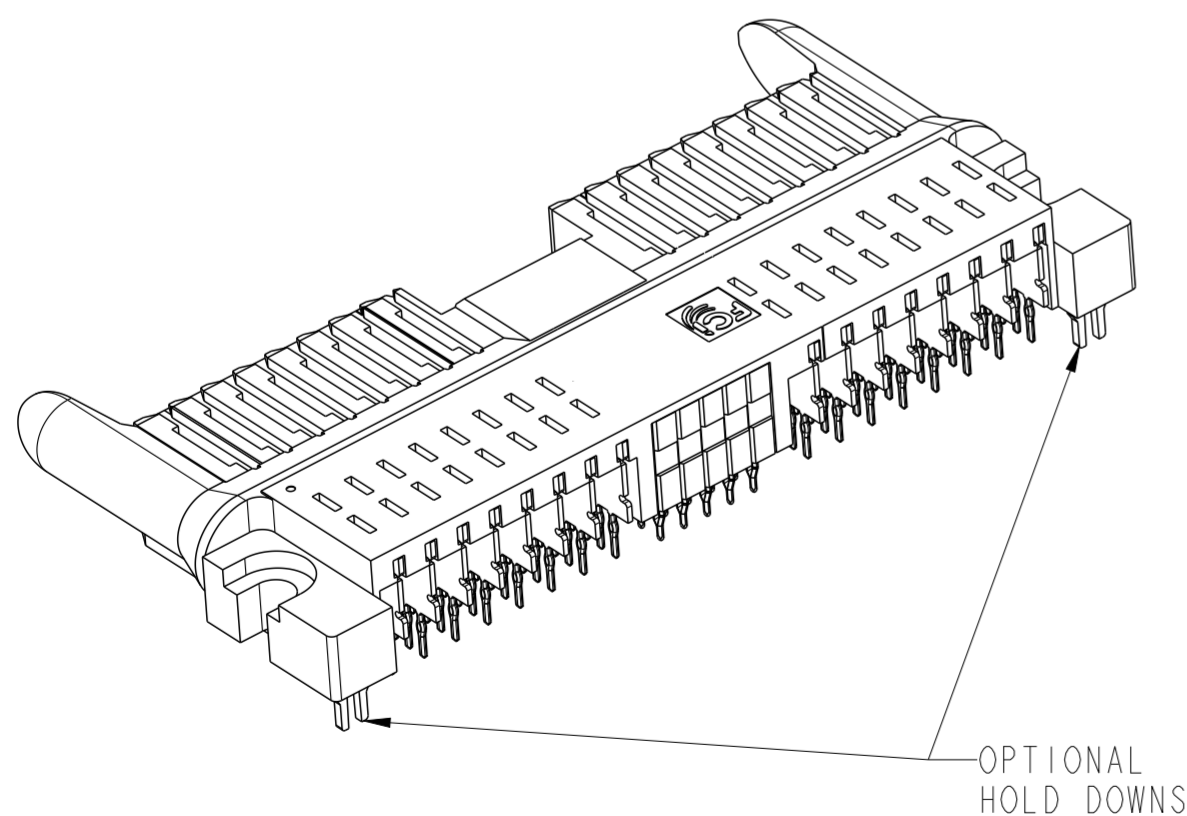
3 = 4.375

NUMBER OF SIGNAL CONTACTS
00 OR 10 TO 40 IN INCREMENTS OF 5

TOTAL NUMBER OF POWER CONTACTS. IF STYLE S, THEY WILL BE DIVIDED EQUALLY WITH HALF ON THE LEFT AND HALF ON THE RIGHT SIDES OF THE SIGNAL GROUP. 02 TO 24 IN EVEN NUMBER INCREMENTS. IF STYLE P, THE RANGE IS 06 TO 30.

STYLE
P = POWER ONLY-NO SIGNAL
L = SIGNAL ON THE LEFT, POWER ON THE RIGHT
R = POWER ON THE LEFT, SIGNAL ON THE RIGHT
S = POWER ON THE LEFT, SIGNAL IN THE CENTER, POWER ON THE RIGHT

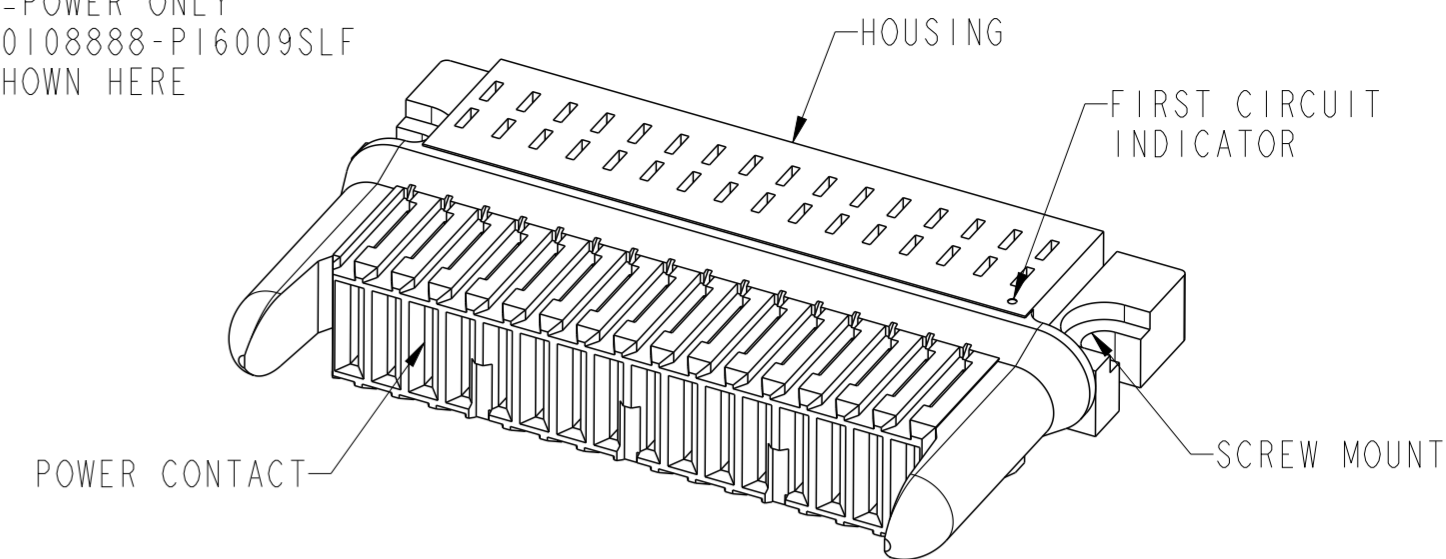
EXAMPLE:
10108888-R10253SLF IS A RIGHT ANGLE RECEPTACLE ASSEMBLY WITH 5 COLUMNS (25 TOTAL) OF SIGNAL PINS ON THE LEFT SIDE AND 10 POWER CONTACTS ON THE RIGHT SIDE, WITH A 4.375 DISTANCE BETWEEN THE SIGNAL AND THE POWER CONTACTS AND WITH SCREW MOUNT ENDS.



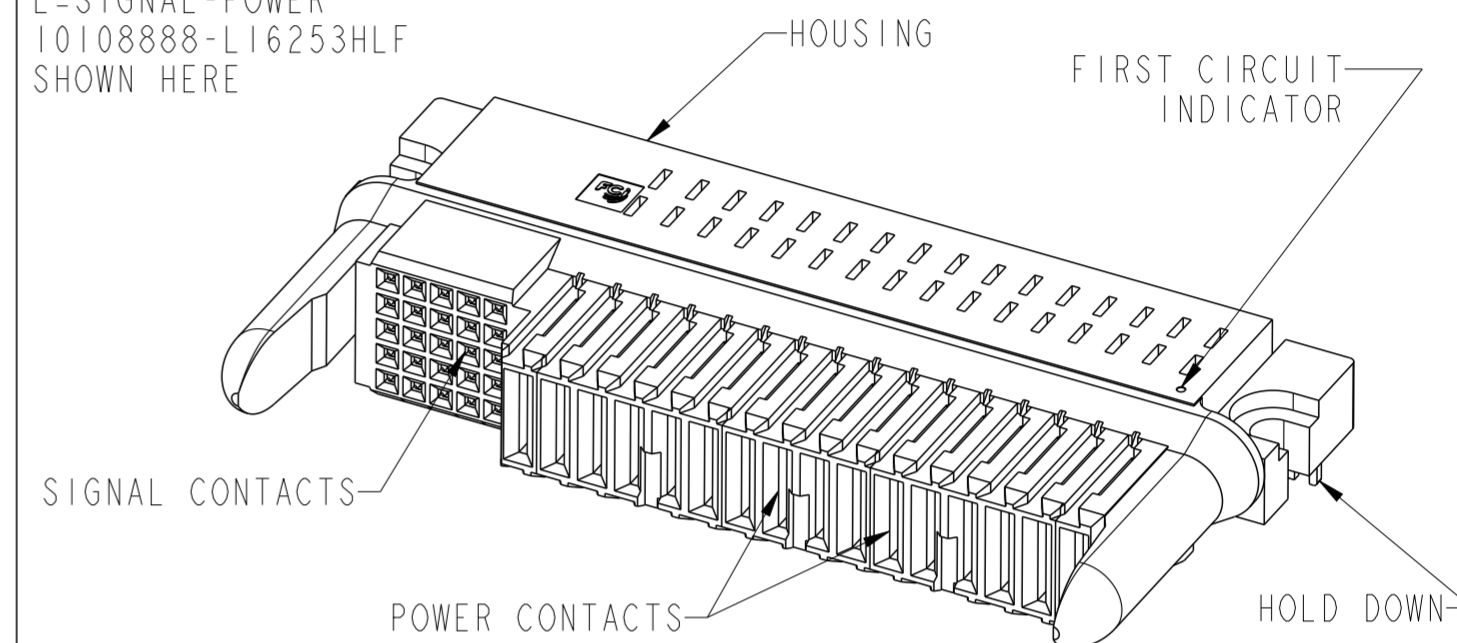
OPTIONAL HOLD DOWNS

MOUNTING FEATURES

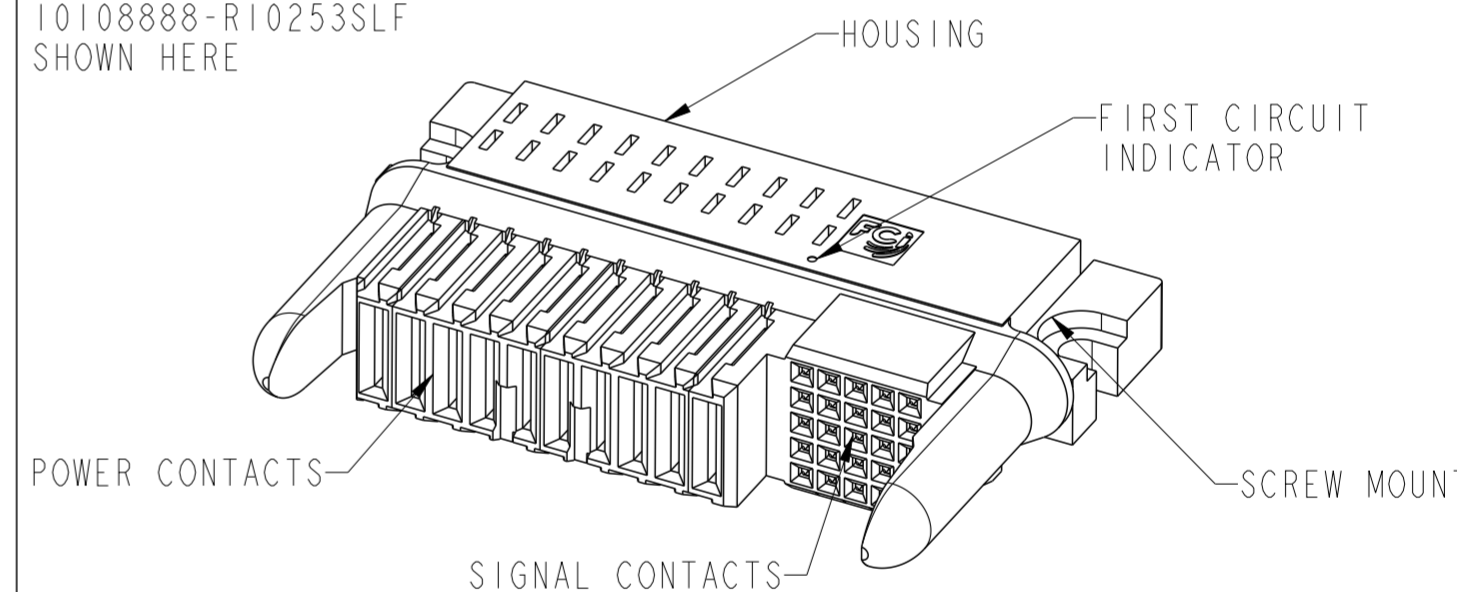
P=POWER ONLY
10108888-PI6009SLF
SHOWN HERE



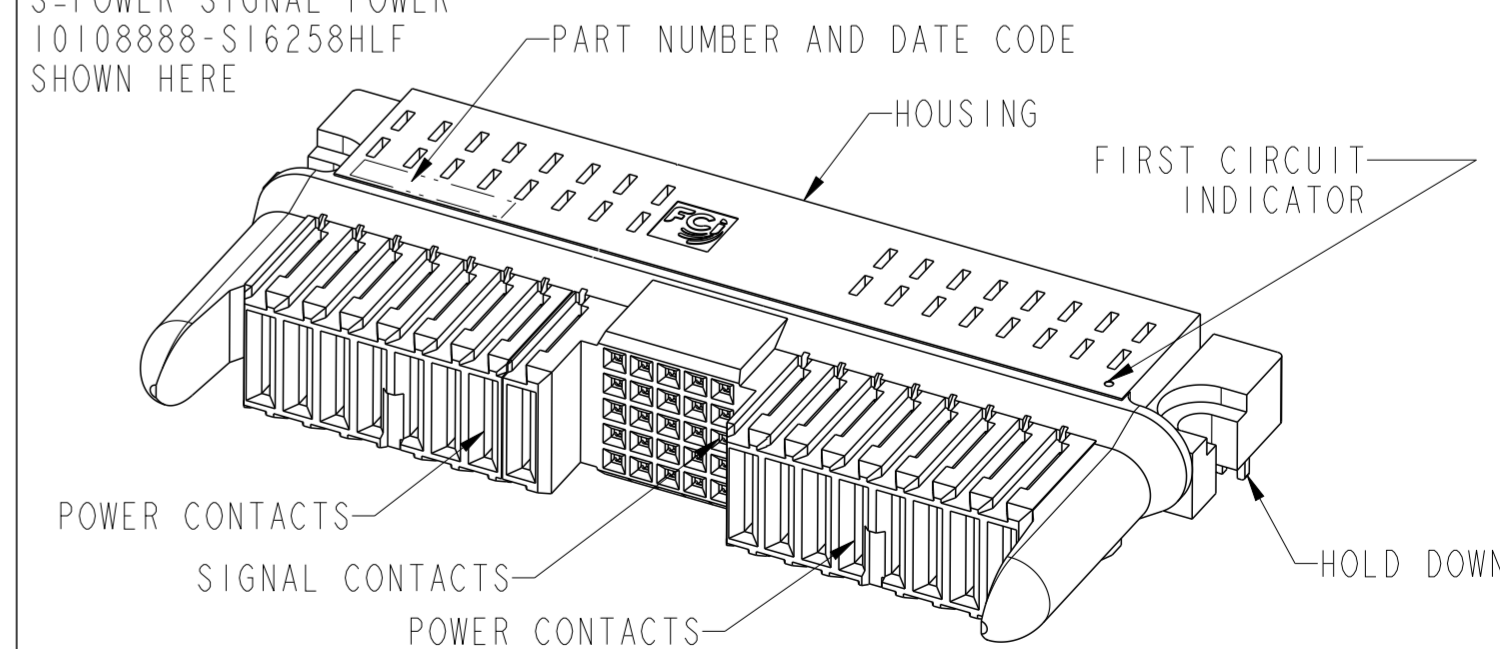
L=SIGNAL-POWER
10108888-LI6253HLF
SHOWN HERE



R=POWER-SIGNAL
10108888-R10253SLF
SHOWN HERE

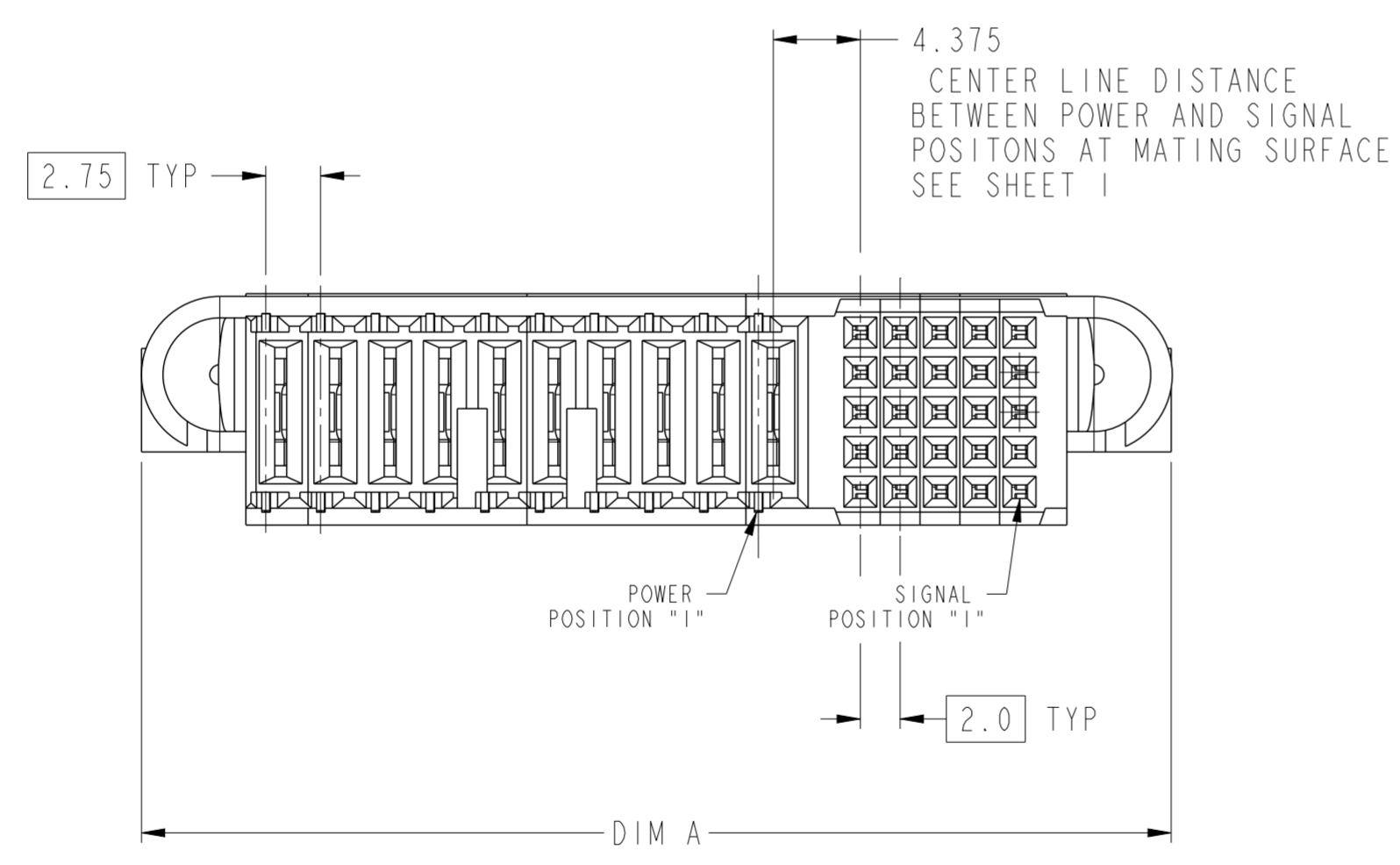
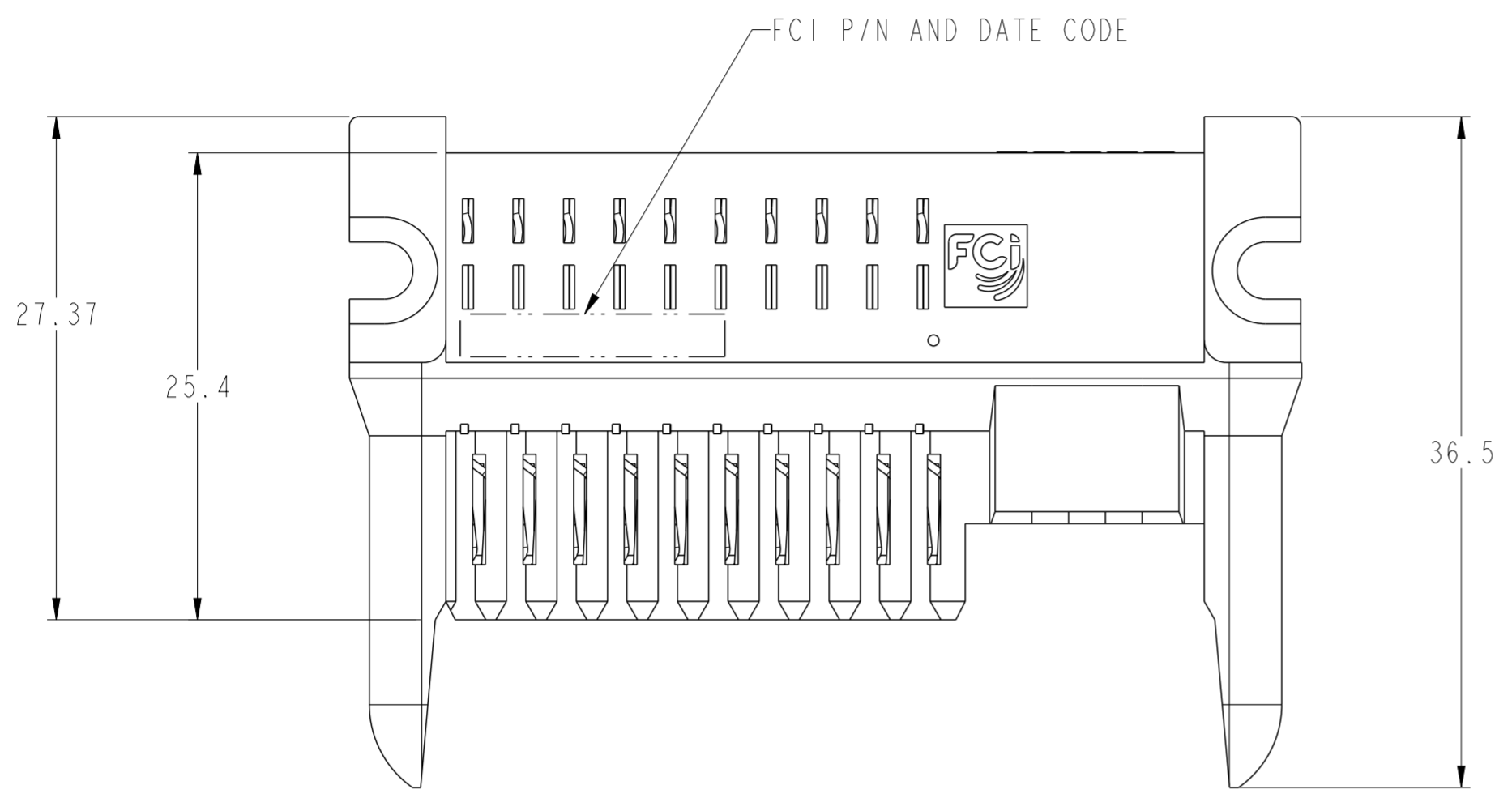


S=POWER-SIGNAL-POWER
10108888-SI6258HLF
SHOWN HERE



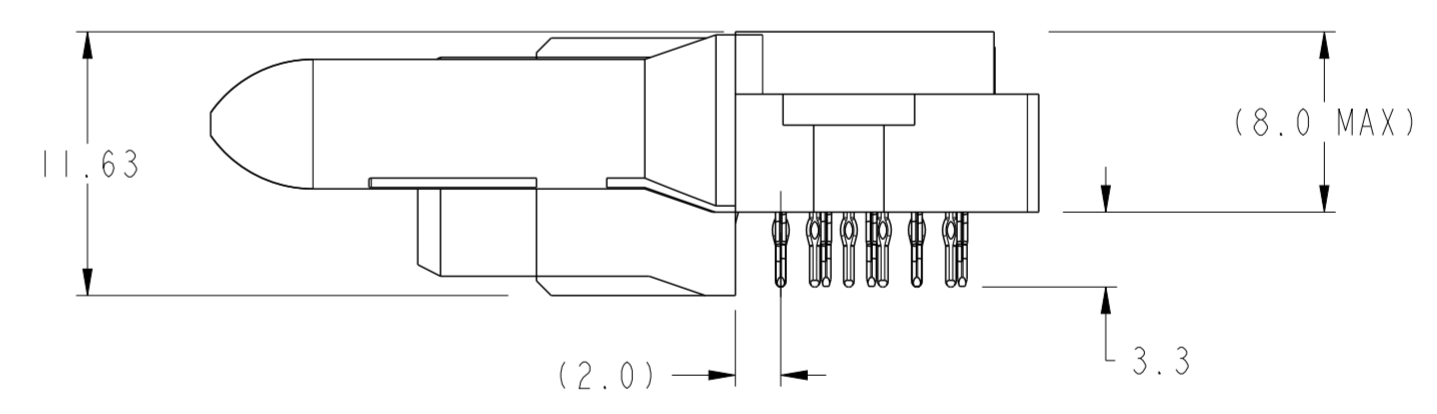
STYLE

spec ref	-	dr	Zhang Hong-Tu	2012/07/04	projection	MM	size	A2	scale	1:1	
tolerance std	ASME Y14.5	eng	Heaven Cen	2014/03/02			ecn no	ELX-DG-17027-1			
TOLERANCES UNLESS OTHERWISE SPECIFIED		chr	Jon Qin	2014/03/02			product family	PwrLoPro	rel level	Released	
surface	linear	appr	Collins Lu	2014/03/02			title	PWR LP RECEPTACLE ASSEMBLY		10108888	rev
ASME Y14.5	angular	www.fci.com		cat. no.	Product - Customer Drw		sheet 1 of 7				



10108888-R10253SLF AS SHOWN
SCREW MOUNT TYPE

PART NUMBER	CONFIGURATION	DIM "A"	DIM "B"	"C" SPACES	"D" SPACES	"E" PLACES	"F" PLACES	MOUNTING FEATURE
10108888-R10253SLF	10P + 25S	51.74	47.94	4	9	25	60	SCREW MOUNT
10108888-R08253SLF	08P + 25S	46.24	42.44	4	7	25	48	SCREW MOUNT
10108888-R18353SLF	18P + 35S	77.74	73.94	6	17	35	108	SCREW MOUNT
10108888-R20353SLF	20P + 35S	83.24	79.44	6	19	35	120	SCREW MOUNT
10108888-R24403SLF	24P + 40S	96.24	92.44	7	23	40	144	SCREW MOUNT



spec ref	-	dr	Zhang Hong-Tu	2012/07/04	projection	MM	size	A2	scale	1:1											
tolerance std	ASME Y14.5	eng	Heaven Cen	2014/03/02			ecn no	ELX-DG-17027-1													
TOLERANCES UNLESS OTHERWISE SPECIFIED		chr	Jon Qin	2014/03/02			rel level	Released													
surface	<table border="1"> <tr> <td>linear</td> <td>0.X</td> <td>±0.30</td> </tr> <tr> <td></td> <td>0.XX</td> <td>±0.20</td> </tr> <tr> <td></td> <td>0.XXX</td> <td>±0.10</td> </tr> <tr> <td>angular</td> <td>0°</td> <td>±2°</td> </tr> </table>	linear	0.X	±0.30				0.XX	±0.20		0.XXX	±0.10	angular	0°	±2°	appr	Collins Lu	2014/03/02	product family	PwrLoPro	
linear	0.X	±0.30																			
	0.XX	±0.20																			
	0.XXX	±0.10																			
angular	0°	±2°																			
				FCI		PWR LP RECEPTACLE ASSEMBLY		10108888		H											
		www.fci.com		cat. no.		Product - Customer Drw		sheet 2 of 7													

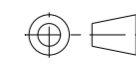


FOR SCREW MOUNT
2X $\varnothing 3.05 \pm 0.05$
 $\varnothing 0.05 \text{ M } Z X Y$
SEE NOTE 5

F- $\varnothing X$ PLC
 $\varnothing 0.05 \text{ M } Z X Y$
SEE NOTE 6

E- $\varnothing X$ PLC
 $\varnothing 0.05 \text{ M } Z X Y$
SEE NOTE 6

KEEP OUT AREA

10108888-R10253SLF SHOWN
RECOMMENDED PRINTED CIRCUIT BOARD LAYOUT SEE NOTE 4
FOR 10108888-RXXXX3SLF
(AS VIEWED FROM COMPONENT SIDE)

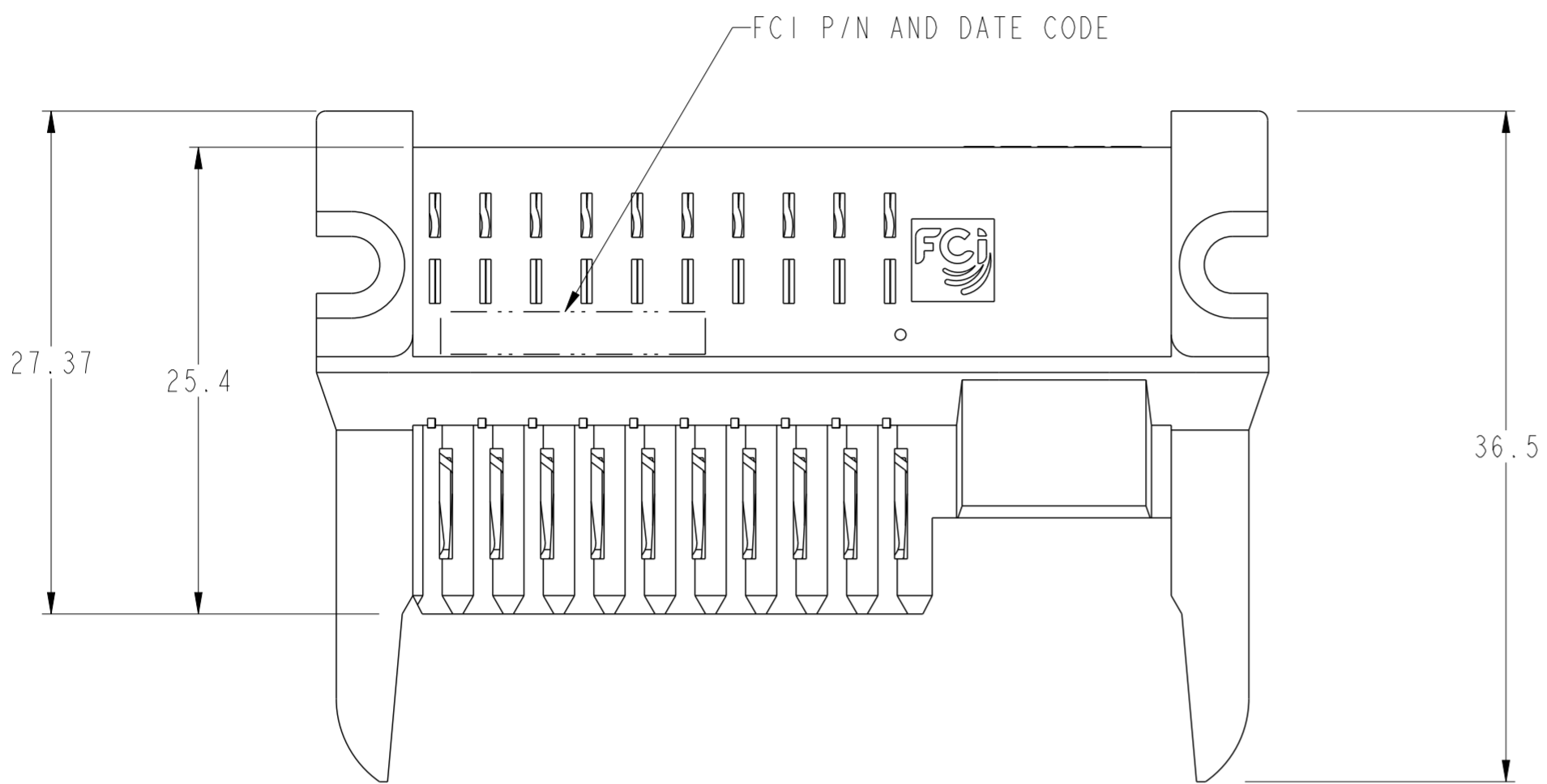
spec ref	-	dr	Zhang Hong-Tu	2012/07/04	projection	MM	size	A2	scale	1:1		
tolerance std	ASME Y14.5	eng	Heaven Cen	2014/03/02			ecn no	ELX-DG-17027-1				
TOLERANCES UNLESS OTHERWISE SPECIFIED		chr	Jon Qin	2014/03/02			rel level	Released				
surface	✓	appr	Collins Lu	2014/03/02			product family	PwrLoPro				
ASME Y14.5	linear	0.X	±0.30		linear	0.XX	±0.20	title	PWR LP RECEPTACLE ASSEMBLY		rev	H
		0.XXX	±0.10		angular	0°	±2°	www.fci.com	cat. no.	-	Product - Customer Drw	sheet 3 of 7

PDS: Rev :H

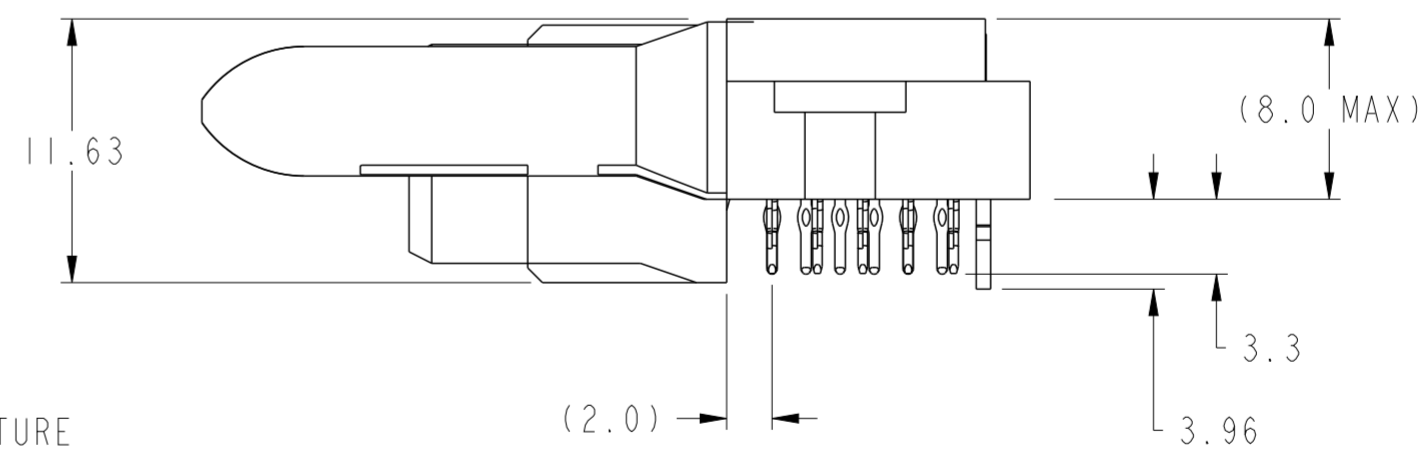
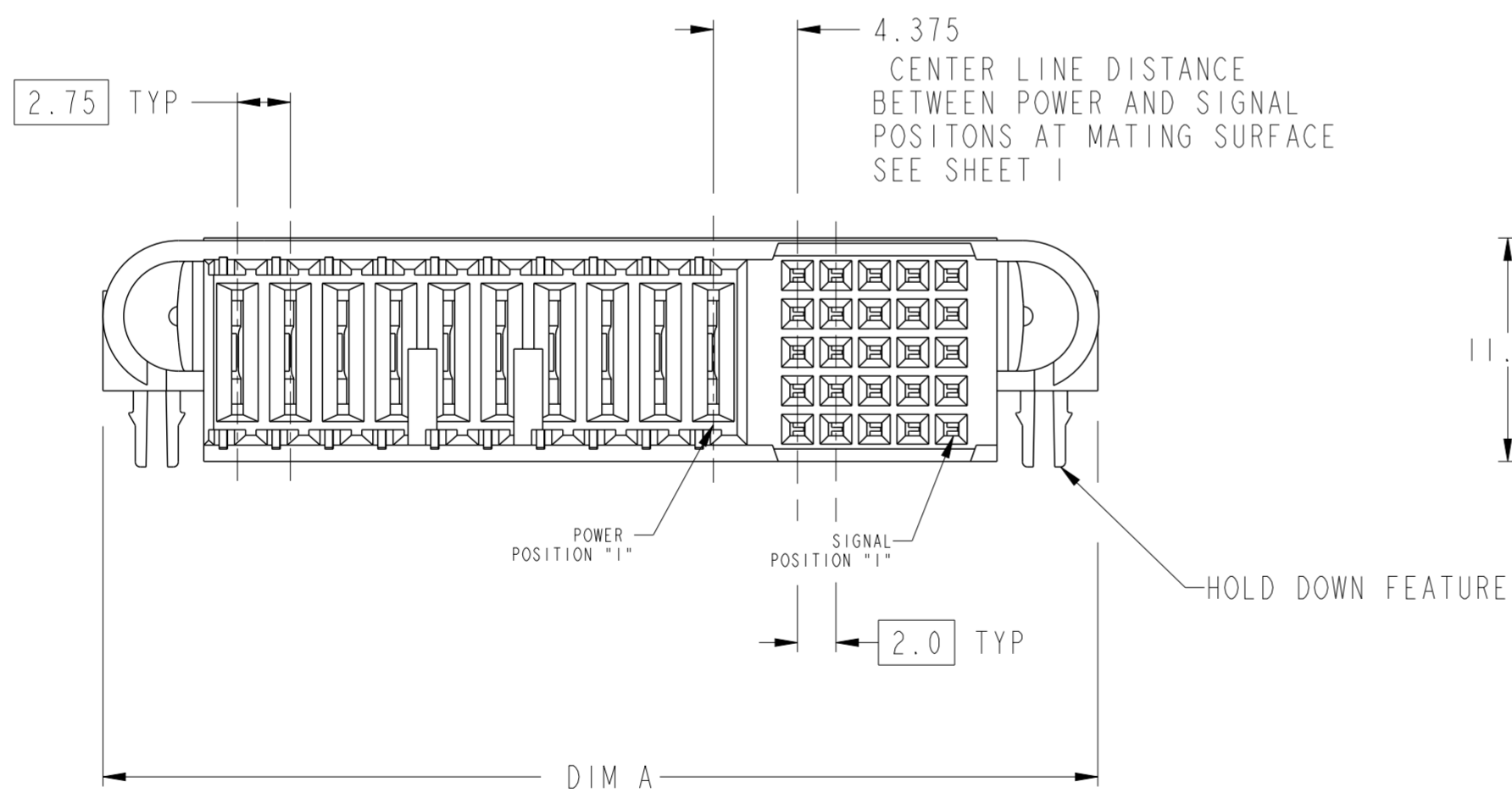
STATUS:Released

Printed: Mar 03, 2014

Copyright FCI.

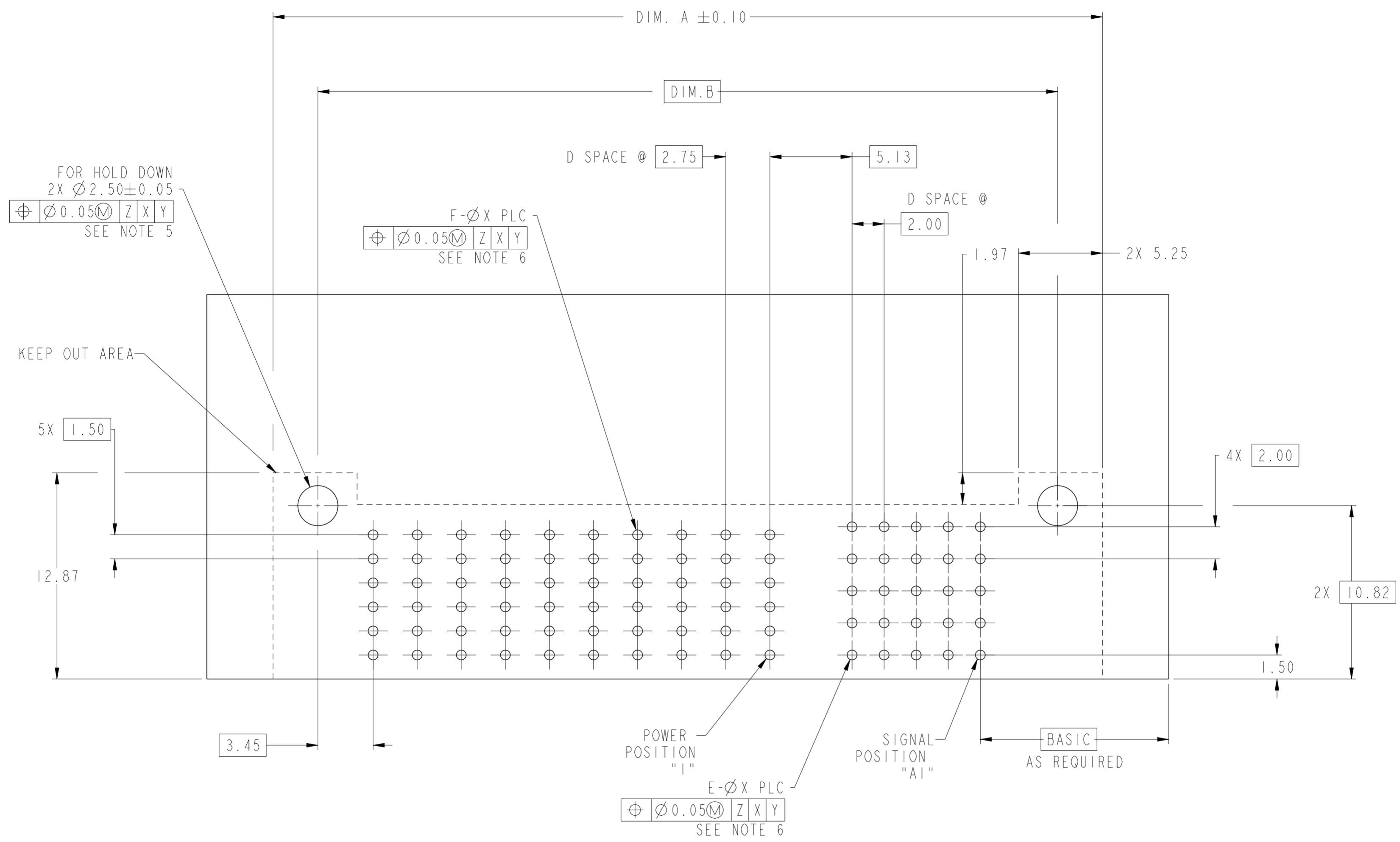


PART NUMBER	CONFIGURATION	DIM "A"	DIM "B"	"C" SPACES	"D" SPACES	"E" PLACES	"F" PLACES	MOUNTING FEATURE
10108888-R10253HLF	10P + 25S	51.74	46.14	4	9	25	60	HOLD DOWN
10108888-R08253HLF	08P + 25S	46.24	40.64	4	7	25	48	HOLD DOWN
10108888-R18353HLF	18P + 35S	77.74	72.14	6	17	35	108	HOLD DOWN
10108888-R20353HLF	20P + 35S	83.24	77.64	6	19	35	120	HOLD DOWN
10108888-R24403HLF	24P + 40S	96.24	90.64	7	23	40	144	HOLD DOWN



10108888-R10253HLF AS SHOWN
HOLD DOWN TYPE

spec ref	-	dr	Zhang Hong-Tu	2012/07/04	projection	MM	size	A2	scale	1:1	
tolerance std	ASME Y14.5	eng	Heaven Cen	2014/03/02			ecn no	ELX-DG-17027-1	rel level	Released	
TOLERANCES UNLESS OTHERWISE SPECIFIED		chr	Jon Qin	2014/03/02							
		appr	Collins Lu	2014/03/02							
surface	ASME Y14.5	linear	0.X	±0.30	0.XX	±0.20	0.XXX	±0.10	angular	0°	±2°
				PWR LP RECEPTACLE ASSEMBLY RA, PASSIVE GUIDE		cat. no.	Product - Customer Drw	sheet 4 of 7	rev H		



10108888-R10253HLF SHOWN
 RECOMMENDED PRINTED CIRCUIT BOARD LAYOUT SEE NOTE 4
 FOR 10108888-RXXXX3HLF
 (AS VIEWED FROM COMPONENT SIDE)

spec ref	-	dr	Zhang Hong-Tu	2012/07/04	projection	MM	size	A2	scale	1:1
tolerance std	ASME Y14.5	eng	Heaven Cen	2014/03/02			ecn no	ELX-DG-17027-1	rel level	Released
TOLERANCES UNLESS OTHERWISE SPECIFIED		chr	Jon Qin	2014/03/02						
		appr	Collins Lu	2014/03/02						
surface	ASME Y14.5	linear	0.X	±0.30	product family	PwrLoPro	rel level	Blue	title	PWR LP RECEPTACLE ASSEMBLY
			0.XX	±0.20	cat. no.	-	Product - Customer Drw	sheet 5 of 7	rev	H
		angular	0°	±2°						

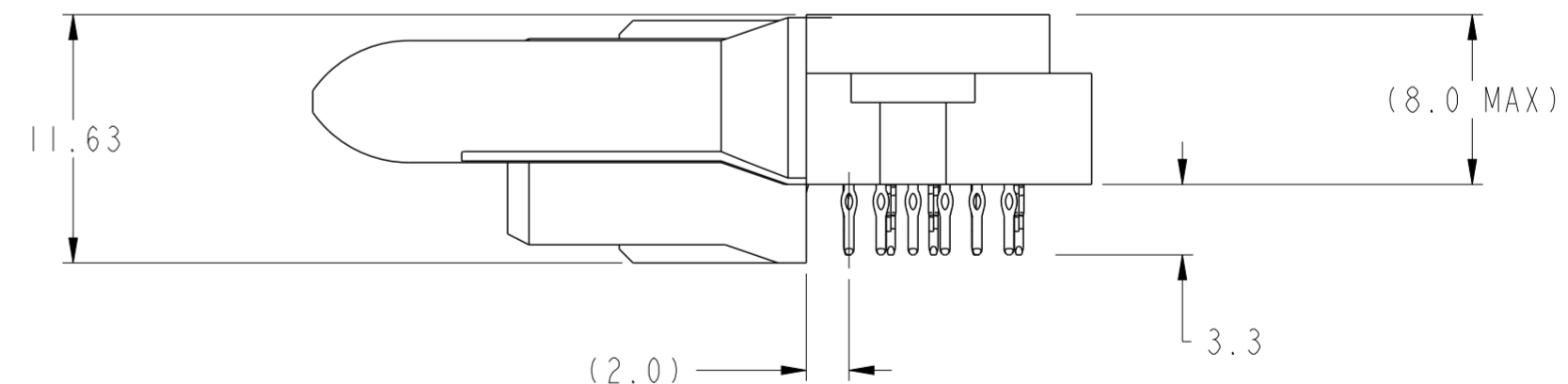
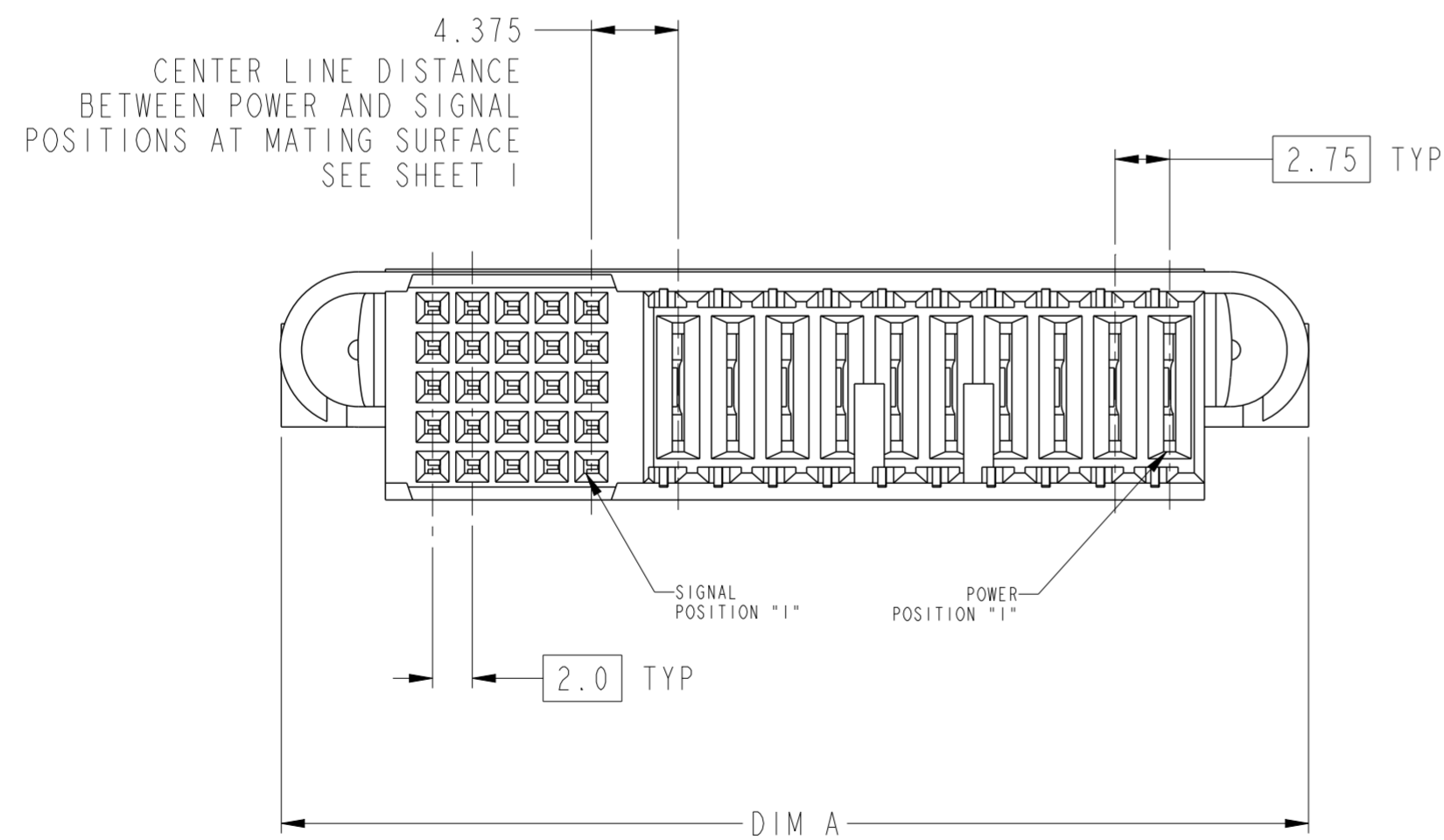
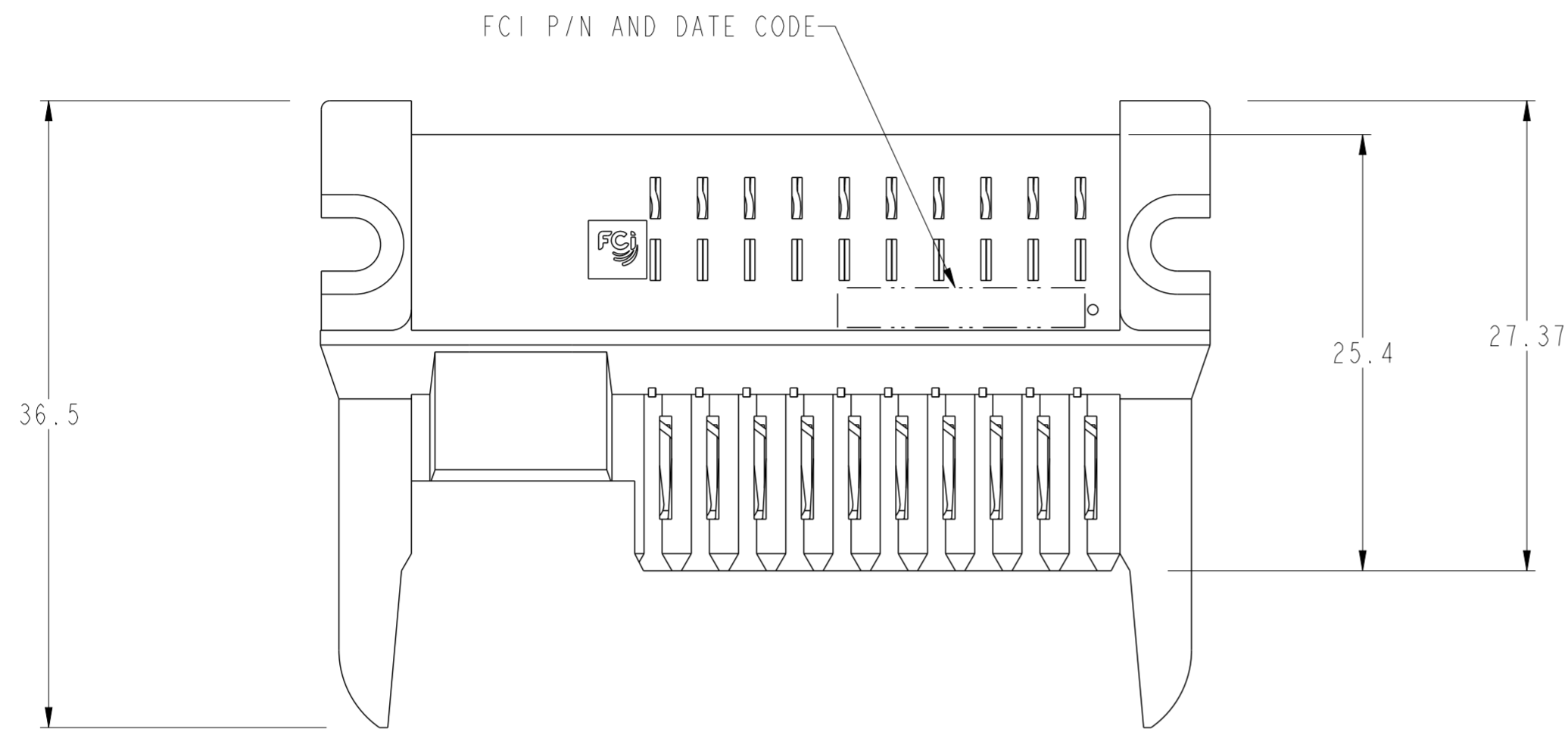
PDS: Rev :H

STATUS:Released

Printed: Mar 03, 2014

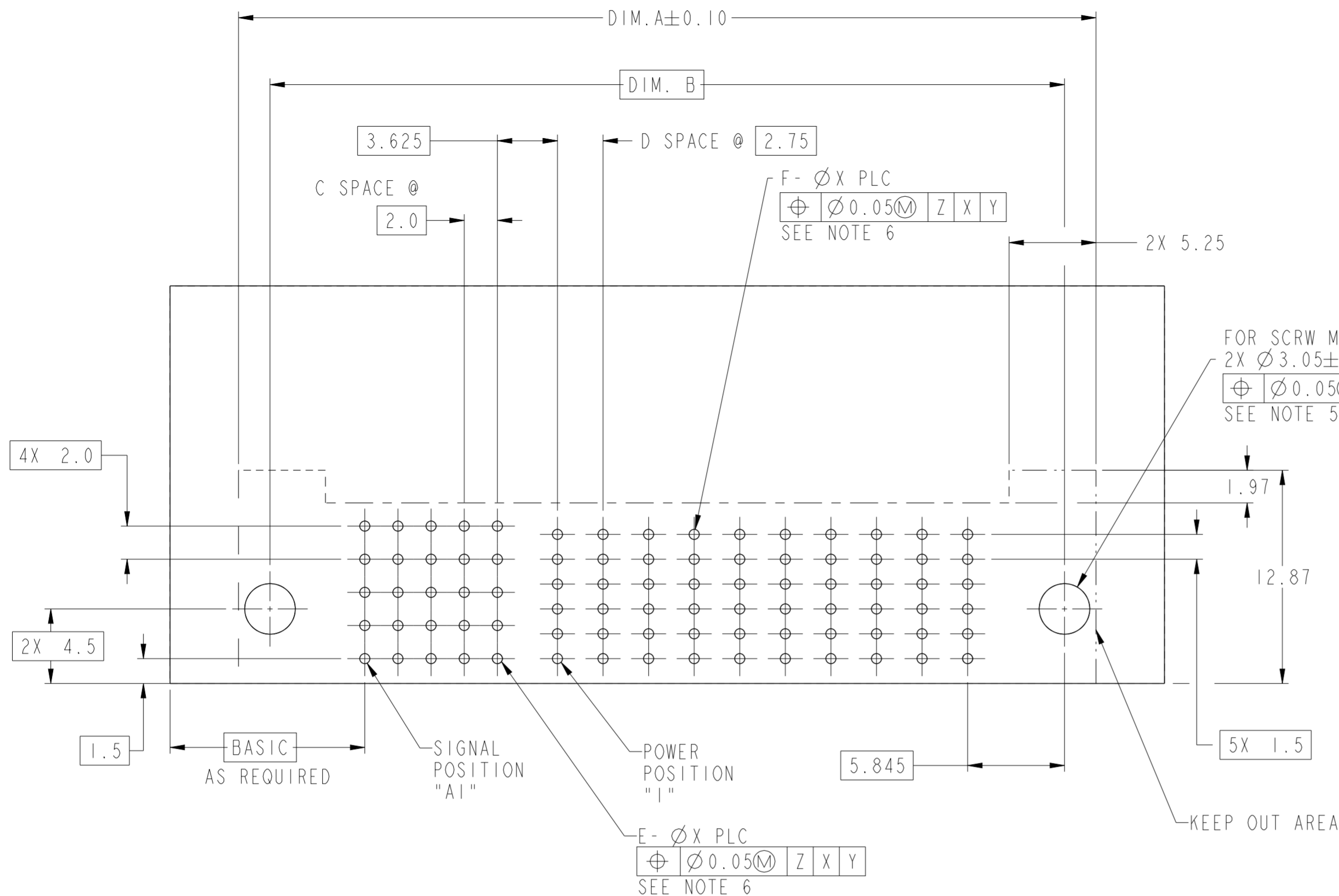
Copyright FCI. FCI

PART NUMBER	CONFIGURATION	DIM "A"	DIM "B"	"C" SPACES	"D" SPACES	"E" PLACES	"F" PLACES	MOUNTING FEATURE
10108888-L10253SLF	25S + 10P	51.74	47.94	4	9	25	60	SCREW MOUNT



10108888-L10253SLF AS SHOWN
SCREW MOUNT TYPE

spec ref	-	dr	Zhang Hong-Tu	2012/07/04	projection	MM	size	A2	scale	1:1	
tolerance std	ASME Y14.5	eng	Heaven Cen	2014/03/02			ecn no	ELX-DG-17027-1			
TOLERANCES UNLESS OTHERWISE SPECIFIED		chr	Jon Qin	2014/03/02			rel level	Released			
surface	✓	appr	Collins Lu	2014/03/02			product family	PwrLoPro			
ASME Y14.5	linear	0.X	±0.30		title PWR LP RECEPTACLE ASSEMBLY RA, PASSIVE GUIDE	dwg no 10108888	rev H	Product - Customer Drw			
	0.XX	±0.20	sheet 6 of 7								
	0.XXX	±0.10									
	angular	0°	±2°	www.fci.com	cat. no.						



10108888-L10253SLF SHOWN
 RECOMMENDED PRINTED CIRCUIT BOARD LAYOUT SEE NOTE 4
 FOR 10108888-LXXXX3SLF
 (AS VIEWED FROM COMPONENT SIDE)

NOTES:

- HOUSING MATERIAL: GF LCP, COLOR: BLACK, UL 94 V-0 RATED
 SIGNAL CONTACT MATERIAL: PHOSPHOR BRONZE
 SIGNAL PIN OVERMOLD MATERIAL: GF POLYESTER
 POWER CONTACT MATERIAL: COPPER ALLOY
 HOLD DOWN MATERIAL: PHOSPHOR BRONZE
- PLATING ON SIGNAL CONTACTS: 1.27µm MIN Ni UNDERPLATING ALL OVER WITH 0.76µm MIN GXT IN CONTACT MATING AREA, AND 0.5µm MIN MATTE TIN ON TAIL AREA.

 PLATING ON POWER CONTACTS: 1.27µm MIN Ni UNDERPLATING ALL OVER WITH 0.76µm MIN GXT IN CONTACT MATING AREA, AND 0.5µm MIN MATTE TIN ON TAIL AREA.
- LUBRICATION: LUBRICATE ON CONTACT AREA.
- RECOMMENDED PCB THICKNESS IS:
 FOR PRESS FIT APPLICATION: 1.4mm MIN
 FOR SOLDER APPLICATION: 1.40mm THROUGH 2.62mm.
- FOR SCREW MOUNT APPLICATIONS, A #4-40 UNC PAN SCREW WITH HEX NUT IS RECOMMENDED (SUPPLIED BY CUSTOMER).
- FOR PRESS FIT Ø0.61mm, FOR SOLDER Ø0.90mm.
- PRODUCT SPECIFICATION: GS-12-1064
 APPLICATION SPECIFICATION: GS-20-0362

spec ref	-	dr	Zhang Hong-Tu	2012/07/04	projection	MM	size	A2	scale	1:1
tolerance std	ASME Y14.5	eng	Heaven Cen	2014/03/02			ecn no	-	ELX-DG-17027-1	rel level
TOLERANCES UNLESS OTHERWISE SPECIFIED		chr	Jon Qin	2014/03/02						
		appr	Collins Lu	2014/03/02						
surface	✓	linear	0.X	±0.30		PWR LP RECEPTACLE ASSEMBLY RA, PASSIVE GUIDE	dwg no 10108888	-	rev H	
			0.XX	±0.20						
			0.XXX	±0.10						
ASME Y14.5	angular		0°	±2°	www.fci.com	cat. no.	-	Product - Customer Drw	sheet 7 of 7	