



Chipsmall Limited consists of a professional team with an average of over 10 year of expertise in the distribution of electronic components. Based in Hongkong, we have already established firm and mutual-benefit business relationships with customers from,Europe,America and south Asia,supplying obsolete and hard-to-find components to meet their specific needs.

With the principle of “Quality Parts,Customers Priority,Honest Operation,and Considerate Service”,our business mainly focus on the distribution of electronic components. Line cards we deal with include Microchip,ALPS,ROHM,Xilinx,Pulse,ON,Everlight and Freescale. Main products comprise IC,Modules,Potentiometer,IC Socket,Relay,Connector.Our parts cover such applications as commercial,industrial, and automotives areas.

We are looking forward to setting up business relationship with you and hope to provide you with the best service and solution. Let us make a better world for our industry!



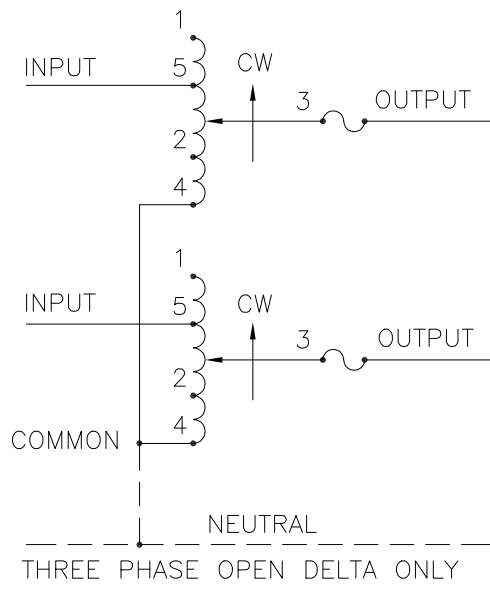
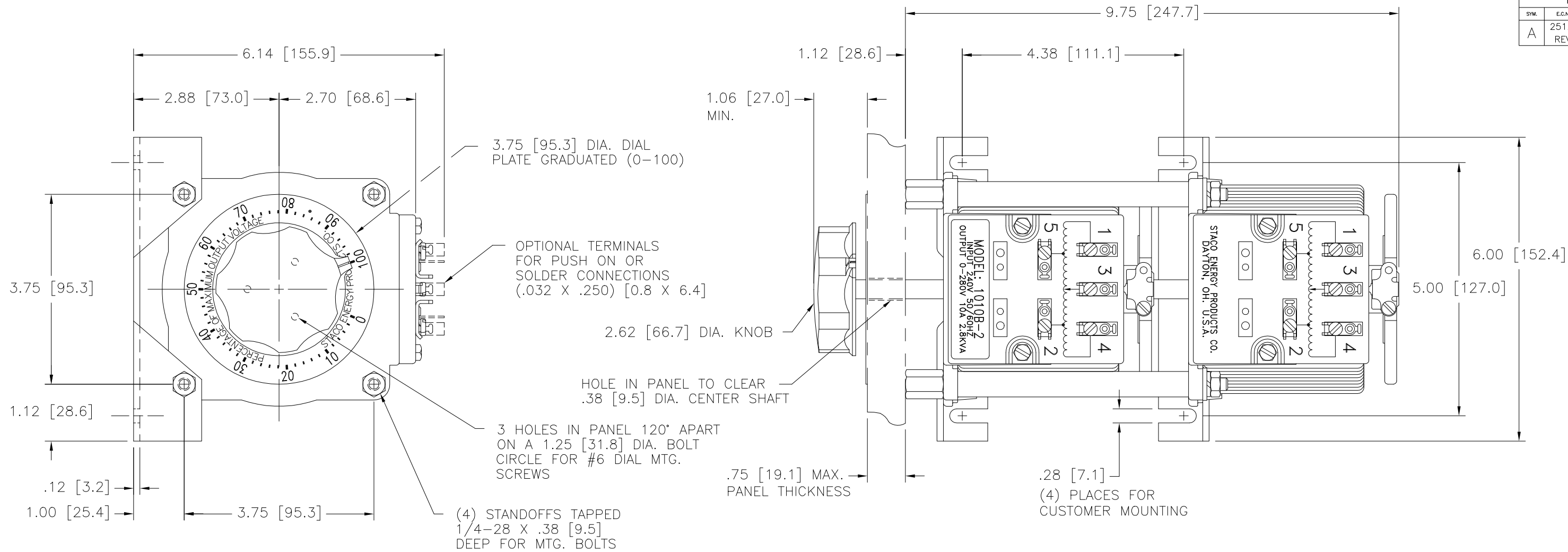
Contact us

Tel: +86-755-8981 8866 Fax: +86-755-8427 6832

Email & Skype: info@chipsmall.com Web: www.chipsmall.com

Address: A1208, Overseas Decoration Building, #122 Zhenhua RD., Futian, Shenzhen, China





SCHEMATIC
 THREE PHASE OPEN DELTA AND SINGLE PHASE SERIES. FUSE RECOMMENDED BUT NOT SUPPLIED.

π IF GANGED UNITS ARE USED IN A SYSTEM THAT ORDINARILY HAS A COMMON NEUTRAL OR GROUND BETWEEN SOURCE AND LOAD, THE NEUTRAL OR GROUND MUST BE CONNECTED TO THE COMMON TERMINALS OF THE VARIABLE TRANSFORMER ASSEMBLY. IF THE SYSTEM HAS NO NEUTRAL, THE LOAD MUST BE BALANCED OR THE TRANSFORMER WILL BE DAMAGED.

■ JUMPER PROVIDED IN STANDARD COMMON POSITION AND SHOULD BE MOVED OR REMOVED AS REQUIRED.

++ LINE TO LINE VOLTAGE.

SPECIFICATIONS											
WIRING	INPUT		OUTPUT				SHAFT ROTATION TO INCREASE VOLTAGE	TERMINAL CONNECTIONS			
	VOLTS	HERTZ	VOLTS	CONSTANT CURRENT LOAD MAX. AMPS	CONSTANT IMPEDANCE LOAD MAX. KVA	CONSTANT CURRENT LOAD MAX. AMPS		CONSTANT IMPEDANCE LOAD MAX. KVA	FOR INCREASING VOLTAGE AS VIEWED FROM BASE END ■		
								INPUT	JUMPER	OUTPUT	
SINGLE PHASE SERIES	240	50/60	0-240	10	2.4	13	3.12	CW	1-1	4-4	3-3
							CCW	4-4	1-1	3-3	
	0-280			10	2.8	—	—	CW	5-5	4-4	3-3
								CCW	2-2	1-1	3-3
THREE PHASE OPEN DELTA π	120	50/60	0-120	10	2.08	13	2.70	CW	1-4-1	4-4	3-4-3
								CCW	4-1-4	1-1	3-1-3
	0-140			10	2.42	—	—	CW	5-4-5	4-4	3-4-3
								CCW	2-1-2	1-1	3-1-3

UNLESS OTHERWISE SPECIFIED, TOLERANCE IS ± DECIMALS .XX .XXX .005 HOLES .002 ANGLES 1° DRAFT 1-1/2° UNITS IN [mm]

MATERIAL: ALL DIMENSIONS APPLY AFTER PLATING

TITLE: SPEC. CONTROL DRAWING VARIABLE TRANSFORMER MODEL: 1010B-2

STACO ENERGY PRODUCTS CO. A Components Corporation of America Company 302 Gadsden Boulevard Dayton, Ohio 45403 USA

DRAWN BY S.A. SMITH DATE 9/16/97 FIRST USED ON DO NOT SCALE DWG. CAGE CODE 83008 WEIGHT APPROX. 19 LBS

CHECKER DATE SCALE 1=1 SHEET 1 OF 1

ENGINEER DATE SCALE SHEET 1 OF 1

DWG. NO. 031-1620