



Chipsmall Limited consists of a professional team with an average of over 10 year of expertise in the distribution of electronic components. Based in Hongkong, we have already established firm and mutual-benefit business relationships with customers from,Europe,America and south Asia,supplying obsolete and hard-to-find components to meet their specific needs.

With the principle of “Quality Parts,Customers Priority,Honest Operation,and Considerate Service”,our business mainly focus on the distribution of electronic components. Line cards we deal with include Microchip,ALPS,ROHM,Xilinx,Pulse,ON,Everlight and Freescale. Main products comprise IC,Modules,Potentiometer,IC Socket,Relay,Connector.Our parts cover such applications as commercial,industrial, and automotives areas.

We are looking forward to setting up business relationship with you and hope to provide you with the best service and solution. Let us make a better world for our industry!



Contact us

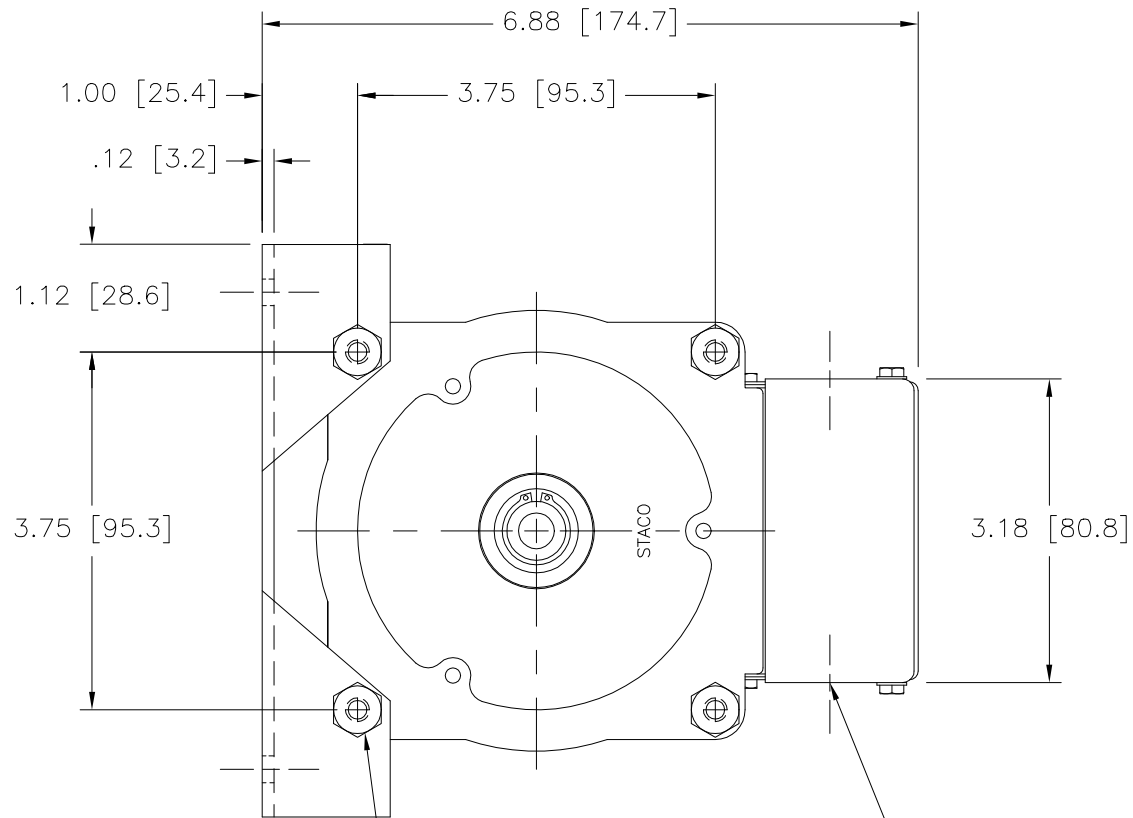
Tel: +86-755-8981 8866 Fax: +86-755-8427 6832

Email & Skype: info@chipsmall.com Web: www.chipsmall.com

Address: A1208, Overseas Decoration Building, #122 Zhenhua RD., Futian, Shenzhen, China

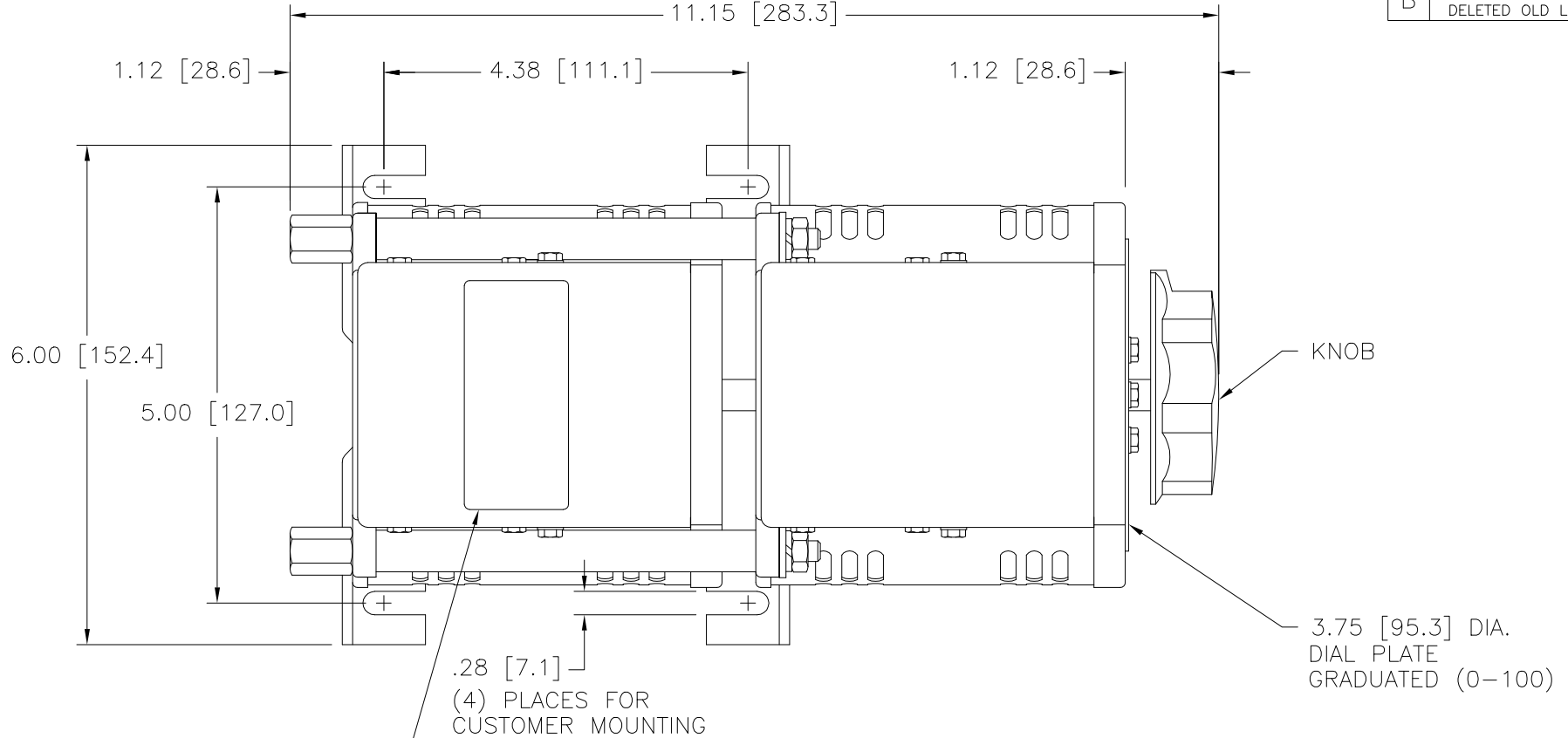


DWG. NO.	031-1664		
REVISIONS			
SYM.	E.C.N.	DATE	APVD.
A	24194	3/14/00	DELETED BLIND HOLES
B	25121	5/12/03	DELETED OLD LOGO



(4) STANDOFFS TAPPED
1/4-28 X .38 [9.5] DEEP
FOR MOUNTING BOLTS

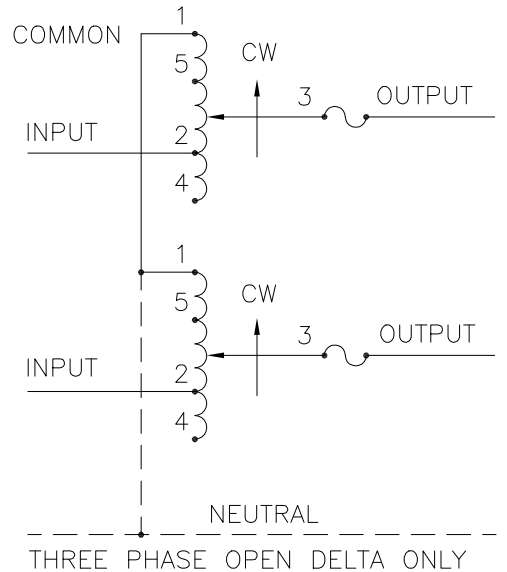
.88 [22.2] DIA. KNOCKOUT
(5) PLACES FOR
WIRING CONNECTIONS



⌘ IF GANGED UNITS ARE USED IN A SYSTEM THAT ORDINARILY HAS A COMMON NEUTRAL OR GROUND BETWEEN SOURCE AND LOAD, THE NEUTRAL OR GROUND MUST BE CONNECTED TO THE COMMON TERMINALS OF THE VARIABLE TRANSFORMER ASSEMBLY. IF THE SYSTEM HAS NO NEUTRAL, THE LOAD MUST BE BALANCED OR THE TRANSFORMER WILL BE DAMAGED.

■ JUMPER PROVIDED IN STANDARD COMMON POSITION AND SHOULD BE MOVED OR REMOVED AS REQUIRED.

++ LINE TO LINE VOLTAGE.



SCHEMATIC
THREE PHASE OPEN DELTA AND SINGLE
PHASE SERIES. FUSE RECOMMENDED BUT
NOT SUPPLIED.

SPECIFICATIONS											
WIRING	INPUT		OUTPUT				SHAFT ROTATION TO INCREASE VOLTAGE	TERMINAL CONNECTIONS			
	VOLTS	HERTZ	VOLTS	CONSTANT CURRENT LOAD		CONSTANT IMPEDANCE LOAD		FOR INCREASING VOLTAGE AS VIEWED FROM BASE END ■			
				MAX. AMPS	MAX. KVA	MAX. AMPS		MAX. KVA	INPUT	JUMPER	OUTPUT
SINGLE PHASE SERIES	240	50/60	0-240	10	2.4	13	3.12	CW	1-1	4-4	3-3
			0-280	10	2.8	—	—	CCW	4-4	1-1	3-3
								CW	5-5	4-4	3-3
			CCW	2-2	1-1	3-3					
THREE PHASE OPEN DELTA ⌘	120 ++	50/60	0-120	10	2.08	13	2.70	CW	1-4-1	4-4	3-4-3
			0-140	10	2.42	—	—	CCW	4-1-4	1-1	3-1-3
								CW	5-4-5	4-4	3-4-3
			CCW	2-1-2	1-1	3-1-3					

UNLESS OTHERWISE SPECIFIED, TOLERANCE IS ± DECIMALS: HOLES .002, ANGLES 1°, DRAFT 1-1/2°. UNITS: IN [mm].

MATERIAL: ALL DIMENSIONS APPLY AFTER PLATING.

TITLE: SPEC. CONTROL DRAWING VARIABLE TRANSFORMER MODEL: 1010BCT-2

STACO ENERGY PRODUCTS CO. A Components Corporation of America Company 302 South Boulevard Dayton, Ohio 45403 USA

DRAWN BY	DATE	FIRST USED ON	DO NOT SCALE DWG.
S.A. SMITH	9/18/97		
CHECKER	DATE	WEIGHT APPROX.	CAGE CODE
		22.5 LBS	83008
ENGINEER	DATE	SCALE	DWG. NO.
		1=1	031-1664

The information and design disclosed herein was originated by and is the property of STACO ENERGY PRODUCTS CO., which reserves all patent, proprietary, design, manufacturing, reproduction, use and sale rights thereto, and to any article disclosed therein except to the extent rights are expressly granted to others. The foregoing does not apply to vendor proprietary parts.

SCALE: SHEET 1 OF 1