



Chipsmall Limited consists of a professional team with an average of over 10 year of expertise in the distribution of electronic components. Based in Hongkong, we have already established firm and mutual-benefit business relationships with customers from,Europe,America and south Asia,supplying obsolete and hard-to-find components to meet their specific needs.

With the principle of “Quality Parts,Customers Priority,Honest Operation,and Considerate Service”,our business mainly focus on the distribution of electronic components. Line cards we deal with include Microchip,ALPS,ROHM,Xilinx,Pulse,ON,Everlight and Freescale. Main products comprise IC,Modules,Potentiometer,IC Socket,Relay,Connector.Our parts cover such applications as commercial,industrial, and automotives areas.

We are looking forward to setting up business relationship with you and hope to provide you with the best service and solution. Let us make a better world for our industry!



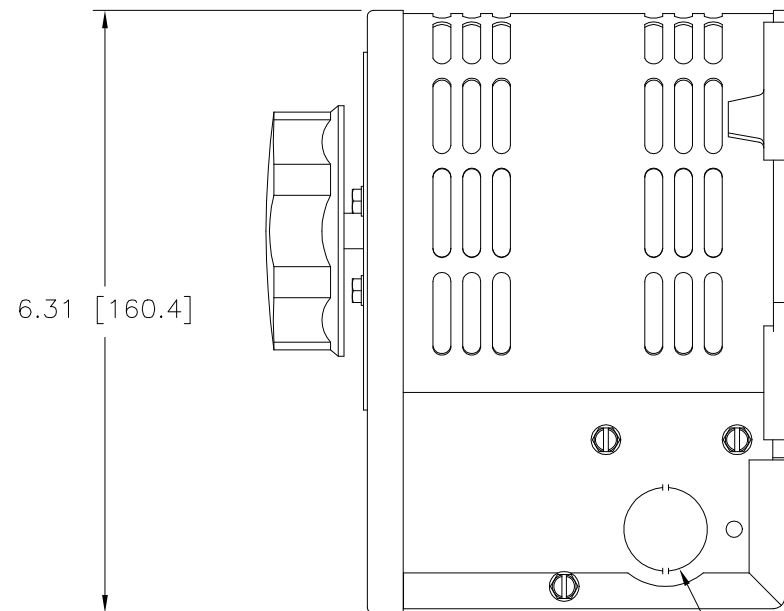
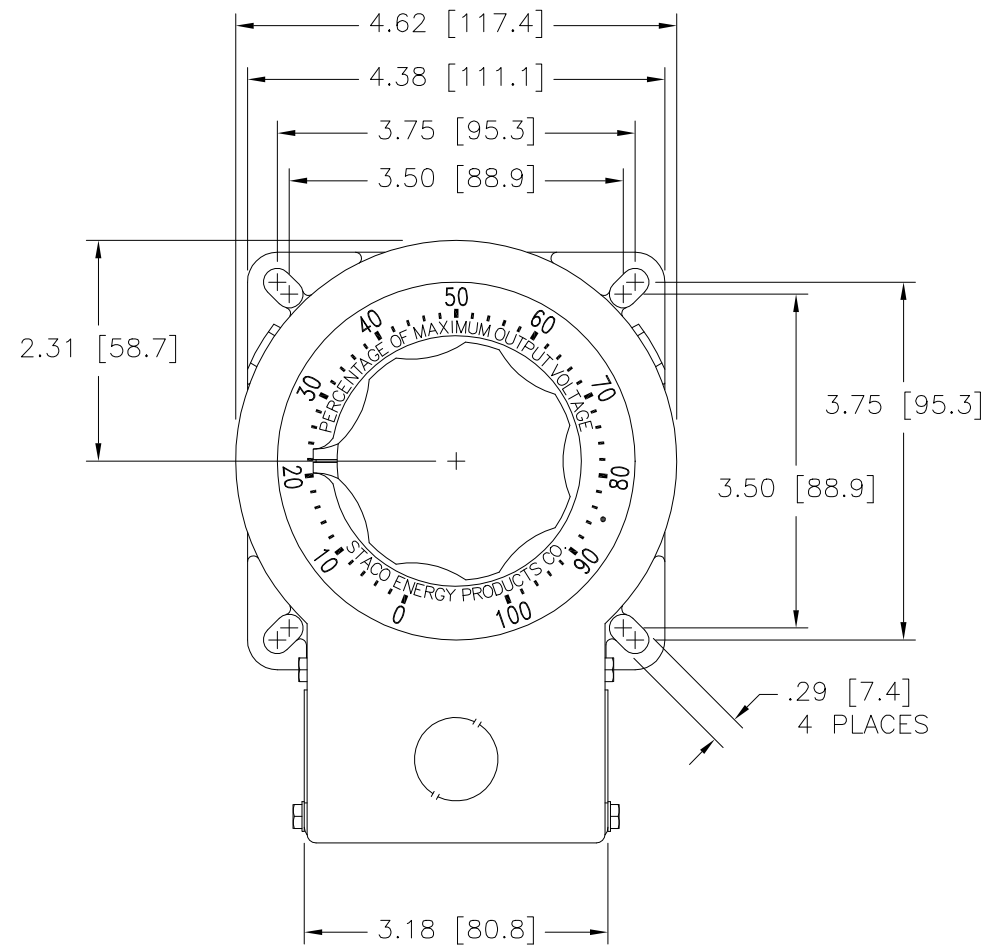
Contact us

Tel: +86-755-8981 8866 Fax: +86-755-8427 6832

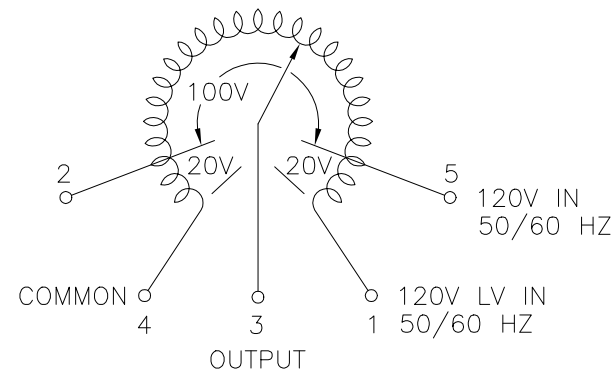
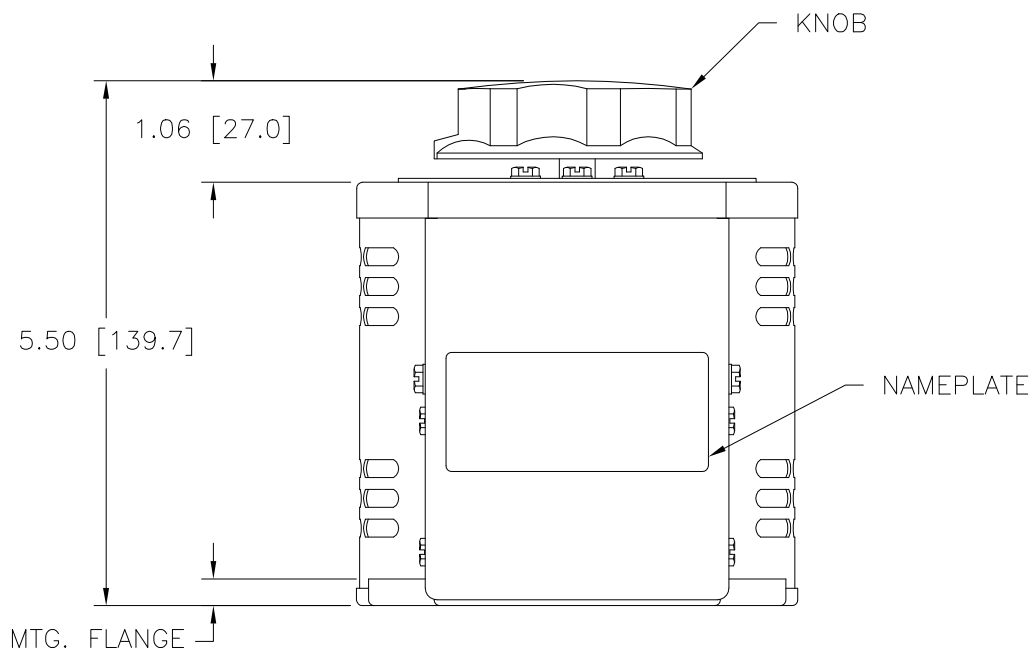
Email & Skype: info@chipsmall.com Web: www.chipsmall.com

Address: A1208, Overseas Decoration Building, #122 Zhenhua RD., Futian, Shenzhen, China





.88 [22.2] DIA. KNOCKOUT
(3) PLACES FOR
WIRING CONNECTIONS



SCHMATIC
VIEW FROM BASE END
FUSE RECOMMENDED BUT NOT SUPPLIED

SPECIFICATIONS											
WIRING	INPUT		OUTPUT				SHAFT ROTATION TO INCREASE VOLTAGE	TERMINAL CONNECTIONS			
	VOLTS	HERTZ	VOLTS	CONSTANT CURRENT LOAD		CONSTANT IMPEDANCE LOAD		FOR INCREASING VOLTAGE AS VIEWED FROM BASE END			
				MAX. AMPS	MAX. KVA	MAX. AMPS		MAX. KVA	INPUT	JUMPER	OUTPUT
SINGLE PHASE	120	50/60	0-120	10	1.2	13	1.56	CW	1-4	---	4-3
			0-140	10	1.4	---	---	CCW	1-4	---	1-3
								CW	4-5	---	4-3
			CCW	1-2	---	1-3					

UNLESS OTHERWISE SPECIFIED, TOLERANCE IS ±
DECIMALS HOLES ANGLES DRAFT
.XX .0008 .06 .002 1° 1-1/2°
XXX .005

MATERIAL: ALL DIMENSIONS APPLY AFTER PLATING

TITLE: SPEC. CONTROL DRAWING
VARIABLE TRANSFORMER
MODEL: 1010BCT

DRAWN BY: S.A. SMITH
CHECKER: DATE: ENGINEER: DATE:

DATE: 9/17/97
FIRST USED ON: DO NOT SCALE DWG.
WEIGHT APPROX. 10.25 LBS
SCALE 1=1
CAGE CODE 83008
SHEET 1 OF 1

