



Chipsmall Limited consists of a professional team with an average of over 10 year of expertise in the distribution of electronic components. Based in Hongkong, we have already established firm and mutual-benefit business relationships with customers from,Europe,America and south Asia,supplying obsolete and hard-to-find components to meet their specific needs.

With the principle of “Quality Parts,Customers Priority,Honest Operation,and Considerate Service”,our business mainly focus on the distribution of electronic components. Line cards we deal with include Microchip,ALPS,ROHM,Xilinx,Pulse,ON,Everlight and Freescale. Main products comprise IC,Modules,Potentiometer,IC Socket,Relay,Connector.Our parts cover such applications as commercial,industrial, and automotives areas.

We are looking forward to setting up business relationship with you and hope to provide you with the best service and solution. Let us make a better world for our industry!



## Contact us

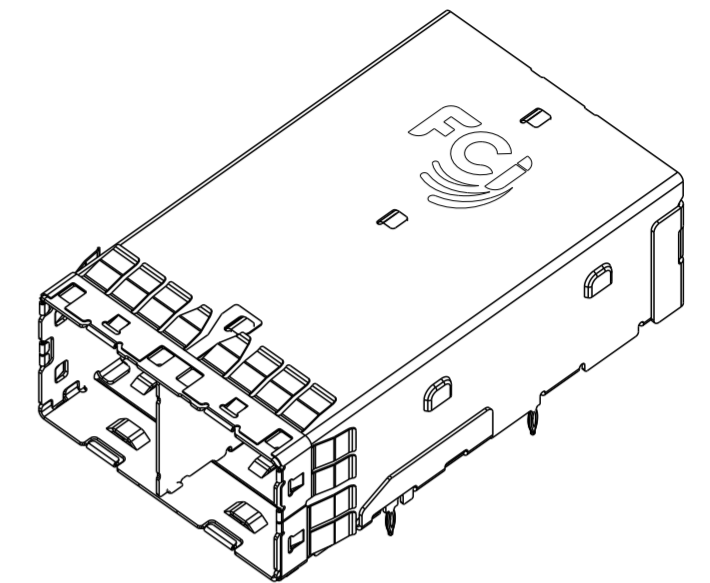
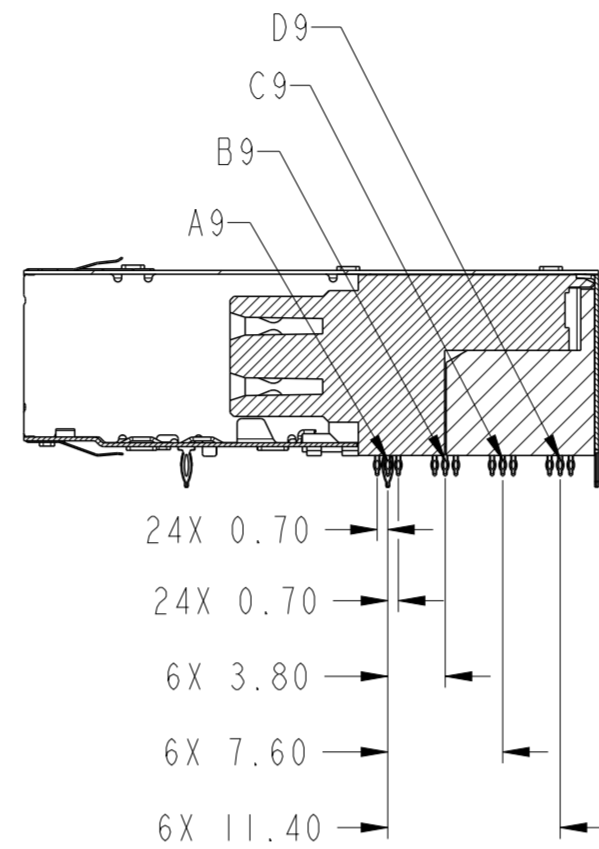
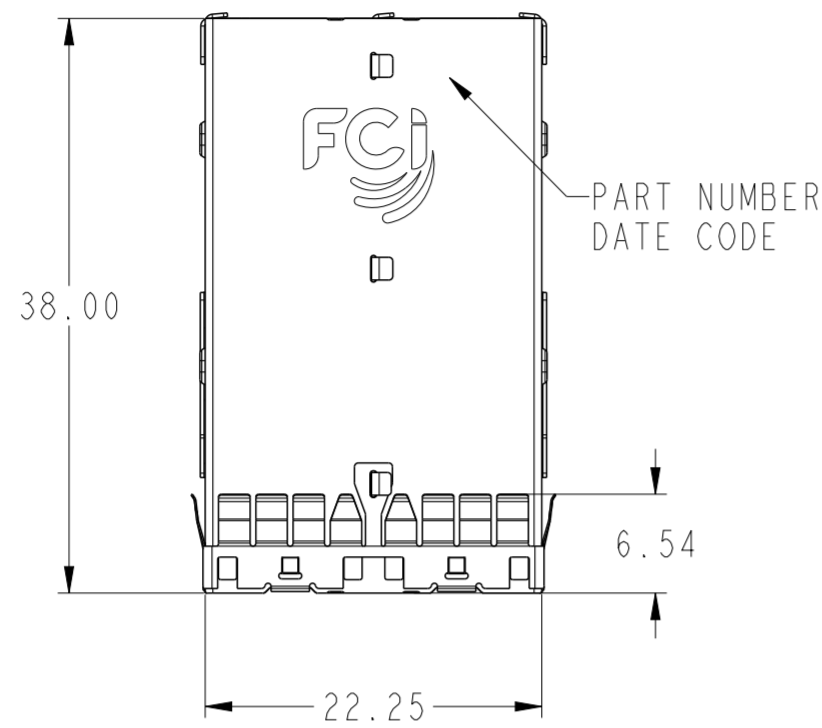
Tel: +86-755-8981 8866 Fax: +86-755-8427 6832

Email & Skype: info@chipsmall.com Web: www.chipsmall.com

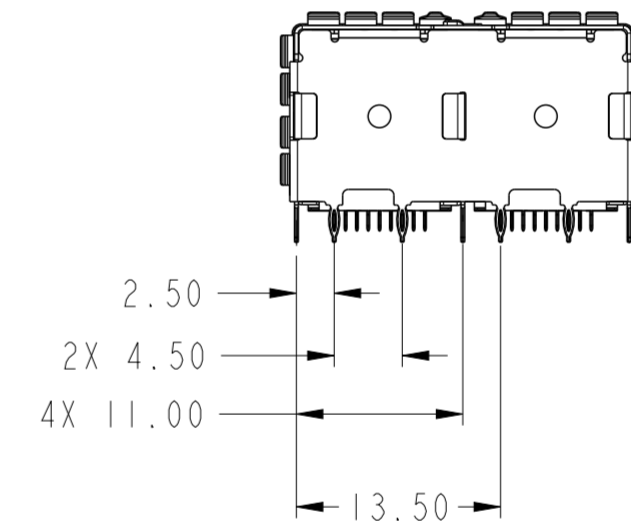
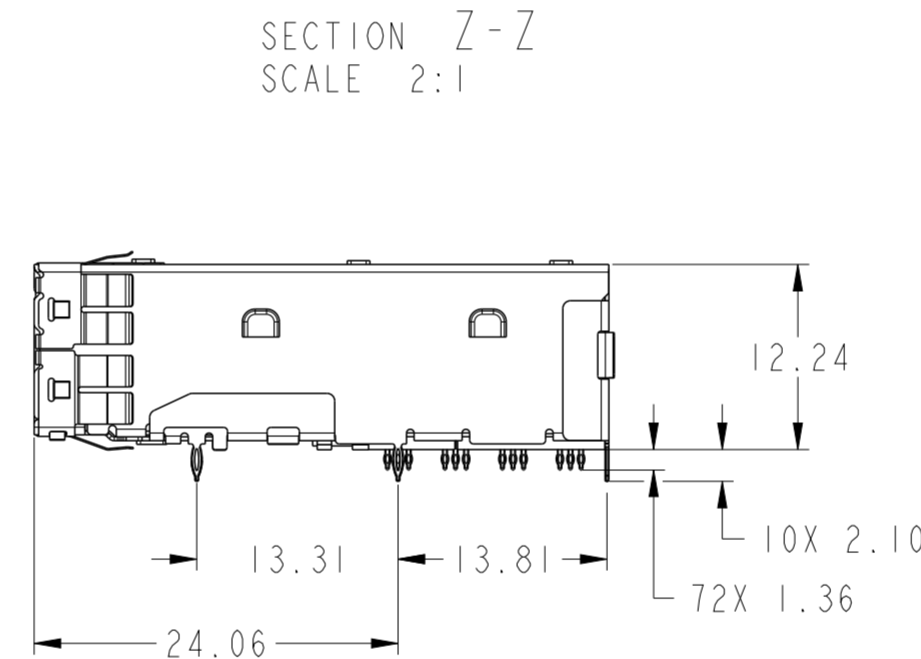
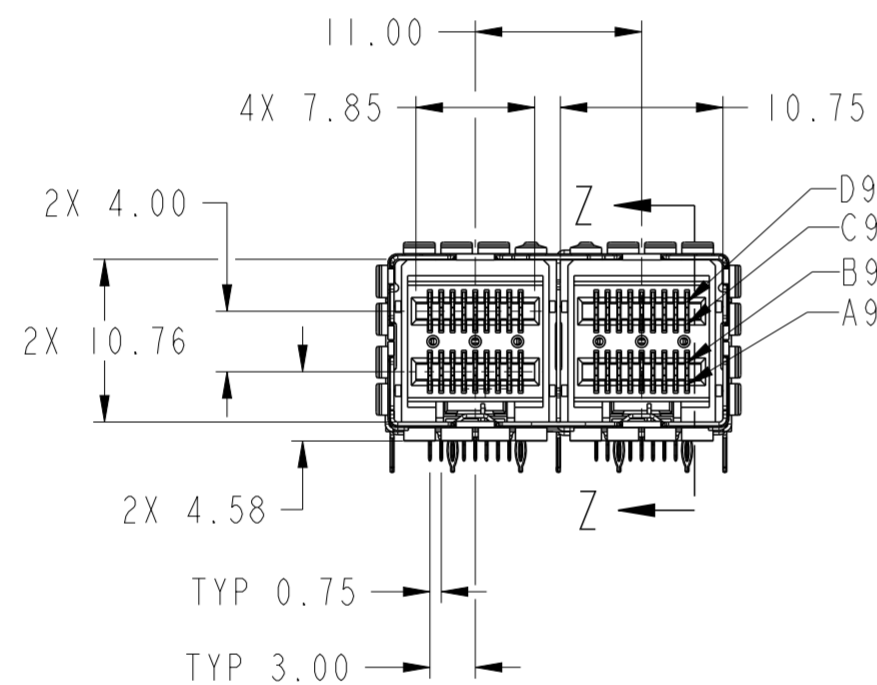
Address: A1208, Overseas Decoration Building, #122 Zhenhua RD., Futian, Shenzhen, China



PRODUCT NUMBER	TAIL PLATING OPTION, SEE NOTE 2	DESCRIPTION
10112627-101	OPTION 1	WITHOUT STOPS
10112627-101LF	OPTION 2	WITHOUT STOPS
10112627-102	OPTION 1	WITH STOPS
10112627-102LF	OPTION 2	WITH STOPS



10112627-101 & 101LF  
WITHOUT STOPS



NOTES:

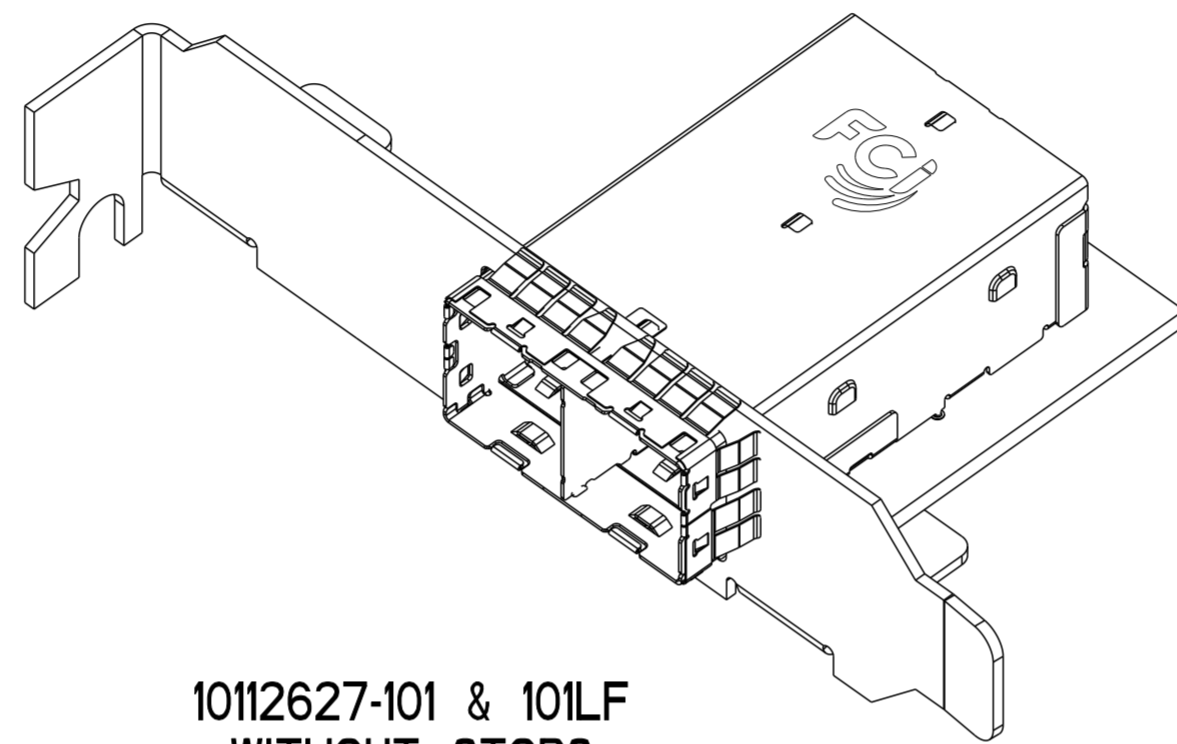
- MATERIALS:**  
CONNECTOR HOUSING: HIGH TEMPERATURE THERMOPLASTIC  
GLASS FILLED, UL 94V-0  
EMI CAGE: NICKEL SILVER ALLOY  
EMI FINGERS: COPPER ALLOY  
TERMINALS: COPPER ALLOY
- FINISHES:**  
EMI FINGERS: 0.50µm MIN NICKEL  
CONTACT AREA: 0.76µm MIN GOLD OVER 2.54µm MIN NICKEL  
TAIL AREA:  
OPTION 1: 0.76µm - 1.52µm TIN/LEAD (90/10) OVER 2.54µm MIN NICKEL  
OPTION 2: 0.76µm - 1.52µm TIN (LEAD FREE) OVER 2.54µm MIN NICKEL
- PRODUCT SPECIFICATION:** GS-12-651.  
**APPLICATION SPECIFICATION:** GS-20-0327
- MOUNTING HARDWARE:** M2X0.4 BUTTON HEAD SCREW  
**MOUNTING SCREW LENGTH:** BOARD THICKNESS + 1.4mm MAX (0.9mm MIN).  
2 REQUIRED PER ASSEMBLY
- THIS CONNECTOR IS DESIGNED TO MEET THE REQUIREMENTS OF INDUSTRY SPECIFICATION SFF-8644.
- THE USE OF A PCI BRACKET OR EQUIVALENT IS REQUIRED FOR THIS PRODUCT
- A SYMBOL WILL BE NEXT TO ANY DIMENSION, VIEW, OR NOTE THAT HAS BEEN MODIFIED WITH THE CURRENT DRAWING REVISION.

MATES WITH MINI-SAS HD ENDS IN:	
10112041 SERIES (4X)	
10117771 SERIES (4X)	
10117946 SERIES (4X)	
10117949 SERIES (4X)	
10117947 SERIES (8X)	
10112359 SERIES (8X)	
10117950 SERIES (8X)	
10117948 SERIES (8X)	

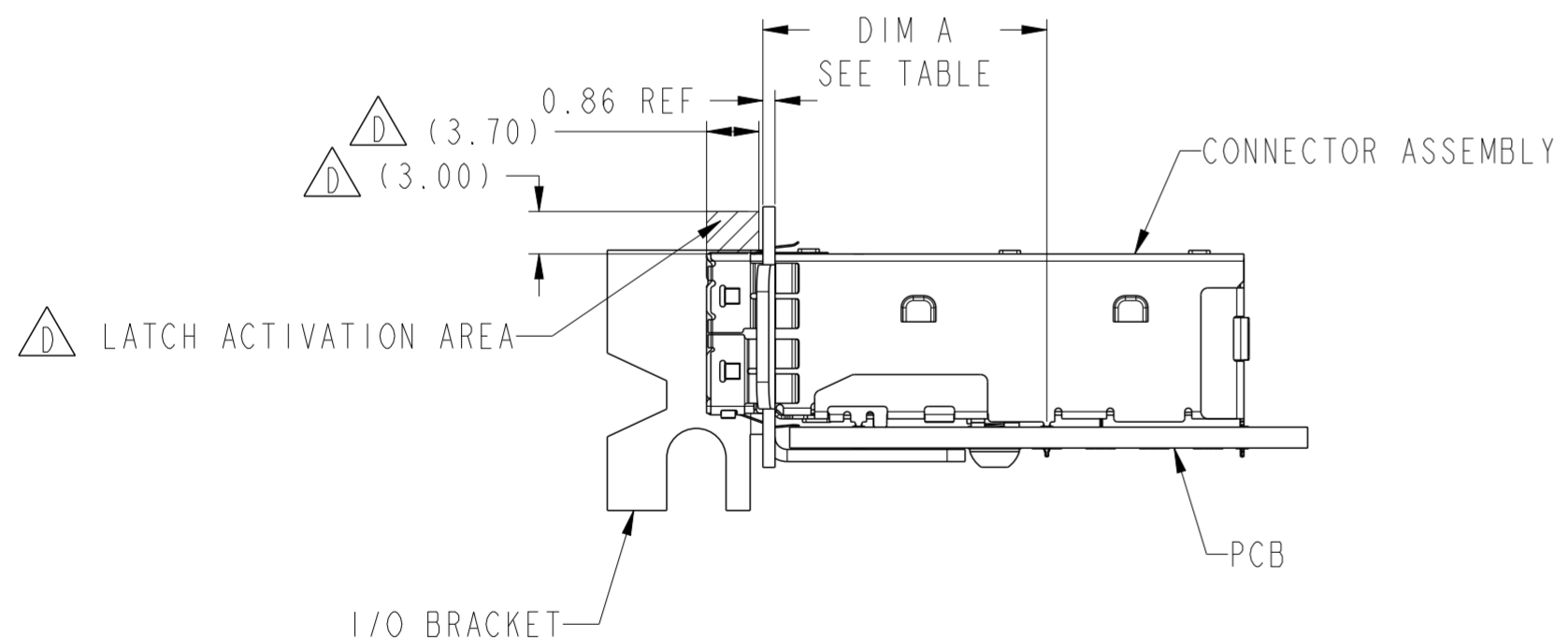
spec ref	-	dr	Mark Gray	2010/08/04	projection	MM	size	A2	scale	2:1												
tolerance std	ASME Y14.5	eng	M Scholeno	2012/09/10			ecn no	ELX-V-012260-1	rel level	Released												
TOLERANCES UNLESS OTHERWISE SPECIFIED		chr	-	apppr							Brad Brubaker	2012/09/12	product family	MINI-SAS HD								
surface	<table border="1"> <tr> <td>linear</td> <td>0.X</td> <td>±0.25</td> </tr> <tr> <td></td> <td>0.XX</td> <td>±0.13</td> </tr> <tr> <td></td> <td>0.XXX</td> <td>±</td> </tr> <tr> <td>angular</td> <td>0°</td> <td>±1/2°</td> </tr> </table>	linear	0.X	±0.25		0.XX	±0.13		0.XXX	±	angular	0°	±1/2°			<b>IX2 EXTERNAL ASSEMBLY</b> MINI-SAS HD		title MINI-SAS HD	dwg no 10112627	rev D	www.fci.com	cat. no.
linear	0.X	±0.25																				
	0.XX	±0.13																				
	0.XXX	±																				
angular	0°	±1/2°																				
Product - Customer Drw sheet 1 of 7																						

APPLICATION	DIM A
PCI ADD-IN CARD	19.00±0.15
ALL OTHER APPLICATIONS	20.08±0.15

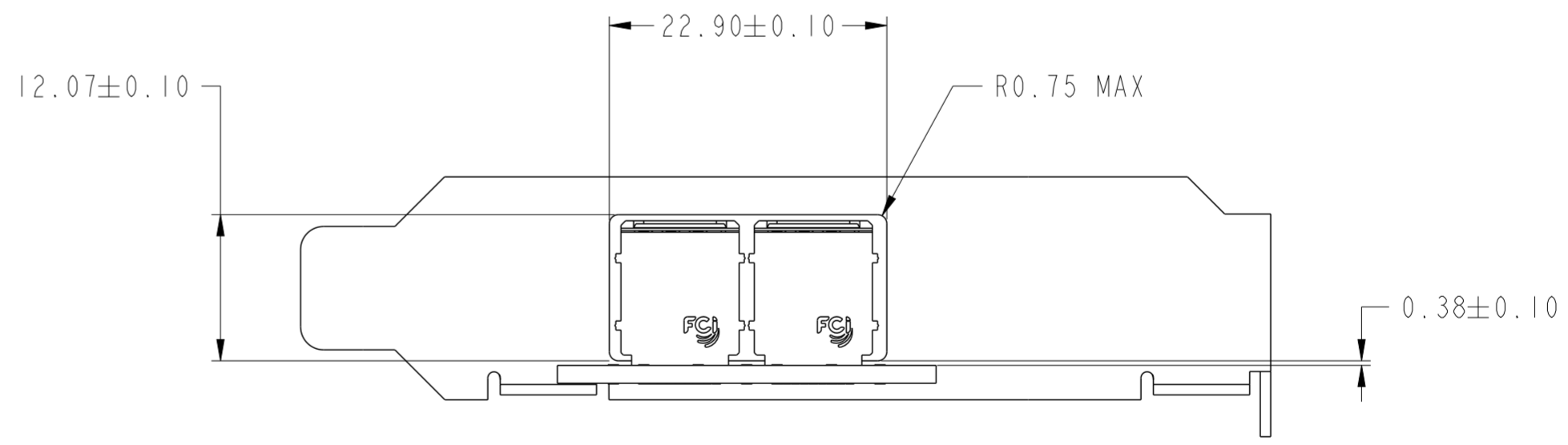
I/O BRACKET CUT OUT  
(BRACKET NOT INCLUDED)  
SEE NOT 6



10112627-101 & 101LF  
WITHOUT STOPS  
SCALE 2:1



ASSEMBLED VIEW  
WITHOUT STOPS  
SCALE 2:1



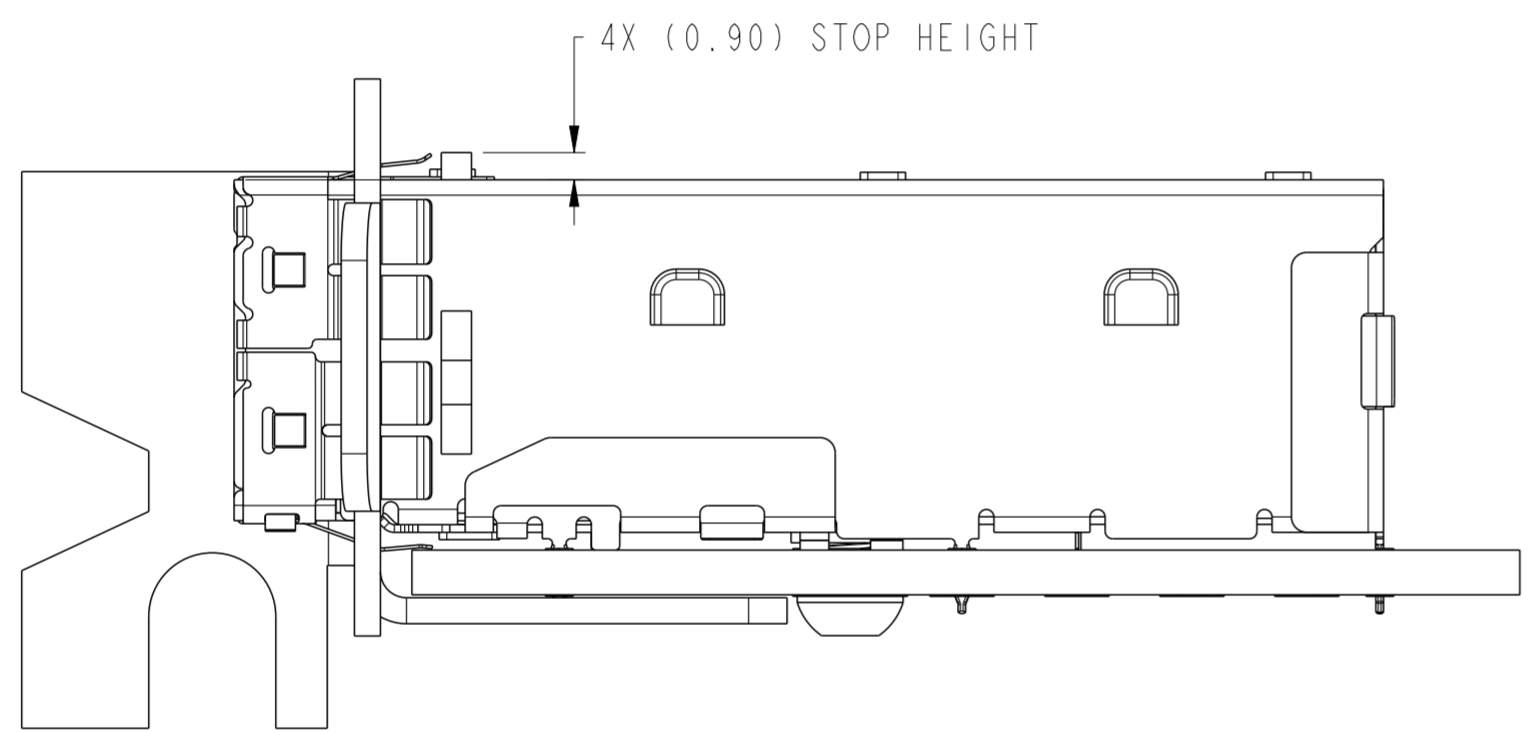
Copyright FCI. FCI

spec ref	-	dr	Mark Gray	2010/08/04	projection	MM	size	A2	scale	1:1	
tolerance std	ASME Y14.5	eng	M Scholeno	2012/09/10			ecn no	ELX-V-012260-1	rel level	Released	
TOLERANCES UNLESS OTHERWISE SPECIFIED		chr	-	product family							MINI-SAS HD
surface	✓	appr	Brad Brubaker	2012/09/12	title	IX2 EXTERNAL ASSEMBLY		dwg no	10112627	rev	D
ASME Y14.5	linear	0.X	±0.25	www.fci.com	cat. no.	-	Product - Customer Drw	sheet 2 of 7			
	angular	0°	±1/2°								

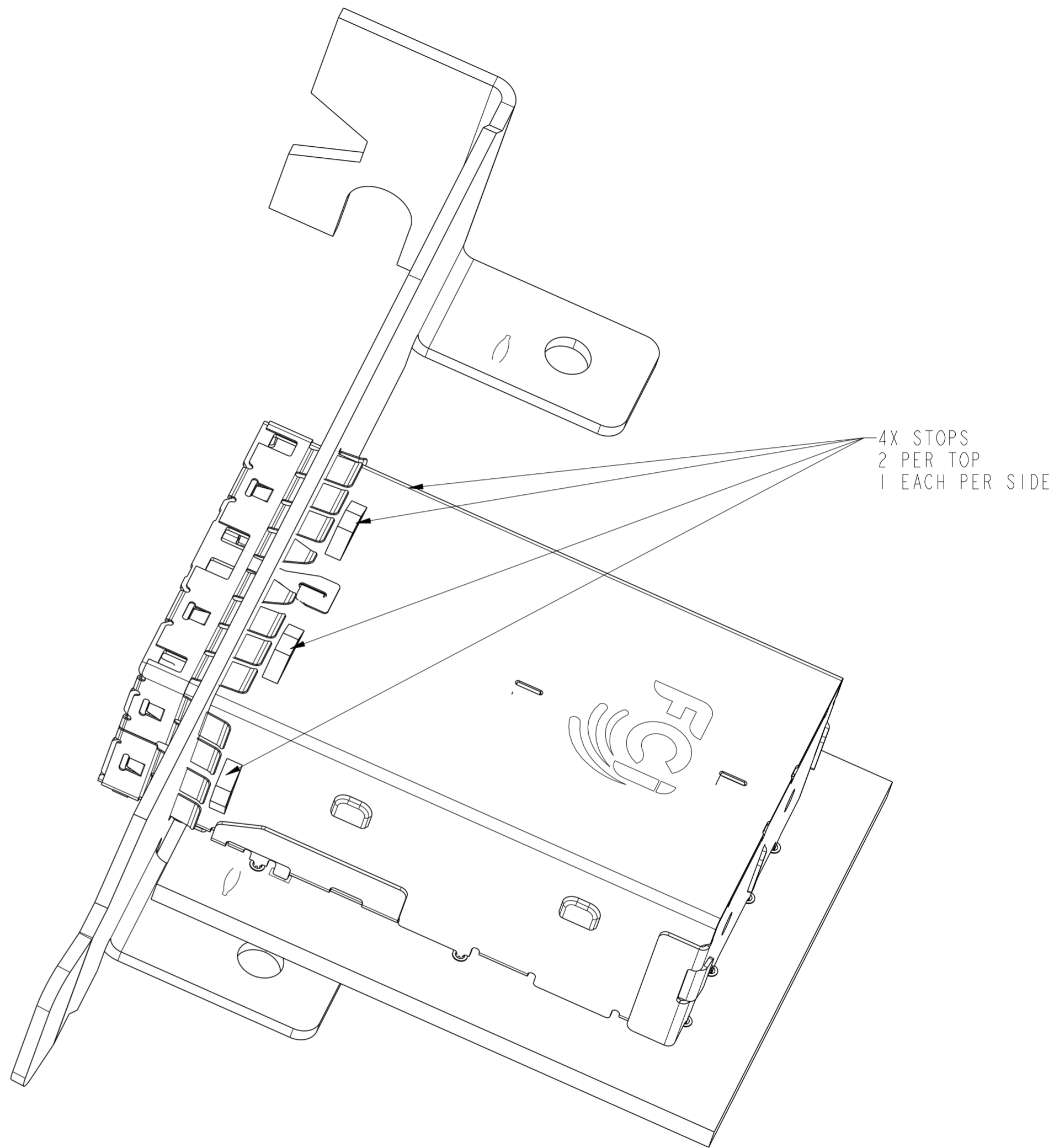
PDS: Rev :D

STATUS:Released

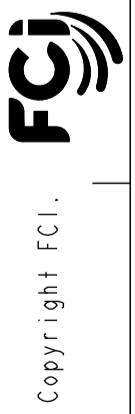
Printed: Sep 13, 2012



ASSEMBLED VIEW  
WITH STOPS  
SCALE 4:1



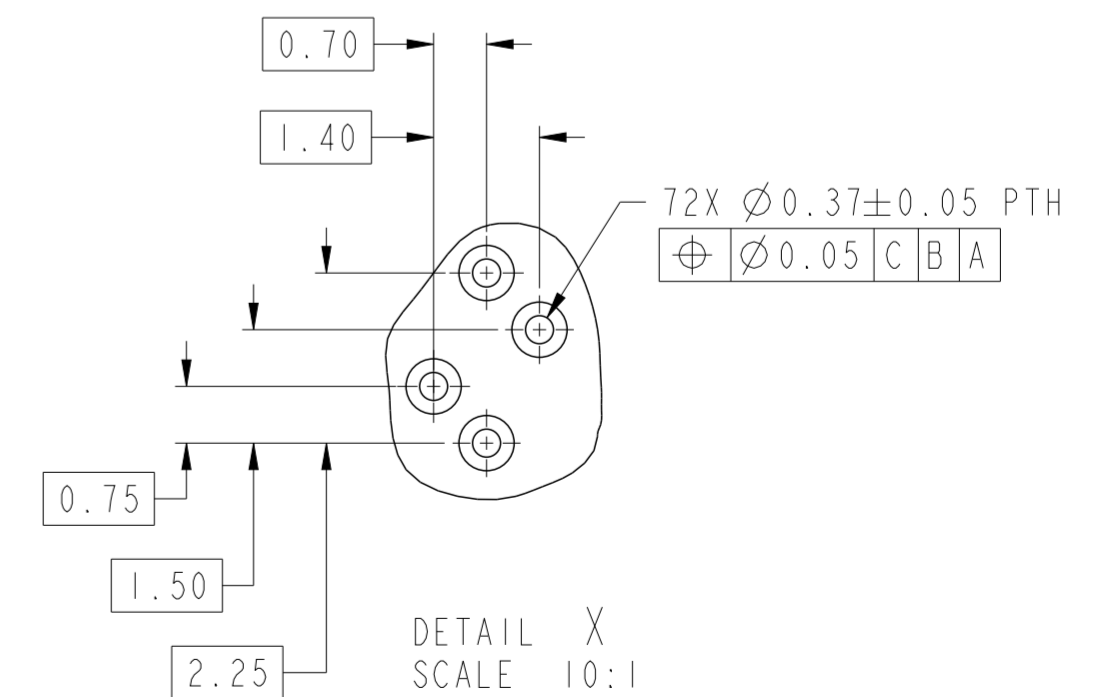
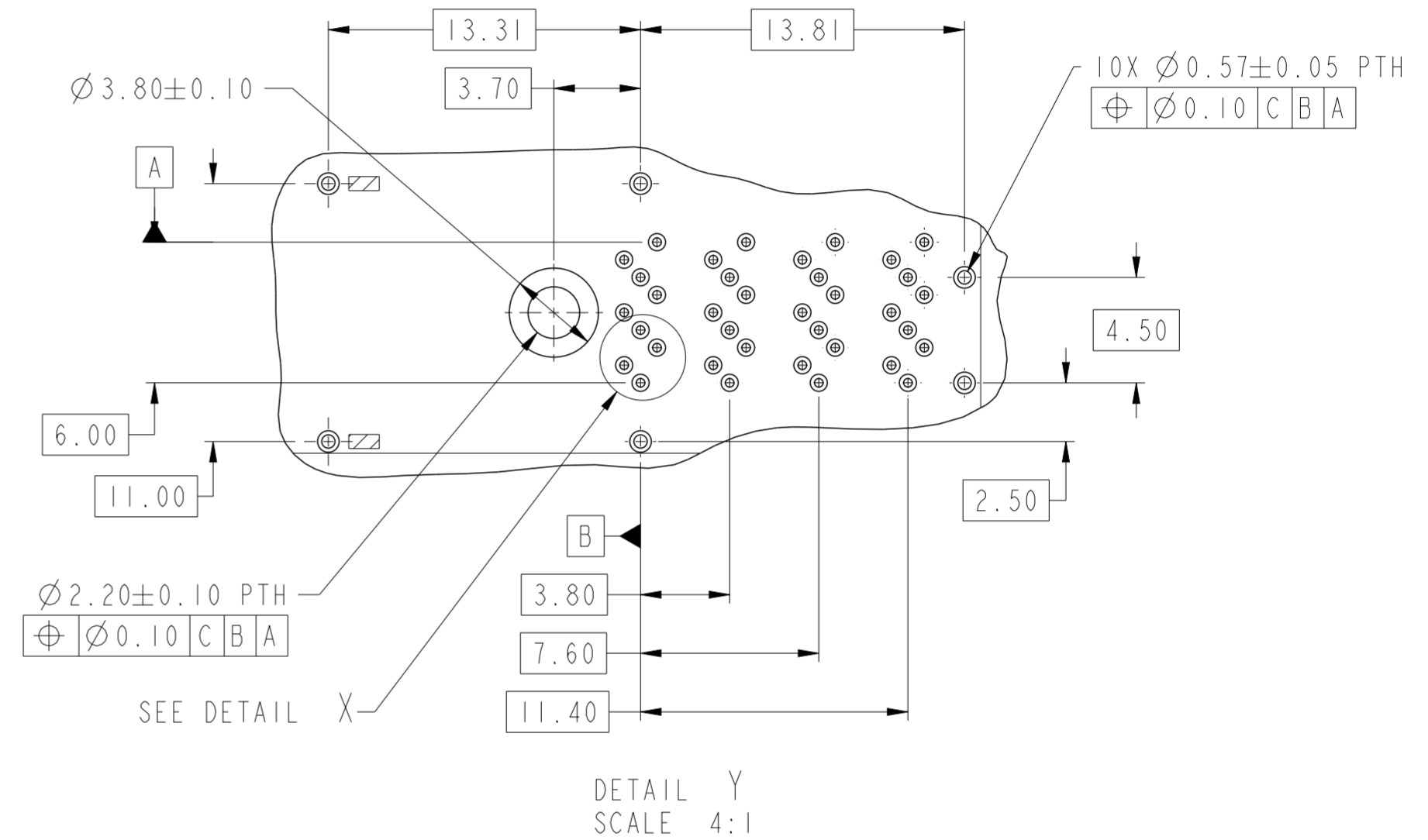
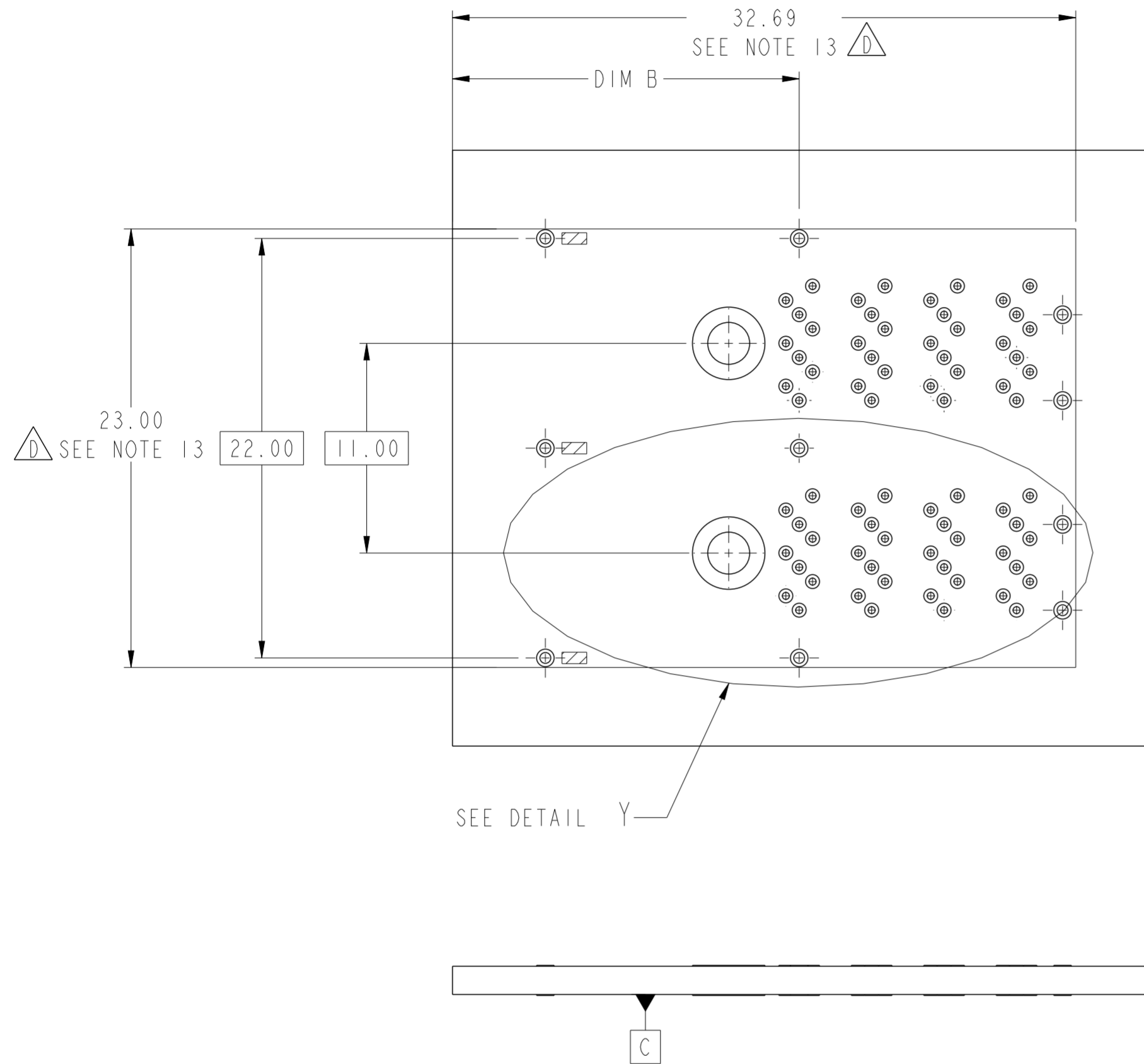
10112627-102 & 102LF  
WITH STOPS  
SCALE 4:1



spec ref -		dr Mark Gray 2010/08/04		projection	MM	size A2	scale 1:1
tolerance std ASME Y14.5		eng M Scholeno 2012/09/10				ecn no ELX-V-012260-1	
TOLERANCES UNLESS OTHERWISE SPECIFIED		chr -				rel level	
ASME Y14.5		appr Brad Brubaker 2012/09/12		product family MINI-SAS HD		rev	
surface ✓	linear	0.X	±0.25		title IX2 EXTERNAL ASSEMBLY MINI-SAS HD	dwg no 10112627	rev D
		0.XX	±0.13				
		0.XXX	±				
ASME Y14.5	angular	0°	±1/2°	www.fci.com	cat. no.	Product - Customer Drw	sheet 3 of 7

APPLICATION	DIM B
PCI ADD-IN CARD	17.10±0.15
ALL OTHER APPLICATIONS	18.19±0.15

# RECOMMENDED BOARD LAYOUT

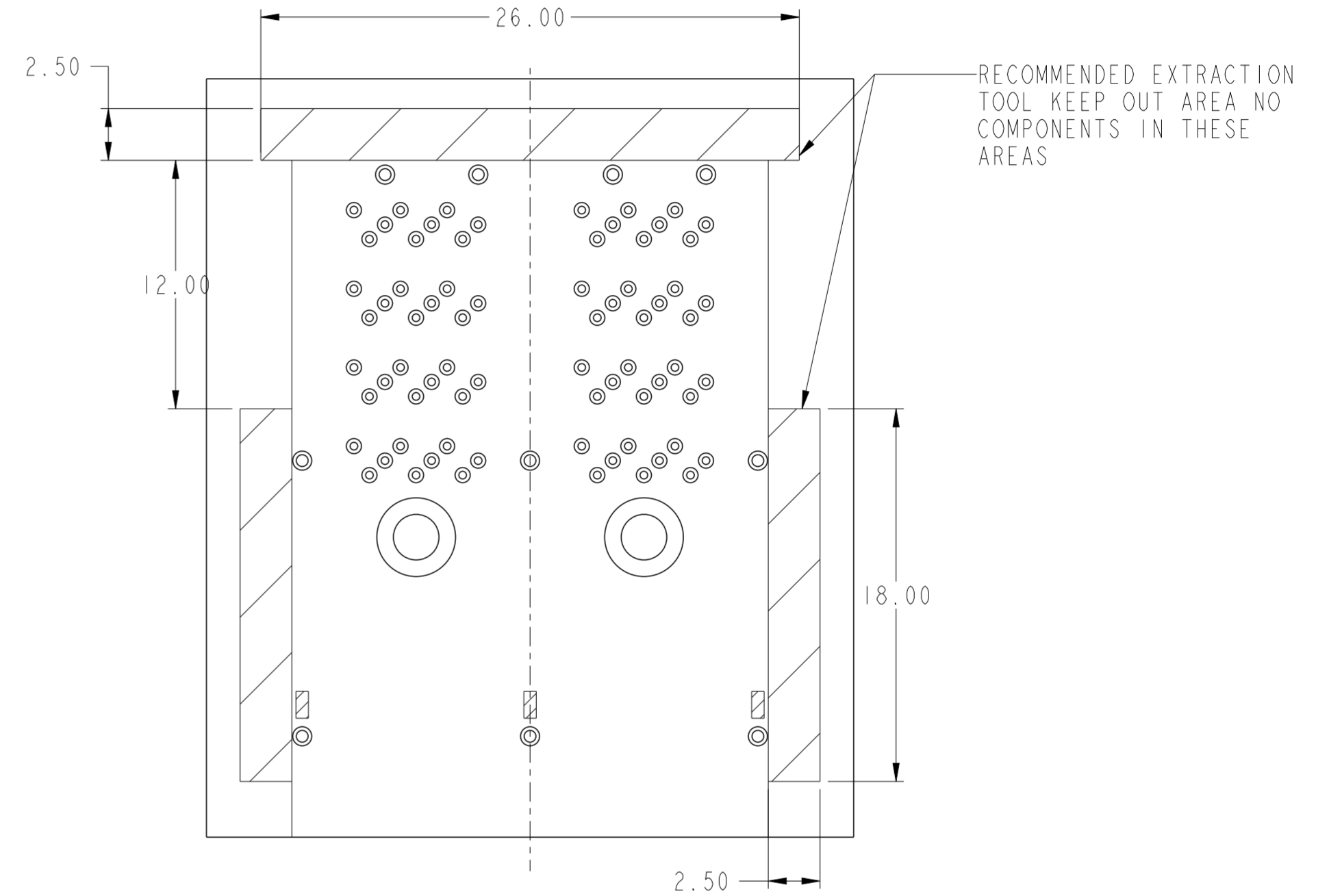
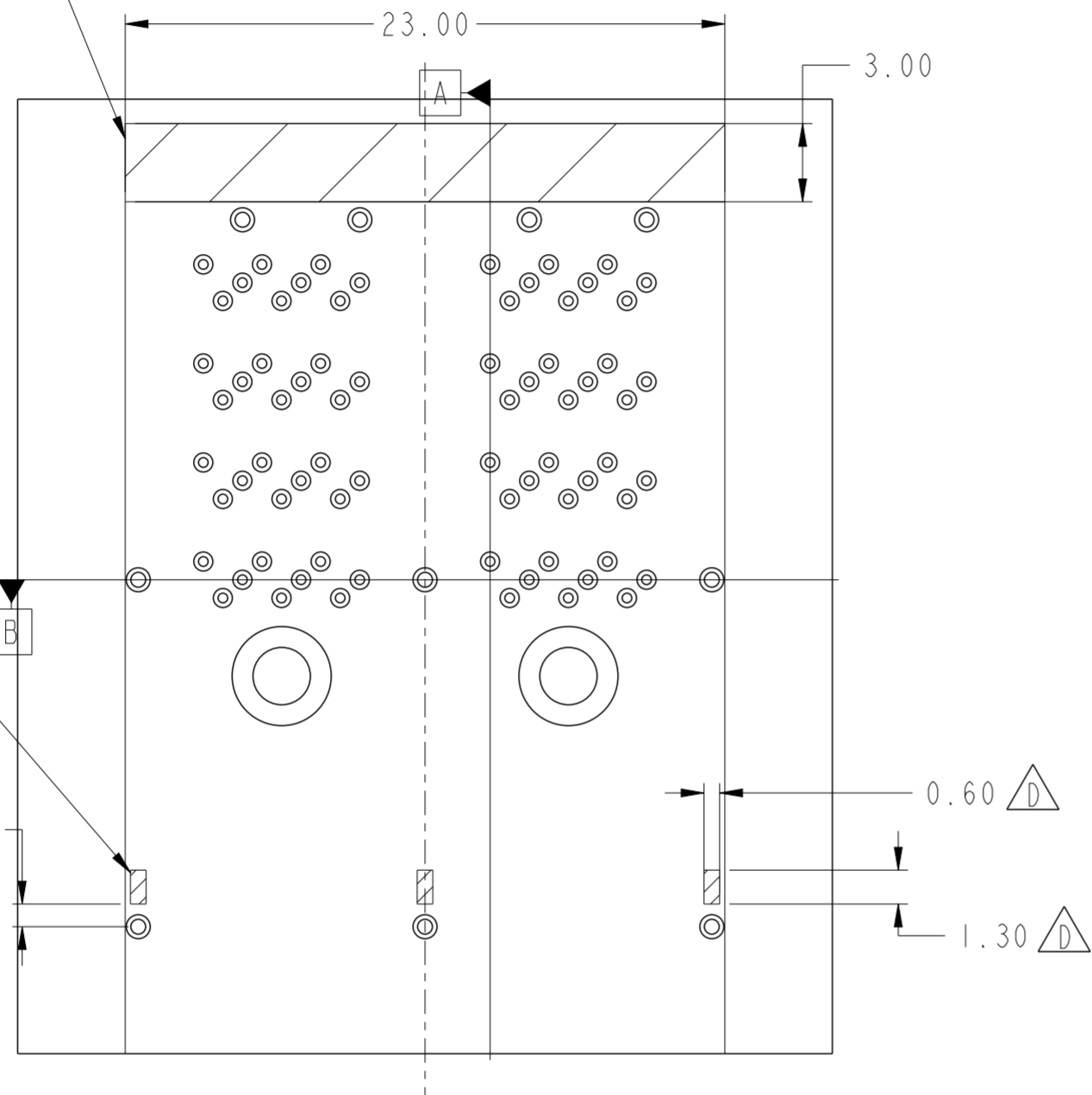


- NOTES:
- RECOMMENDED DRILL SIZE FOR A  $\varnothing 0.37$  FINISHED PTH IS  $\varnothing 0.457$ .
  - RECOMMENDED ANNULAR RING AROUND  $\varnothing 0.37$  FINISHED PTH IS  $\varnothing 0.73$ .
  - RECOMMENDED DRILL SIZE FOR A  $\varnothing 0.57$  FINISHED PTH IS  $\varnothing 0.68$ .
  - RECOMMENDED ANNULAR RING AROUND  $\varnothing 0.57$  FINISHED PTH IS  $\varnothing 0.93$ .
  - MINIMUM RECOMMENDED CENTER TO CENTER SPACING BETWEEN ADJACENT CONNECTORS: 25.00mm.
  - CONNECTOR KEEP OUT AREA.
  - MINIMUM PCB THICKNESS: 1.57mm.

spec ref	-	dr	Mark Gray	2010/08/04	projection	MM	size	A2	scale	1:1
tolerance std	ASME Y14.5	eng	M Scholeno	2012/09/10	chr	-	ecn no	ELX-V-012260-1	rel level	Released
surface	✓	appr	Brad Brubaker	2012/09/12	product family	MINI-SAS HD	cat. no.	10112627	rev	D
ASME Y14.5	linear	0.X	±0.25	0.XX	±0.13	0.XXX	±	angular	0°	±1/2°

# RECOMMENDED TOOLING KEEP OUT AREAS

RECOMMENDED INSERTION TOOL  
KEEP OUT AREA  
NO COMPONENTS IN THIS AREA  
MORE THAN 7.50mm TALL



KEEP OUT AREA

0.87

0.60

1.30

RECOMMENDED EXTRACTION  
TOOL KEEP OUT AREA NO  
COMPONENTS IN THESE  
AREAS

18.00

2.50

Copyright FCI.  
**FCI**

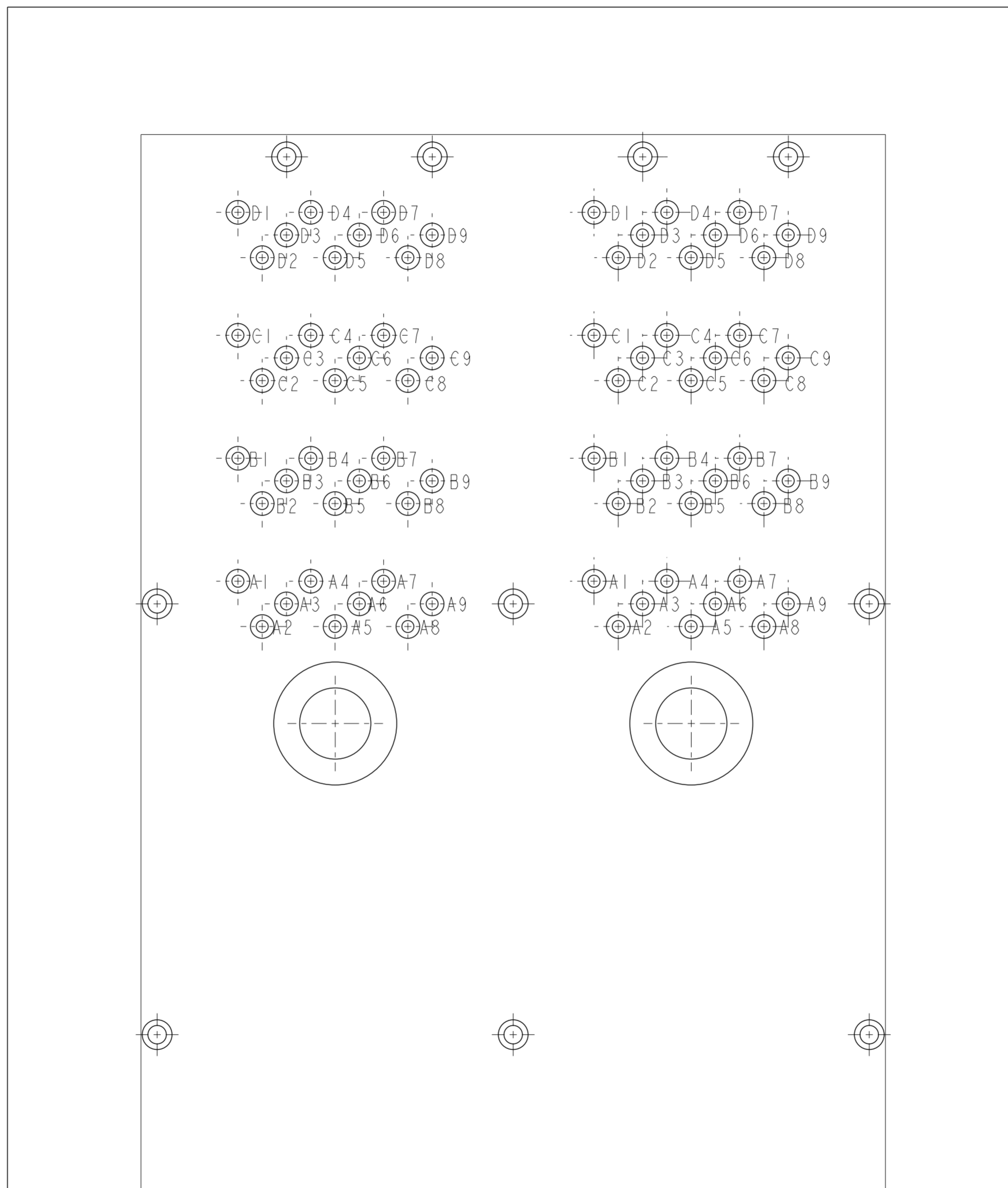
spec ref	-	dr	Mark Gray	2010/08/04	projection	MM	size	A2	scale	1:1
tolerance std	ASME Y14.5	eng	M Scholeno	2012/09/10			ecn no	ELX-V-012260-1	rel level	Released
TOLERANCES UNLESS OTHERWISE SPECIFIED		chr	-	appr						
surface	ASME Y14.5	linear	0.X	±0.25		title IX2 EXTERNAL ASSEMBLY MINI-SAS HD	dwg no 10112627	rev D	Product - Customer Drw	
			0.XX	±0.13					sheet 5 of 7	
			0.XXX	±						
angular	0°	±1/2°	www.fci.com	cat. no.						

PDS: Rev :D

STATUS:Released

Printed: Sep 13, 2012

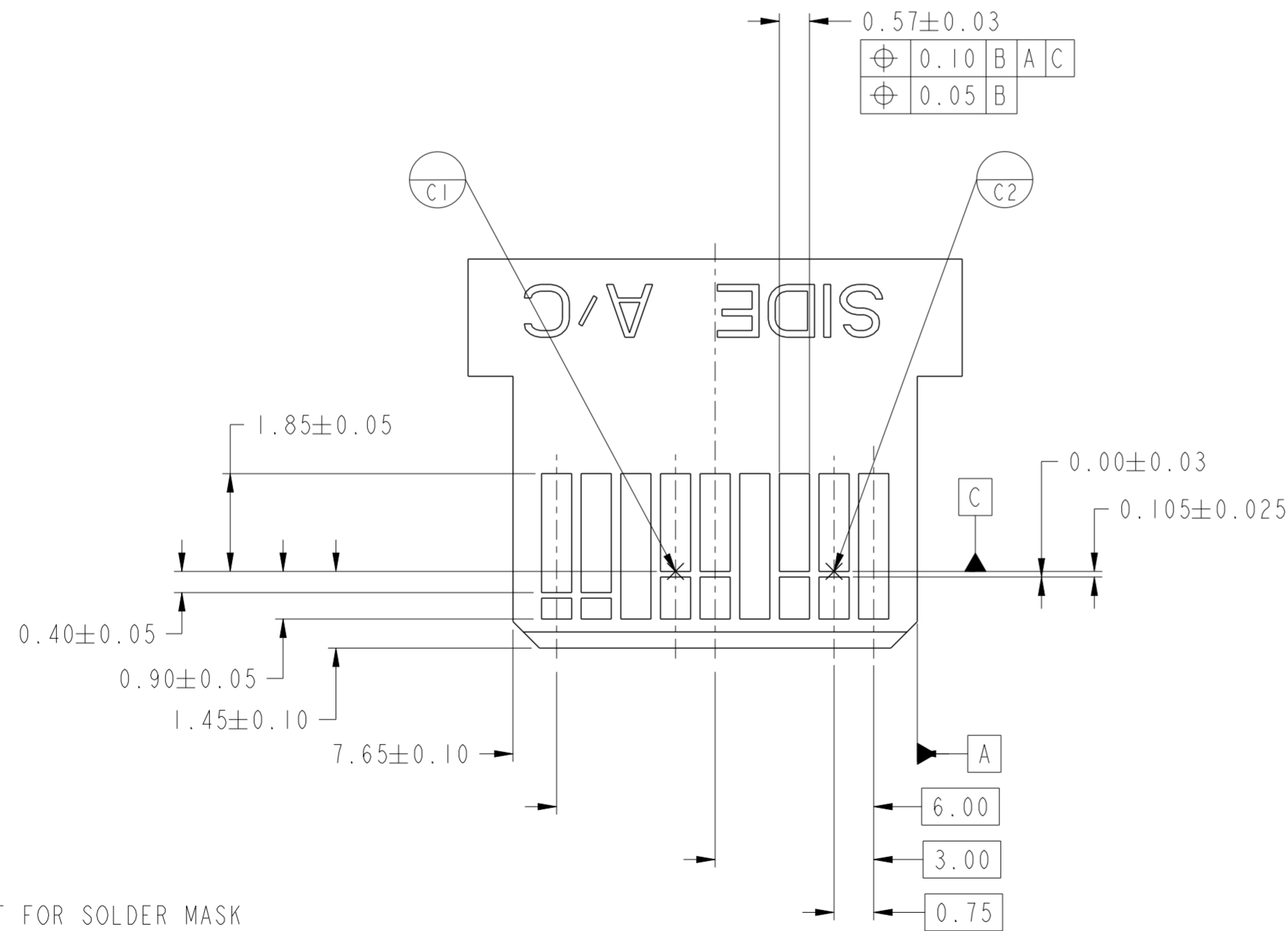
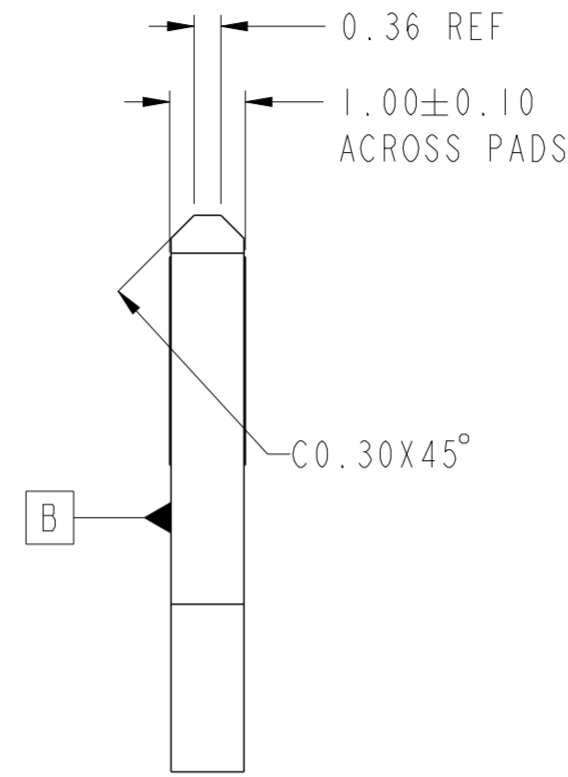
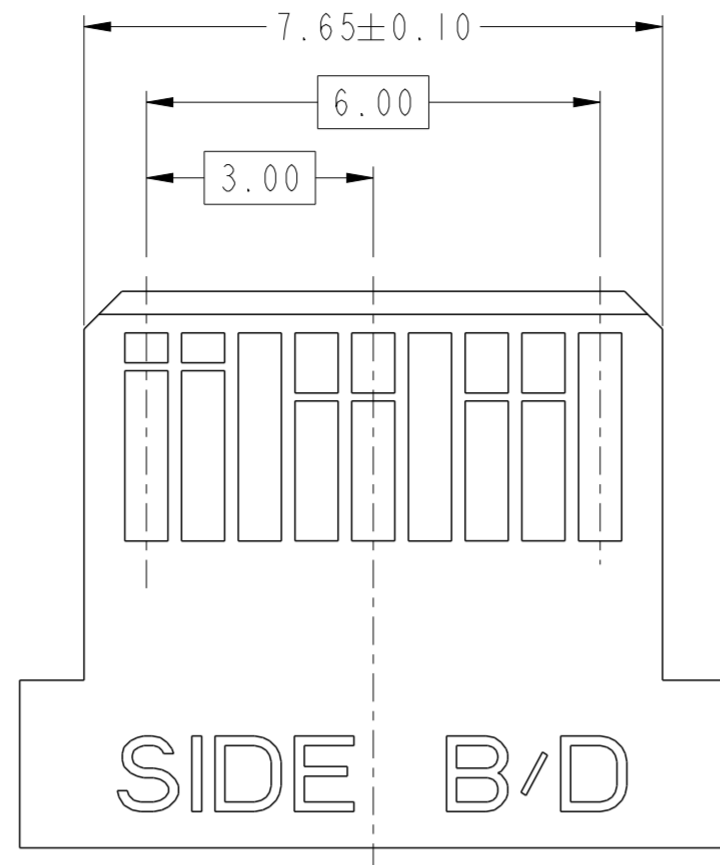
# PIN OUT DESIGNATIONS



spec ref	-	dr	Mark Gray	2010/08/04	projection	MM	size	A2	scale	1:1
tolerance std	ASME Y14.5	eng	M Scholeno	2012/09/10			ecn no	ELX-V-012260-1		
TOLERANCES UNLESS OTHERWISE SPECIFIED		chr	-	rel level				Released		
surface	✓	appr	Brad Brubaker	2012/09/12	product family	MINI-SAS HD	cat. no.	10112627	rev	D
ASME Y14.5	linear	0.X	±0.25	0.XX	±0.13	0.XXX	±	www.fci.com		
	angular	0°	±1/2°	Product - Customer Drw		sheet 6 of 7				



Copyright FCI.



- NOTES:
- 0.05 MINIMUM KEEP OUT FOR SOLDER MASK AROUND ALL PADS.
  - DATUM D TARGETS ARE DEFINED BY THE RESPECTIVE PAD CENTER LINES AND THE LEADING EDGE OF THE TARGET PADS.

spec ref	-	dr	Mark Gray	2010/08/04	projection	MM	size	A2	scale	1:1
tolerance std	ASME Y14.5	eng	M Scholeno	2012/09/10	chr	-	ecn no	ELX-V-012260-1	rel level	Released
surface	✓	appr	Brad Brubaker	2012/09/12	product family	MINI-SAS HD	cat. no.	10112627	rev	D
ASME Y14.5	linear	0.X	±0.25	0.XX	±0.13	0.XXX	±-	angular	0°	±1/2°