



Chipsmall Limited consists of a professional team with an average of over 10 year of expertise in the distribution of electronic components. Based in Hongkong, we have already established firm and mutual-benefit business relationships with customers from,Europe,America and south Asia,supplying obsolete and hard-to-find components to meet their specific needs.

With the principle of "Quality Parts,Customers Priority,Honest Operation,and Considerate Service",our business mainly focus on the distribution of electronic components. Line cards we deal with include Microchip,ALPS,ROHM,Xilinx,Pulse,ON,Everlight and Freescale. Main products comprise IC,Modules,Potentiometer,IC Socket,Relay,Connector.Our parts cover such applications as commercial,industrial, and automotives areas.

We are looking forward to setting up business relationship with you and hope to provide you with the best service and solution. Let us make a better world for our industry!



Contact us

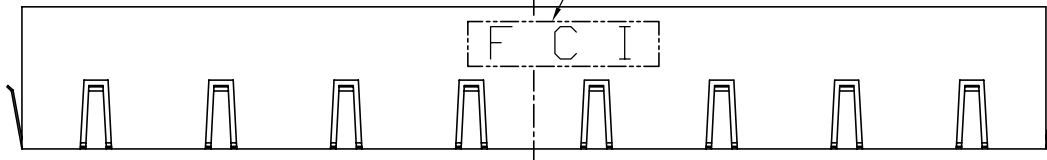
Tel: +86-755-8981 8866 Fax: +86-755-8427 6832

Email & Skype: info@chipsmall.com Web: www.chipsmall.com

Address: A1208, Overseas Decoration Building, #122 Zhenhua RD., Futian, Shenzhen, China



FCI LOGO (SEE NOTE 3)



114.3

97.79 (13.97x7 pitch)

13.97 TYP.

PIN 1

PIN 8

LED1 (OPTIONAL)

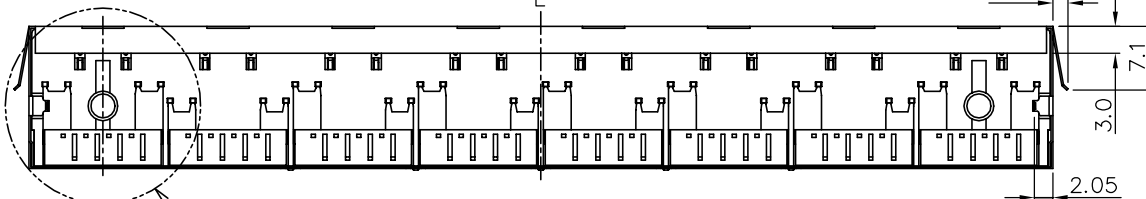
LED2 (OPTIONAL)

13.97 TYP.

55.88 (13.97x 4 pitch)

110.0

1.7



12.95

2.8

2.75±0.25

3.7

1.20

2.40

8.87

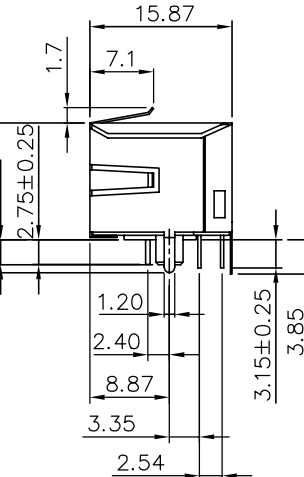
3.35

2.54

3.15±0.25

3.85

2.05

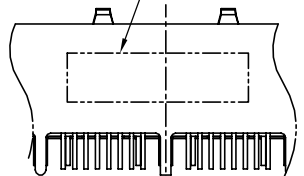


15.87

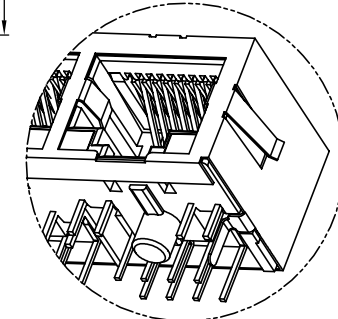
1.7

7.1

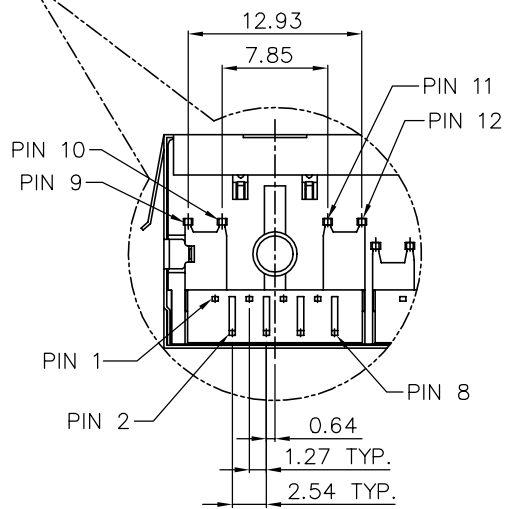
PRINT DATE CODE
SEE NOTE 4



BACK VIEW



PARTIAL VIEW



12.93

7.85

PIN 11

PIN 12

PIN 10

PIN 9

PIN 1

PIN 8

PIN 2

0.64

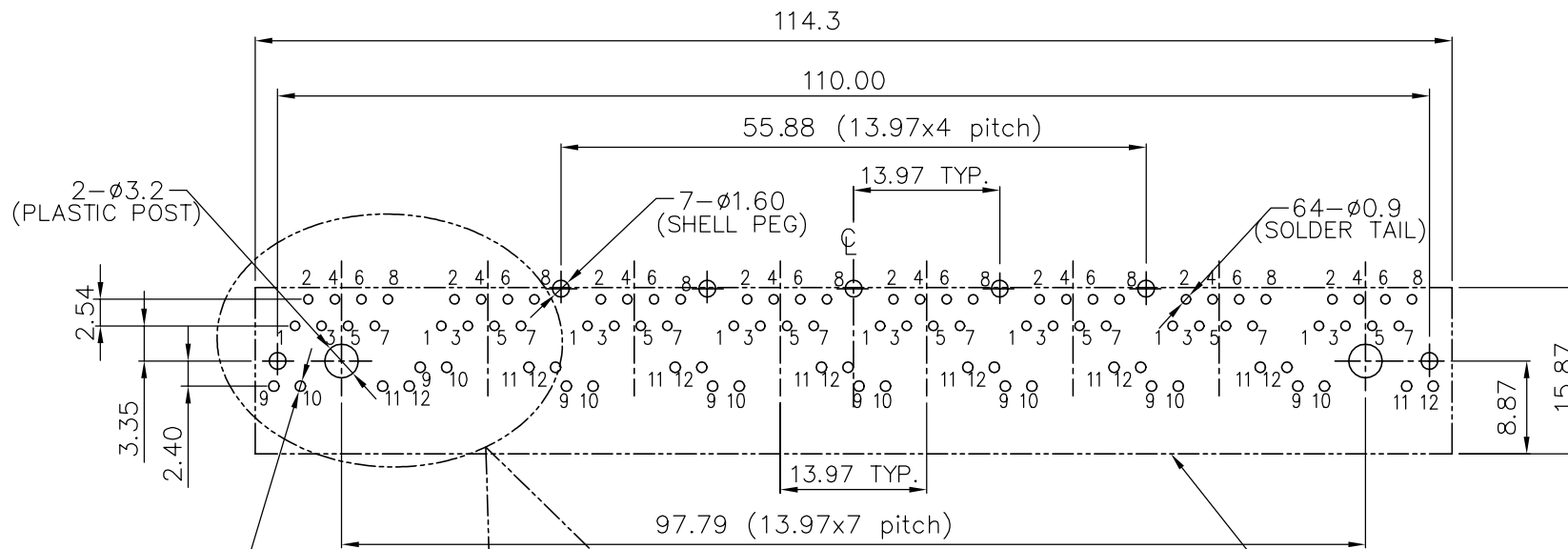
1.27 TYP.

2.54 TYP.



Copyright FCI.

mat'l. code				tolerances unless otherwise specified			CUSTOMER COPY		FCI www.fciconnect.com		
ltr	ecn no	dr	date	linear	.X ±0.25		projection 	title			
A	T10-0122	WL	08/02/10		.XX ±0.20			RJ 1x8 TAB DOWN WITH LED & EMI WITHOUT TRANSFORMER			
B	T10-0125	WL	08/05/10		.XXX ±0.15			product family			
C	ECN-ELX-N-008544	A.ZH	12/06/11	angles			MM ←→ scale	size		code	
				dr	WENDY CHEN	02/25/10		A4		10113616	NT
				engr	WENDY CHEN	02/25/10				sheet	1 of 3
				chr	GARY HSIEH	02/25/10					
				appd	JOSEPH HSIA	02/25/10					
sheet index	revision sheet		C								
			1~3								

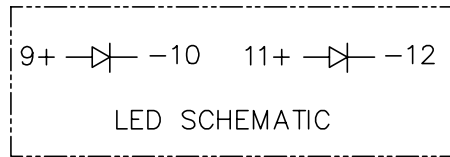
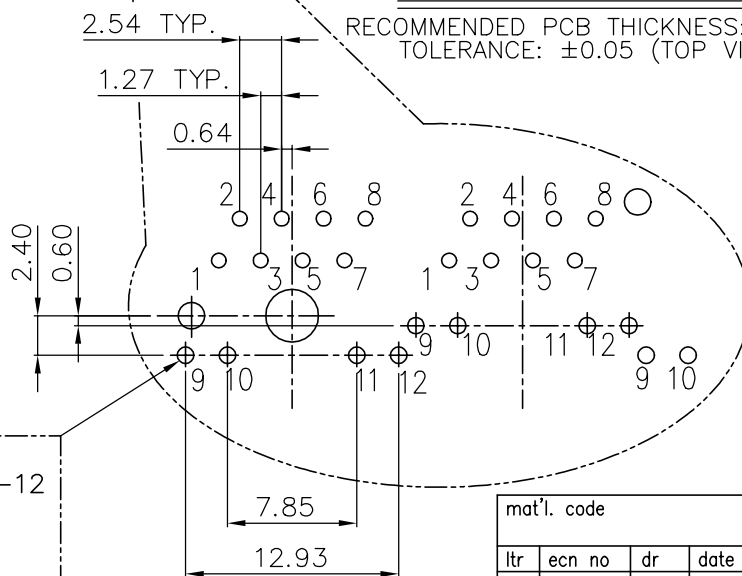


32-ø1.00
(LED SOLDER TAIL)

RECOMMENDED PCB LAYOUT

RECOMMENDED PCB THICKNESS: 1.6mm
TOLERANCE: ±0.05 (TOP VIEW)

KEEP OUT ZONE.
NO PATTERN UNDER THIS AREA.



mat'l. code				tolerances unless otherwise specified			CUSTOMER COPY		FCJ www.fcconnect.com	
ltr	ecn no	dr	date	linear	.X ±0.25		projection 	title		
C					.XX ±0.20			RJ 1x8 TAB DOWN WITH LED & EMI WITHOUT TRANSFORMER		
					.XXX ±0.15			product family		
				angles			MM	size		code
				dr	WENDY CHEN	02/25/10		A4		NT
				enr	WENDY CHEN	02/25/10	scale		sheet	
				chr	GARY HSIEH	02/25/10	10113616		2 of 3	
				appd	JOSEPH HSIA	02/25/10				
sheet index	revision sheet									



Copyright FCI.

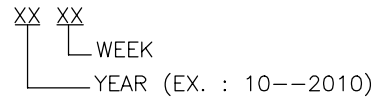
NOTE:

- 1. MATERIAL:
 - HOUSING: THERMOPLASTIC HIGH TEMPERATURE, UL 94V-0, COLOR-BLACK.
 - INSERT HOUSING: THERMOPLASTIC HIGH TEMPERATURE, UL 94V-0, COLOR-BLACK.
 - CONTACTS: COPPER ALLOY.
 - LED SOLDER TAIL: STEEL.
 - SHIELD: COPPER ALLOY.
- 2. FINISH:
 - CONTACTS: 50u" MIN. NICKEL UNDER PLATED OVER ALL. SELECTIVE GOLD PLATED ON CONTACT AREA, 1u" GOLD PLATED ON SOLDER TAIL.
 - LED SOLDER TAIL: 100u" MIN. MATTE TIN OVER 50u" NICKEL UNDER PLATED.
 - SHELL: 20u" MIN. NICKEL OVER ALL.

- 6. PRODUCT PERFORMANCE PER SPEC. : GS-12-0990.
- 7. PACKING SPEC. : GS-14-1503.
- 8. THIS PRODUCT MEETS THE EUROPEAN UNION DIRECTIVE AS DESCRIBED IN GS-22-008.
- 9. THE HOUSING WILL WITHSTAND EXPOSURE TO 265°C PEAK TEMPERATURE FOR 5 SECONDS IN A WAVE SOLDER APPLICATION WITH A CIRCUIT BOARD.

3. "FCI" LOGO IS STAMPED ON THE SHIELD.

4. "DATE CODE" DESCRIPTION:



5. PART NUMBER DESCRIPTION:

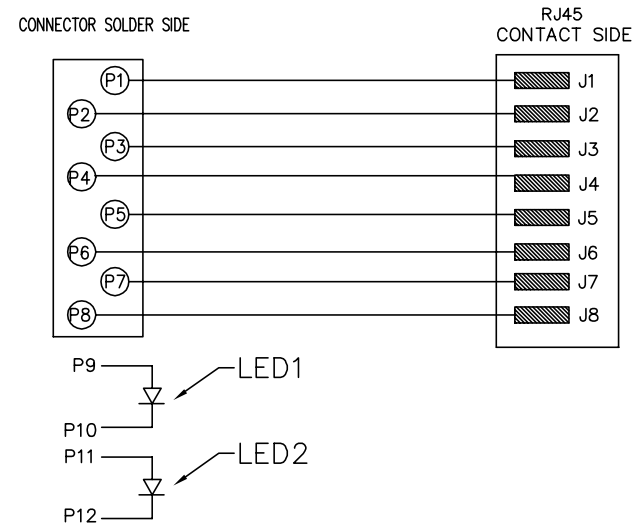
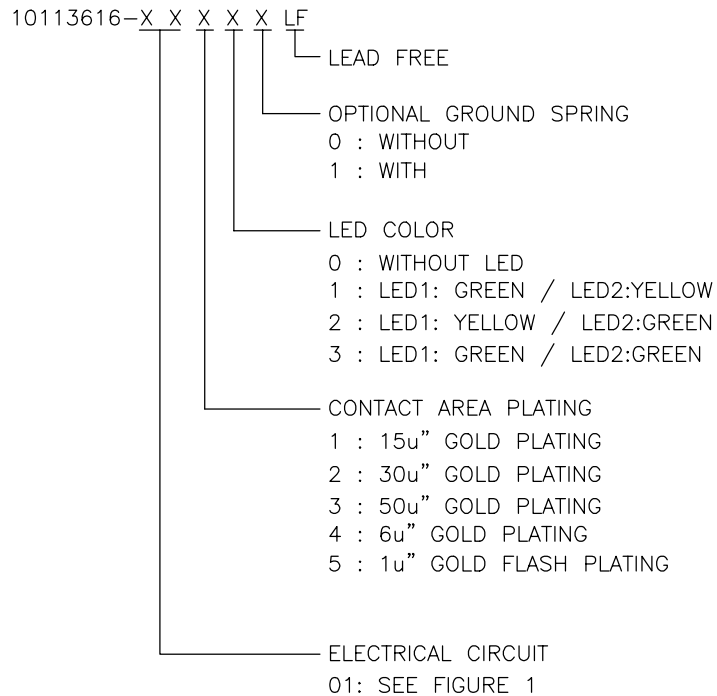


FIGURE 1

mat'l. code				tolerances unless otherwise specified			CUSTOMER COPY		FCI		www.fciconnect.com	
ltr	ecn no	dr	date	linear	.X ±0.25		projection	title RJ 1x8 TAB DOWN WITH LED & EMI WITHOUT TRANSFORMER				
C					.XX ±0.20							
					.XXX ±0.15							
				angles			MM	product family		code		
				dr	WENDY CHEN	02/25/10		size		NT		
				engr	WENDY CHEN	02/25/10	scale		sheet		3 of 3	
				chr	GARY HSIEH	02/25/10	A4		10113616			
				appd	JOSEPH HSIA	02/25/10						
sheet index	revision sheet											



Copyright FCI.

B

A

B