



Chipsmall Limited consists of a professional team with an average of over 10 year of expertise in the distribution of electronic components. Based in Hongkong, we have already established firm and mutual-benefit business relationships with customers from,Europe,America and south Asia,supplying obsolete and hard-to-find components to meet their specific needs.

With the principle of “Quality Parts,Customers Priority,Honest Operation,and Considerate Service”,our business mainly focus on the distribution of electronic components. Line cards we deal with include Microchip,ALPS,ROHM,Xilinx,Pulse,ON,Everlight and Freescale. Main products comprise IC,Modules,Potentiometer,IC Socket,Relay,Connector.Our parts cover such applications as commercial,industrial, and automotives areas.

We are looking forward to setting up business relationship with you and hope to provide you with the best service and solution. Let us make a better world for our industry!



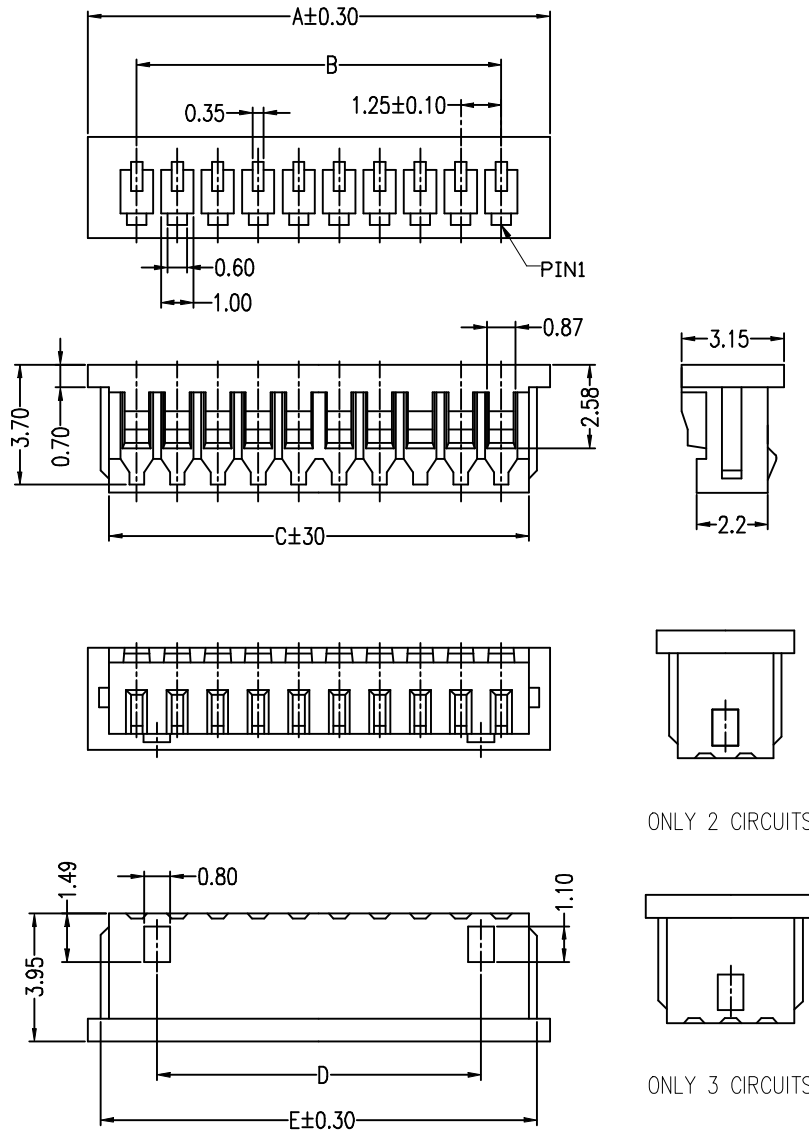
Contact us

Tel: +86-755-8981 8866 Fax: +86-755-8427 6832

Email & Skype: info@chipsmall.com Web: www.chipsmall.com

Address: A1208, Overseas Decoration Building, #122 Zhenhua RD., Futian, Shenzhen, China





NOTES:

- SPECIFICATIONS
 Current Rating: 1A AC,DC
 Voltage Rating: 125V AC,DC
 Temperature Range: -40°C ~ +105°C
 Contact Resistance: 20mΩ Max.
 Insulation Resistance: 100MΩ Min.
 Withstanding Voltage: 500V AC/minute
 Material: Natural Thermoplastic, UL94V-0
- Part number of terminal for wire assembly: 10114827
- Ordering Information & Dimensions:
 10114826- X 0 X XX LF

Material
 0: PA66 Natural
 1: PA66 Black
 2: PA66 Yellow
 3: PA66 Natural Glow
 Wire Compatible

Packaging
 0: Bulk

LF: See note A
 pin counts from 02~15

PART NO.	Dimensions				
	A	B	C	D	E
10114826-x0x02LF	4.25	1.25±0.05	2.95		3.47
10114826-x0x03LF	5.50	2.50±0.10	4.20		4.72
10114826-x0x04LF	6.75	3.75±0.10	5.45	2.50±0.10	5.97
10114826-x0x05LF	8.00	5.00±0.10	6.70	3.75±0.10	7.22
10114826-x0x06LF	9.25	6.25±0.15	7.95	5.00±0.15	8.47
10114826-x0x07LF	10.50	7.50±0.15	9.20	6.25±0.15	9.72
10114826-x0x08LF	11.75	8.75±0.15	10.45	7.50±0.15	10.97
10114826-x0x09LF	13.00	10.00±0.15	11.70	8.75±0.15	12.22
10114826-x0x10LF	14.25	11.25±0.20	12.95	10.00±0.20	13.47
10114826-x0x11LF	15.50	12.50±0.20	14.20	11.25±0.20	14.72
10114826-x0x12LF	16.75	13.75±0.20	15.45	12.50±0.20	15.97
10114826-x0x13LF	18.00	15.00±0.20	16.70	13.75±0.20	17.22
10114826-x0x14LF	19.25	16.25±0.20	17.95	15.00±0.20	18.47
10114826-x0x15LF	20.50	17.50±0.20	19.20	16.25±0.20	19.72

mat'l. code		surface ISO 1302 ✓		tolerance ISO 406 ISO 1101		projection		product family	
ltr		ecn no		dr		date		WTB	
A T10-0145		JH		12/1/10				title	
B ELX-N-23435		TIM		03/02/16		angles linear		WTB 1.25MM HOUSING	
C ELX-N-26408		TONY		03/17/17		0±2'		scale 1:1	
D ELX-N-27088		TONY		05/24/17		dr JASON HSU		12/1/10	
E ELX-N-30250		TONY		05/23/18		engr JASON HSU		12/1/10	
						chr GARY HSIEH		12/1/10	
						app JOSEPH HSIA		12/1/10	
sheet revision E		index sheet 1						dwg no	
								sheet 1 of 1	
								size A3	
								type Product Customer Drawing	