



Chipsmall Limited consists of a professional team with an average of over 10 year of expertise in the distribution of electronic components. Based in Hongkong, we have already established firm and mutual-benefit business relationships with customers from,Europe,America and south Asia,supplying obsolete and hard-to-find components to meet their specific needs.

With the principle of “Quality Parts,Customers Priority,Honest Operation,and Considerate Service”,our business mainly focus on the distribution of electronic components. Line cards we deal with include Microchip,ALPS,ROHM,Xilinx,Pulse,ON,Everlight and Freescale. Main products comprise IC,Modules,Potentiometer,IC Socket,Relay,Connector.Our parts cover such applications as commercial,industrial, and automotives areas.

We are looking forward to setting up business relationship with you and hope to provide you with the best service and solution. Let us make a better world for our industry!



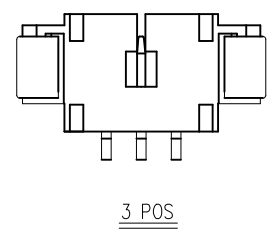
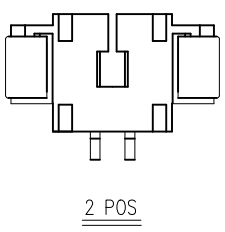
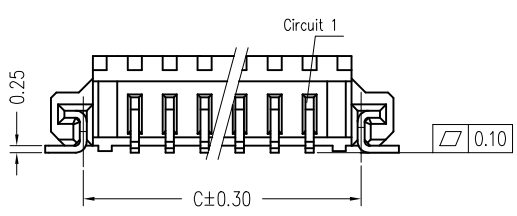
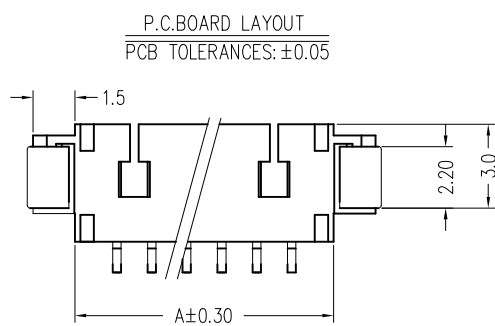
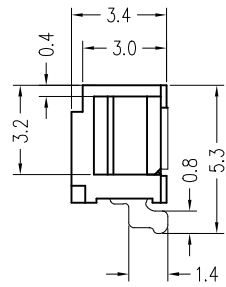
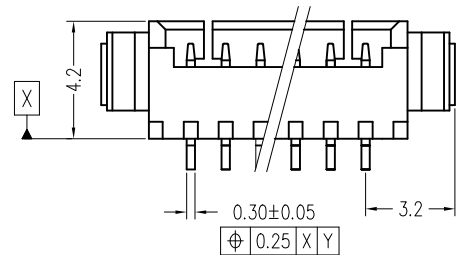
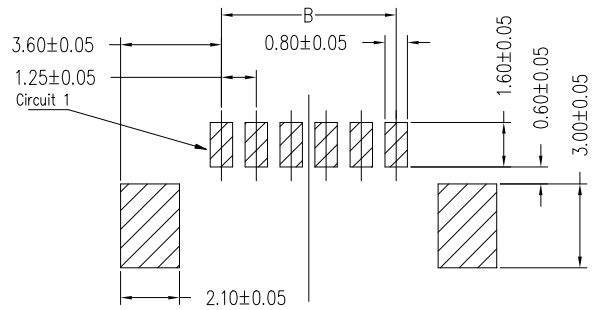
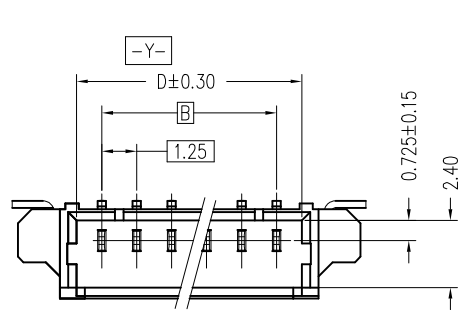
Contact us

Tel: +86-755-8981 8866 Fax: +86-755-8427 6832

Email & Skype: info@chipsmall.com Web: www.chipsmall.com

Address: A1208, Overseas Decoration Building, #122 Zhenhua RD., Futian, Shenzhen, China





- NOTES:
- SPECIFICATIONS**
 Current Rating: 1A AC,DC
 Voltage Rating: 125V AC,DC
 Temperature Range: -40°C ~ +105°C
 Contact Resistance: 20mΩ Max.
 Insulation Resistance: 100MΩ Min.
 Withstanding Voltage: 500V AC/minute
 - Material & finish:**
 Housing: Natural Thermoplastic, UL94V-0
 Contact and metal hold-down: Phosphor Bronze
 Plating of contact: Matte Tin or gold on contact area, 100u"Min. Matte Tin on tail, 50u"Min. Ni overall as underplating
 Plating of metal hold-down: 100u"Min. Matte Tin overall, 50u"Min. Nickel overall as underplating
 - Crimping application hand tool P/N:** 10118656-1000
 - Ordering Information & Dimensions:**
 10114830- X X X XX LF

Material
 1: LCP Natural
 Non Glow Wire Compatible
 2: LCP Natural
 Glow Wire Compatible
 3: LCP Black
 Glow Wire Compatible

Packaging
 1: Tape & Reel
 2: ESD Tape & Reel

Plating on contact
 0: Matte Tin 100u"
 1: Gold Flash
 2: Gold 15u"
 3: Gold 30u"

LF: See note A
 Pin counts from 02~15

PART NO.	Dimensions			
	A	B	C	D
10114830-xxx02LF	4.25	1.25±0.10	4.94	3.05
10114830-xxx03LF	5.50	2.50±0.10	6.19	4.30
10114830-xxx04LF	6.75	3.75±0.15	7.44	5.55
10114830-xxx05LF	8.00	5.00±0.10	8.69	6.80
10114830-xxx06LF	9.25	6.25±0.15	9.94	8.05
10114830-xxx07LF	10.50	7.50±0.15	11.19	9.30
10114830-xxx08LF	11.75	8.75±0.15	12.44	10.55
10114830-xxx09LF	13.00	10.00±0.15	13.69	11.80
10114830-xxx10LF	14.25	11.25±0.20	14.94	13.05
10114830-xxx11LF	15.50	12.50±0.20	16.19	14.30
10114830-xxx12LF	16.75	13.75±0.20	17.44	15.55
10114830-xxx13LF	18.00	15.00±0.20	18.69	16.80
10114830-xxx14LF	19.25	16.25±0.20	19.94	18.05
10114830-xxx15LF	20.50	17.50±0.20	21.19	19.30

Note A: The LF means RoHS compliance, the housing will withstand exposure to peak temperature 260 degree C for 5 sec in the IR re-flow process.

mat'l. code		surface ISO 1302 ✓		tolerance ISO 406 ISO		projection 1101		product family WTB	
ltr	ecn no	dr	date	tolerances unless otherwise specified		mm		title	
A	T10-0145	JH	12/1/10	angles	.0±.25	← mm →		WTB 1.25MM WAFER 90° SMT	
F	ELX-N-20168	TIM	02/03/15	linear	.00±.15	scale 1:1		dwg no	
G	ELX-N-21788	TIM	08/27/15	0'±2'	.000±			sheet 1 of 1	
H	ELX-N-27088	TONY	05/24/17	dr	JASON HSU	12/1/10		size	
J	ELX-N-27325	TONY	06/26/17	engr	JASON HSU	12/1/10		10114830	
K	ELX-N-29884	TONY	04/17/17	chr	GARY HSIEH	12/1/10		A3	
L	ELX-N-30309	TONY	05/28/18	app	JOSEPH HSIA	12/1/10		type Product Customer Drawing	
sheet	revision	L							
index	sheet	1							